

NOTICE

All instructions, warranties and other collateral documents are subject to change at the sole discretion of Horizon Hobby, LLC. For up-to-date product literature, visit horizonhobby.com and click on the support tab for this product.

Meaning of Special Language

The following terms are used throughout the product literature to indicate various levels of potential harm when operating this product:

- NOTICE:** Procedures, which if not properly followed, create a possibility of physical property damage AND a little or no possibility of injury.
- CAUTION:** Procedures, which if not properly followed, create the probability of physical property damage AND a possibility of serious injury.
- WARNING:** Procedures, which if not properly followed, create the probability of property damage, collateral damage, and serious injury OR create a high probability of superficial injury.

WARNING: Read the ENTIRE instruction manual to become familiar with the features of the product before operating. Failure to operate the product correctly can result in damage to the product, personal property and cause serious injury.

This is a sophisticated hobby product. It must be operated with caution and common sense and requires some basic mechanical ability. Failure to operate this Product in a safe and responsible manner could result in injury or damage to the product or other property. This product is not intended for use by children without direct adult supervision. Do not attempt disassembly, use with incompatible components or augment product in any way without the approval of Horizon Hobby, LLC. This manual contains instructions for safety, operation and maintenance. It is essential to read and follow all the instructions and warnings in the manual, prior to assembly, setup or use, in order to operate correctly and avoid damage or serious injury.

WARNING AGAINST COUNTERFEIT PRODUCTS: Always purchase from a Horizon Hobby, LLC authorized dealer to ensure authentic high-quality Spektrum product. Horizon Hobby, LLC disclaims all support and warranty with regards, but not limited to, compatibility and performance of counterfeit products or products claiming compatibility with DSM® or Spektrum technology.

NOTICE: This product is only intended for use with unmanned, hobby-grade, remote-controlled vehicles and aircraft. Horizon Hobby disclaims all liability outside of the intended purpose and will not provide warranty service related thereto.

Age Recommendation: Not for children under 14 years. This is not a toy.

Pilot Safety Precautions and Warnings

- Always make sure all batteries are fully charged before flying.
- Time flights so you can fly safely within the time allotted by your battery.
- Make sure all control surfaces correctly respond to transmitter controls before flying.
- Do NOT fly a model near spectators, parking areas or any other area that could result in injury to people or damage to property.
- Do NOT fly during adverse weather conditions. Poor visibility, wind, moisture and ice can cause pilot disorientation and/or loss of control of a model.
- When a flying model does not respond correctly to controls, land the model and correct the cause of the problem.

Battery and Charging Warnings

Failure to exercise caution while using this product and comply with the following warnings could result in product malfunction, electrical issues, excessive heat, FIRE, and ultimately injury and property damage.

- Read all safety precautions and literature prior to use of this product
- Never** allow minors to charge battery packs
- Never** drop charger or batteries
- Never** attempt to charge damaged batteries
- Never** attempt to charge a battery pack containing different types of batteries
- Never** charge a battery if the cable has been pinched or shorted
- Never** allow batteries or battery packs to come into contact with moisture at any time
- Never** charge batteries in extremely hot or cold places (recommended between 50–80° F or 10–27° C) or place in direct sunlight

- Always** disconnect the battery after charging, and let the charger cool between charges
- Always** inspect a new battery before charging
- Always** terminate all processes and contact Horizon Hobby if the product malfunctions
- Always** keep batteries and charger away from any material that could be affected by heat (such as ceramic and tile), as they can get hot
- Always** end the charging process if the charger or battery becomes hot to the touch or starts to change form (swell) during the charge process

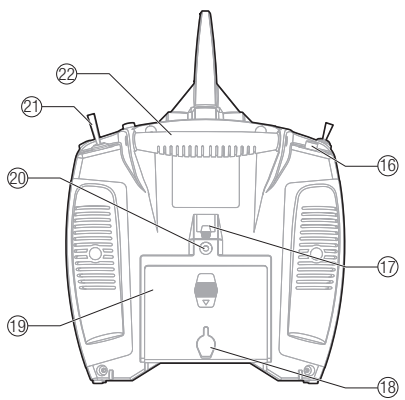
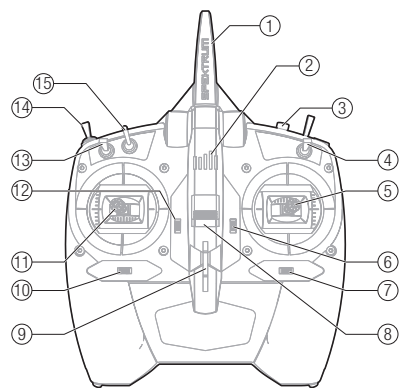
CAUTION: If using rechargeable batteries, charge only rechargeable batteries. Charging non-rechargeable batteries may cause the batteries to burst, resulting in injury to persons and/or damage to property.

CAUTION: Risk of explosion if battery is replaced by an incorrect type. Dispose of used batteries according to national regulations.

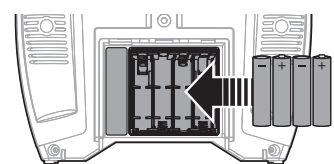
Transmitter Control

1	Antenna
2	LED
3	Wireless Trainer Bind Button
4	Dual Rate Switch (2 pos switch)
5	Throttle/Aileron Stick (Throttle/Roll: Mode 1) Elevator/Aileron Stick (Pitch/Roll: Mode 2)
5	Throttle/Rudder Stick (Throttle/Yaw: Mode 3) Elevator/Rudder Stick (Pitch/Yaw: Mode 4)
6	Elevator Trim (Pitch: Mode 2,4) Throttle Trim (Mode 1,3)
7	Aileron Trim (Roll: Mode 1,2) Rudder Trim (Yaw: Mode 3,4)
8	Power Switch
9	Neck Strap Mount
10	Rudder Trim (Yaw: Mode 1, 2) Aileron Trim (Roll: Mode 3, 4)

11	Elevator/Rudder Stick (Pitch/Yaw: Mode 1) Throttle/Rudder Stick (Throttle/Yaw: Mode 2) Elevator/Aileron Stick (Pitch/Roll: Mode 3) Throttle/Aileron Stick (Throttle/Roll: Mode 4)
12	Throttle Trim (Mode 2) Elevator Trim (Mode 1)
13	Aux Switch (2 pos switch)
14	Flight Mode Switch (3 pos switch)
15	Flap Switch (3 pos switch)
16	Bind/Panic Button
17	Programming Port
18	Optional Lithium Ion Battery Charge Port
19	Battery Cover
20	Trainer Port
21	Motor/ Throttle Cut Switch (2 pos switch)
22	Handle



Installing the Transmitter Batteries

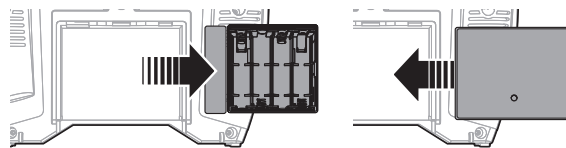


- Remove battery cover from the back of the transmitter.
- Install 4 AA batteries into battery holder.
- Install the battery cover.

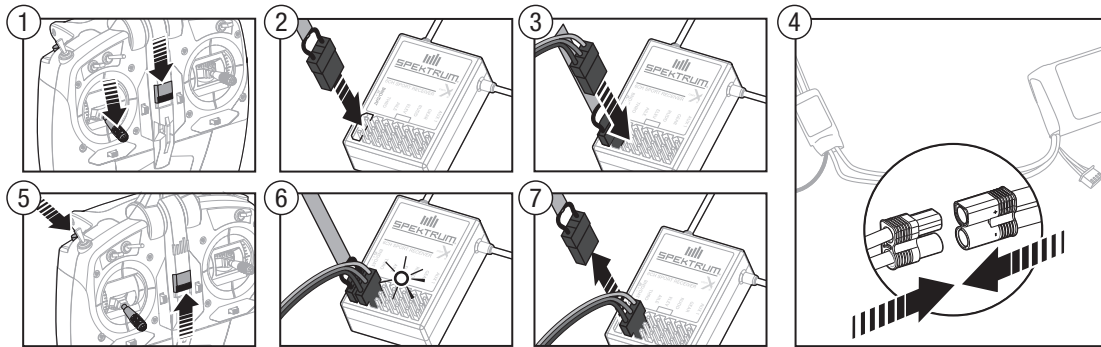
Optional Lithium Ion Battery Pack

- Remove battery cover from the back of the transmitter.
- Remove the AA battery holder and disconnect from the transmitter power port.
- Remove the Rectangle shaped foam and flat foam from the battery compartment.
- Connect the battery pack (SPMA9602) to the transmitter power port.
- Install the optional Lithium Ion battery pack into the transmitter. Use care not to pinch the wires.
- Install the battery cover.

CAUTION: Never connect an external battery charger to your DxE transmitter.
CAUTION: Never leave a charging battery unattended.
CAUTION: Never charge a battery overnight.



Transmitter and Receiver Binding

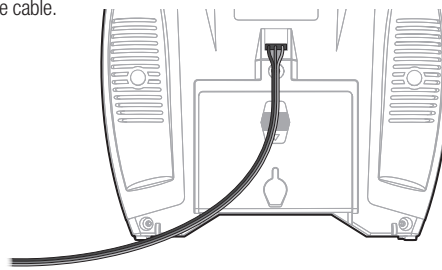


- Lower the throttle to the lowest position and make sure the transmitter is powered off.
- Insert the bind plug into the BIND/DATA port.
- Insert the ESC plug into the THRO port.
- Connect the battery to ESC and turn on the ESC switch, if available. The receiver's LED will flash rapidly when the receiver is ready to bind.
- While pressing the Bind button, power on the transmitter.
- Release the Bind button after the receiver's LED stays illuminated. This indicates the receiver is bound to the transmitter.
- Remove the bind plug from the receiver.

Transmitter Programming

You can configure the DxE transmitter for different aircraft using the Spektrum™ interface cable.

- Download the transmitter programming application from SpektrumRC.com or from your mobile device (iOS or Android).
- Power on the transmitter.
- Open the transmitter programming application.
- Connect the interface cable to the transmitter and mobile device.
- Use the application to program the transmitter.
- Press "Update" in the application to save the transmitter programming.



Mode Conversion

You can change transmitter modes among Modes 1, 2, 3 and 4. This conversion requires both a programming and a mechanical change.

Programming Conversion:

- Download the DxE application from SpektrumRC.com or from your mobile device (iOS or Android).
- Power on the transmitter.
- Open the DxE application.
- Connect the interface cable to the transmitter and the device.
- Use the application to program the Mode Change 1,2,3 or 4.
- Press "Update" in the application to save the programming.

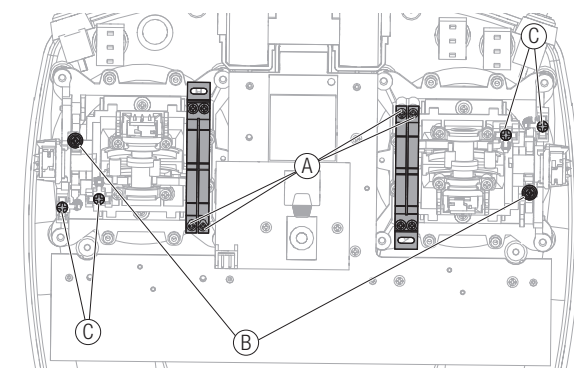
Mechanical Conversion:

Mechanical conversion is required to change between Modes 1 and 2 or between Modes 3 and 4. The mechanical conversion consists of the following steps:

- Change the Throttle Ratchet (A)
- Adjust the Elevator Centering Screw (B)

Changing the Throttle Ratchet:

- Disconnect the battery holder or optional battery from the transmitter and set aside.
- Remove the six Phillips head screws that secure the rear transmitter case half.
- Put the transmitter face down on a piece of foam or a towel and remove the rear case.



NOTICE: Do not pull or disconnect any of the wires attached to the back transmitter half or damage may result.

- Locate the silver throttle friction straps (A) on both gimbals. One strap engages a serrated section on the gimbal for a ratcheted throttle, while the other strap engages the smooth section on the gimbal.
- To change the throttle ratchet, loosen the throttle strap so it does not touch the throttle gimbal. Tighten the opposite throttle strap to engage the desired throttle ratchet.

Adjusting the Elevator Centering Screw

When changing between Modes 1 and 2, or between Modes 3 and 4, you must adjust the elevator centering screw (B).

- Hold the Elevator or Throttle stick in the full up or full down position when you are adjusting the elevator centering screw. Holding the gimbal stick reduces the load on the elevator centering mechanism and makes it easier to adjust the centering screw.
- Locate the gimbal where the elevator centering spring is engaged. Use a Phillips screwdriver to tighten the elevator centering screw. Tightening the screw will disengage the centering spring.
- Using a Phillips screwdriver, loosen the opposite elevator centering screw until the lever engages.

Adjust Stick Tension

- Disconnect the battery holder or optional battery from the transmitter and set aside.
- Remove the six Phillips head screws that secure the rear transmitter case half.
- Put the transmitter face down on a piece of foam or a towel and remove the rear case.
- Tighten or loosen the screws (C) a small amount using a small Phillips screwdriver.

NOTICE: Always do a test of stick tension while turning these screws to ensure stick tension is not too loose or too tight. Tightening a screw too much can damage a spring. Loosening a screw too much can let a spring fall off and cause short-circuit in the transmitter.

CAUTION: Always power off the transmitter, disconnect and remove the battery before adjusting stick tension or friction straps. Not doing so could result in property damage or injury.

Limited Warranty

What this Warranty Covers

Horizon Hobby, LLC, (Horizon) warrants to the original purchaser that the product purchased (the "Product") will be free from defects in materials and workmanship at the date of purchase.

What is Not Covered

This warranty is not transferable and does not cover (i) cosmetic damage, (ii) damage due to acts of God, accident, misuse, abuse, negligence, commercial use, or due to improper use, installation, operation or maintenance, (iii) modification of or to any part of the Product, (iv) attempted service by anyone other than a Horizon Hobby authorized service center, (v) Product not purchased from an authorized Horizon dealer, (vi) Product not compliant with applicable technical regulations, or (vii) use that violates any applicable laws, rules, or regulations. OTHER THAN THE EXPRESS WARRANTY ABOVE, HORIZON MAKES NO OTHER WARRANTY OR REPRESENTATION, AND HEREBY DISCLAIMS ANY AND ALL IMPLIED WARRANTIES, INCLUDING, WITHOUT LIMITATION, THE IMPLIED WARRANTIES OF NON-INFRINGEMENT, MERCHANTABILITY AND FITNESS FOR A PARTICULAR PURPOSE. THE PURCHASER ACKNOWLEDGES THAT THEY ALONE HAVE DETERMINED THAT THE PRODUCT WILL SUITABLY MEET THE REQUIREMENTS OF THE PURCHASER'S INTENDED USE.

Purchaser's Remedy

Horizon's sole obligation and purchaser's sole and exclusive remedy shall be that Horizon will, at its option, either (i) service, or (ii) replace, any Product determined by Horizon to be defective. Horizon reserves the right to inspect any and all Product(s) involved in a warranty claim. Service or replacement decisions are at the sole discretion of Horizon. Proof of purchase is required for all warranty claims. SERVICE OR REPLACEMENT AS PROVIDED UNDER THIS WARRANTY IS THE PURCHASER'S SOLE AND EXCLUSIVE REMEDY.

Limitation of Liability

HORIZON SHALL NOT BE LIABLE FOR SPECIAL, INDIRECT, INCIDENTAL OR CONSEQUENTIAL DAMAGES, LOSS OF PROFITS OR PRODUCTION OR COMMERCIAL LOSS IN ANY WAY, REGARDLESS OF WHETHER SUCH CLAIM IS BASED IN CONTRACT, WARRANTY, TORT, NEGLIGENCE, STRICT LIABILITY OR ANY OTHER THEORY OF LIABILITY, EVEN IF HORIZON HAS BEEN ADVISED OF THE POSSIBILITY OF SUCH DAMAGES. Further, in no event shall the liability of Horizon exceed the individual price of the Product on which liability is asserted. As Horizon has no control over use, setup, final assembly, modification or misuse, no liability shall be assumed nor accepted for any resulting damage or injury. By the act of use, setup or assembly, the user accepts all resulting liability. If you as the purchaser or user are not prepared to accept the liability associated with the use of the Product, purchaser is advised to return the Product immediately in new and unused condition to the place of purchase.

Law

These terms are governed by Illinois law (without regard to conflict of law principals). This warranty gives you specific legal rights, and you may also have other rights which vary from state to state. Horizon reserves the right to change or modify this warranty at any time without notice.

WARRANTY SERVICES

Questions, Assistance, and Services

Your local hobby store and/or place of purchase cannot provide warranty support or service. Once assembly, setup or use of the Product has been started, you must contact your local distributor or Horizon directly. This will enable Horizon to better answer your questions and service you in the event that you may need any assistance.

Warranty and Service Contact Information

Country of Purchase	Horizon Hobby	Contact Information	Address
United States of America	Horizon Service Center (Repairs and Repair Requests)	servicecenter.horizonhobby.com/RequestForm/	4105 Fieldstone Rd Champaign, Illinois, 61822 USA
	Horizon Product Support (Product Technical Assistance)	www.quickbase.com/db/bghj7ey8c?a=GenNewRecord 888-959-2304	
	Sales	sales@horizonhobby.com 888-959-2304	
United Kingdom	Service/Parts/Sales: Horizon Hobby Limited	sales@horizonhobby.co.uk +44 (0) 1279 641 097	Units 1-4 , Ployters Rd, Staple Tye Harlow, Essex, CM18 7NS, United Kingdom
Germany	Horizon Technischer Service Sales: Horizon Hobby GmbH	service@horizonhobby.de +49 (0) 4121 2655 100	Christian-Junge-Straße 1 25337 Elmshorn, Germany
France	Service/Parts/Sales: Horizon Hobby SAS	infofrance@horizonhobby.com +33 (0) 1 60 18 34 90	11 Rue Georges Charpak 71727 Lieusaint, France
China	Service/Parts/Sales: Horizon Hobby — China	info@horizonhobby.com.cn +86 (021) 5180 9868	Room 506, No. 97 Changshou Rd. Shanghai, China 200060

FCC Information

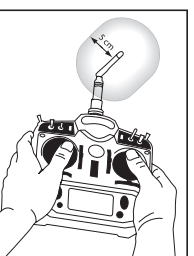
This device complies with part 15 of the FCC rules. Operation is subject to the following two conditions: (1) This device may not cause harmful interference, and (2) this device must accept any interference received, including interference that may cause undesired operation.

CAUTION: Changes or modifications not expressly approved by the party responsible for compliance could void the user's authority to operate the equipment.

This product contains a radio transmitter with wireless technology which has been tested and found to be compliant with the applicable regulations governing a radio transmitter in the 2.400GHz to 2.4835GHz frequency range.

Antenna Separation Distance

When operating your Spektrum transmitter, please be sure to maintain a separation distance of at least 5 cm between your body (excluding fingers, hands, wrists, ankles and feet) and the antenna to meet RF exposure safety requirements as determined by FCC regulations. The following illustrations show the approximate 5 cm RF exposure area and typical hand placement when operating your Spektrum transmitter.



IC Information

This device complies with Industry Canada license-exempt RSS standard(s). Operation is subject to the following two conditions:

(1) this device may not cause interference, and (2) this device must accept any interference, including interference that may cause undesired operation of the device.

FAA Information

Prior to flying, contact your local or regional modeling organizations for guidance and familiarize yourself with the current local rules and FAA regulations governing model aviation in your location.

More information about model aviation can be found at www.modelaircraft.org. The Federal Aviation Administration can be found online at www.faa.gov.

AMA National Model Aircraft Safety Code

<http://www.modelaircraft.org/files/105.PDF>

EU COMPLIANCE STATEMENT:

Horizon Hobby, LLC hereby declares that this product is in compliance with the essential requirements and other relevant provisions of the R&TTE and EMC Directive. A copy of the EU Declaration of Conformity is available online at: <http://www.horizonhobby.com/content/support-render-compliance>.

Instructions for disposal of WEEE by users in the European Union

This product must not be disposed of with other waste. Instead, it is the user's responsibility to dispose of their waste equipment by handing it over to a designated collections point for the recycling of waste electrical and electronic equipment. The separate collection and recycling of your waste equipment at the time of disposal will help to conserve natural resources and ensure that it is recycled in a manner that protects human health and the environment. For more information about where you can drop off your waste equipment for recycling, please contact your local city office, your household waste disposal service or where you purchased the product.

DE

HINWEIS

Alle Anweisungen, Garantien und anderen zugehörigen Dokumente können im eigenen Ermessen von Horizon Hobby, LLC jederzeit geändert werden. Die aktuelle Produktliteratur finden Sie auf horizonhobby.com unter der Registerkarte „Support“ für das betreffende Produkt.

Spezielle Bedeutungen

Die folgenden Begriffe werden in der gesamten Produktliteratur verwendet, um auf unterschiedlich hohe Gefahrenrisiken beim Betrieb dieses Produkts hinzuweisen:
HINWEIS: Wenn diese Verfahren nicht korrekt befolgt werden, können sich möglicherweise Sachschäden UND geringe oder keine Gefahr von Verletzungen ergeben.
ACHTUNG: Wenn diese Verfahren nicht korrekt befolgt werden, ergeben sich wahrscheinlich Sachschäden UND die Gefahr von schweren Verletzungen.
WARNUNG: Wenn diese Verfahren nicht korrekt befolgt werden, ergeben sich wahrscheinlich Sachschäden, Kollateralschäden und schwere Verletzungen ODER mit hoher Wahrscheinlichkeit oberflächliche Verletzungen.

WARNUNG: Lesen Sie die GESAMTE Bedienungsanleitung, um sich vor dem Betrieb mit den Produktfunktionen vertraut zu machen. Wird das Produkt nicht korrekt betrieben, kann dies zu Schäden am Produkt oder persönlichem Eigentum führen oder schwere Verletzungen verursachen.

Dies ist ein hochentwickeltes Hobby-Produkt. Es muss mit Vorsicht und gesundem Menschenverstand betrieben werden und benötigt gewisse mechanische Grundfähigkeiten. Wird dieses Produkt nicht auf eine sichere und verantwortungsvolle Weise betrieben, kann dies zu Verletzungen oder Schäden am Produkt oder anderen Sachwerten führen. Dieses Produkt eignet sich nicht für die Verwendung durch Kinder ohne direkte Überwachung eines Erwachsenen. Versuchen Sie nicht ohne Genehmigung durch Horizon Hobby, LLC, das Produkt zu zerlegen, es mit inkompatiblen Komponenten zu verwenden oder auf jegliche Weise zu erweitern. Diese Bedienungsanleitung enthält Anweisungen für Sicherheit, Betrieb und Wartung. Es ist unbedingt notwendig, vor Zusammenbau, Einrichtung oder Verwendung alle Anweisungen und Warnhinweise im Handbuch zu lesen und zu befolgen, damit es bestimmungsgemäß betrieben werden kann und Schäden oder schwere Verletzungen vermieden werden.

Warnung zu gefälschten Produkten: Bitte kaufen Sie Ihre Spektrum Produkte immer von einem autorisiertem Händler um sicherzu stellen, dass Sie ein authentisches hochqualitatives original Spektrum Produkt gekauft haben. Horizon Hobby lehnt jede Unterstützung, Service oder Garantieleistung von gefälschten Produkten oder Produkten ab die von sich in Anspruch nehmen kompatibel mit Spektrum oder DSM zu sein.

HINWEIS: Dieses Produkt ist ausschließlich für die Verwendung in unbemannten ferngesteuerten Fahrzeugen und Fluggeräten im Hobbybereich vorgesehen. Horizon Hobby lehnt jede Haftung und Garantieleistung ausserhalb der vorgesehen Verwendung ab.

Nicht geeignet für Kinder unter 14 Jahren. Dies ist kein Spielzeug.

Piloten Sicherheit

- Stellen Sie vor dem Flug sicher, dass die Akkus vollständig geladen sind.
- Aktivieren Sie vor dem Flug die Stopuhr, dass Sie den Flug unter Kontrolle haben.
- Stellen Sie sicher, dass alle Ruder in die richtige Richtung arbeiten.
- Fliegen Sie nicht in der Nähe von Zuschauern, Parkplätzen oder anderen Plätzen wo Menschen oder Gegenstände beschädigt werden können.

- Fliegen Sie nicht bei ungünstigen Wetterbedingungen. Schlechte Sicht kann zu Desorientierung und Kontrollverlust führen. Wind kann zu Kontrollverlust führen. Feuchtigkeit und Eis kann das Modell beschädigen.
- Sollte bei einem Flug das Modell nicht einwandfrei reagieren, landen Sie bitte unverzüglich und beseitigen Sie die Ursache des Problems.

Warnungen und Sicherheitshinweise zum Laden von Akkus

Mangelnde Aufmerksamkeit bei der Nutzung des Produktes in Verbindung mit den folgenden Warnungen könnten zu Fehlfunktionen, elektrischen Problemen, großer Hitze, FEUER, Verletzungen und/oder Sachschäden führen.

- Lesen Sie vor Inbetriebnahme alle Sicherheitshinweise und Produktliteratur
- Erlauben Sie es niemals Minderjährigen Akkus zu laden
- Lassen Sie niemals das Ladegerät oder Akkus fallen
- Versuchen Sie niemals beschädigte Akkus zu laden
- Versuchen Sie niemals einen Akkupack zu laden der aus verschiedenen Zelltypen besteht
- Laden Sie niemals einen Akku dessen Kabel punktiert oder gekürzt ist
- Lassen Sie zu keiner Zeit Akkus in Kontakt mit Feuchtigkeit kommen
- Laden Sie niemals Akkus in extrem heißen oder kalten Plätzen (empfohlener Temperaturbereich 10 - 27°) oder in direktem Sonnenlicht

- Trennen Sie immer den Akku nach dem Laden vom Ladegerät und lassen das Ladegerät vor weiterem Gebrauch abkühlen
- Überprüfen Sie einen neuen Akku vor dem Laden
- Beenden Sie bei Fehlfunktionen des Produktes sofort alle Prozesse und kontaktieren Horizon Hobby

- Halten Sie Akkus und das Ladegerät immer von Materialien fern die durch Hitze beeinflusst oder warm werden können (z.B. Keramik und Kacheln)

- Beenden Sie sofort den Ladevorgang wenn das Ladegerät oder der Akku zu heiß bzw Antanfen wird

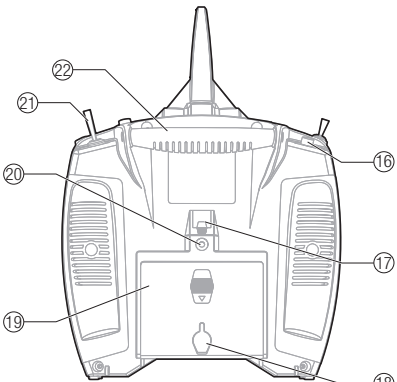
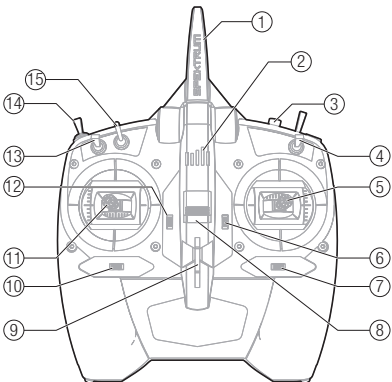
ACHTUNG: Wenn Sie wiederaufladbare Akkus verwenden, laden Sie nur diese. Das Laden von nicht wiederaufladbaren Batterien kann die Batterien zur Explosion bringen, was Körperverletzung und Sachbeschädigung zur Folge haben kann.

ACHTUNG: Es besteht Explosionsgefahr wenn die Batterien durch den falschen Typ ersetzt werden.

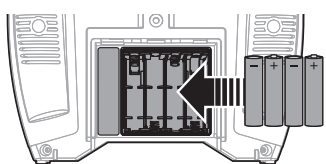
Senderkontrollen

1	Antenne	
2	LED	
3	Wlan Trainer Bindeknopf	
4	Dual Rate Schalter (2 Pos.-Schalter)	
5	Gas/Querruder Steuerknüppe (Gas/Rollen Mode 1) Höhenruder/Querruder Steuerknüppel (Pitch / Rollen: Mode 2) Gas/Seitenruder Steuerknüppel (Gas/ Gieren):Mode 3 Höhenruder/Seitenruder Steuerknüppel Pitch/Gieren: Mode 4)	
6	Höhenrudertrimmung (Mode 2, 4) Gastrimmung (Mode 1, 3)	
7	Querrudertrimmung (Mode 1,2) Seitenrudertrimmung (Mode 3,4)	
8	Ein/Aus Schalter	
9	Halteöse Nackenband	
10	Seitenrudertrimmung (Gieren: Mode 1,2) Querrudertrimmung (Rollen Mode 3,4)	

11	Höhenruder/Seitenruder Steuerknüppel (Pitch/Gieren: Mode 1) Gas/Seitenruder Steuerknüppel (Gas /Gieren: Mode 2) Höhenruder/Querruder Steuerknüppel (Pitch / Rollen: Mode 3) Gas/Querruder Steuerknüppel (Gas/Rollen: Mode 4)	
12	Gas (Mode 2) Höhenruder (Mode 1)	
13	Aux Schalter (2 Pos. Schalter)	
14	Flugmode Schalter (3 Pos.Schalter)	
15	Knappenschalter (3-Positionsschalter)	
16	Bindeknopf / Panikbutton	
17	Programmierport	
18	Optionaler Lithium Ionen Akku Ladeanschluss	
19	Akkufachabdeckung	
20	Trainer (Lehrer/Schüler Buchse)	
21	Motor / Gas Aus Schalter (2 Positionsschalter)	
22	Handgriff	



Einsetzen der Senderbatterien

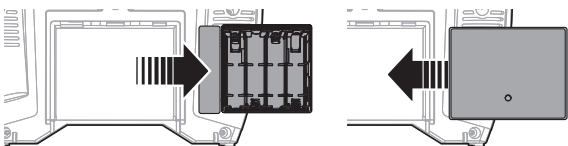


- Nehmen Sie die Batterieklappe vom Sender ab
- Setzen Sie 4 AA Batterien in den Sender ein
- Setzen Sie die Batterieklappe wieder auf.

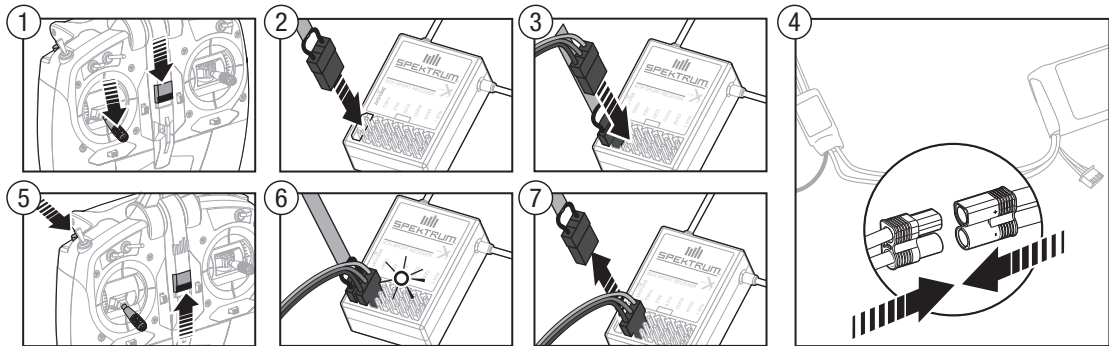
Einsetzen des optionalen Lithium Senderakkus

- Nehmen Sie die Akkuklappe von der Rückseite des Senders ab.
- Nehmen Sie den AA-Batteriehalter aus dem Sender heraus und trennen den Anschluss.
- Entfernen Sie die das rechteckige und flache Schaumteil aus dem Akkufach.
- Schließen Sie den Akkupack (SPMA9602) an den Akkuanschluss im Sender an.
- Setzen Sie den optionalen Akku in den Sender ein.
- Setzen Sie die Akkuklappe wieder auf.

ACHTUNG: Schließen Sie niemals ein externes Akkuladegerät an den DX7 Sender an.
ACHTUNG: Laden Sie niemals einen Akku unbeaufsichtigt.
ACHTUNG: Lassen Sie niemals einen Akku über Nacht laden.



Binden von Sender und Empfänger

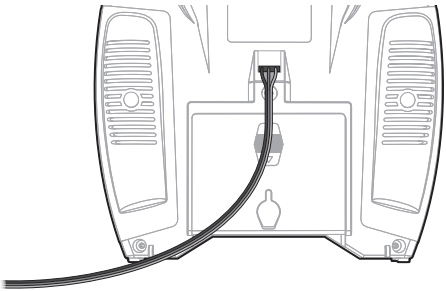


- Bringen Sie den Gasknüppel auf die niedrigste Position und versichern sich, dass der Sender ausgeschaltet ist.
- Stecken Sie den Bindestecker in die BIND/DATA Buchse.
- Stecken Sie den Reglerstecker in die THRO Buchse.
- Schließen Sie den Akku am Regler an und schalten ihn falls möglich ein. Die Empfänger LED blinkt schnell wenn der Empfänger bereit zum binden ist.
- Schalten Sie mit gedrückten Bindeknopf den Sender ein.
- Lassen Sie den Bindeknopf los wenn die Empfänger LED aufgehört hat schnell zu blinken und diese LED leuchtet. Das zeigt die erfolgte Bindung an. Auf dem Display erscheint eine Bindeinformation.
- Entnehmen Sie den Bindestecker aus dem Empfänger.

Senderprogrammierung

Sie können den DXe Sender mit Hilfe des Spektrum Interfacekabels für verschiedene Luftfahrzeuge konfigurieren.

- Laden Sie die Senderprogrammieranwendung von SpektrumRC.com oder von ihrem mobilen Endgerät (iOS oder Android).
- Schalten Sie den Sender ein.
- Öffnen Sie die Programmieranwendung.
- Schließen Sie das Interfacekabel an dem Sender und Mobilgerät an.
- Programmieren Sie den Sender mit der Anwendung.
- Drücken Sie Update (Aktualisieren) um die Senderprogrammierung zu speichern.



Modewechsel

Sie können die Sendermodes zwischen 1,2,3 oder 4 wählen. Der Wechsel erfordert eine Programmierung und einen mechanischen Umbau.

Programmierung Modewechsel:

- Laden Sie die Senderprogrammieranwendung von SpektrumRC.com oder von ihrem mobilen Endgerät (iOS oder Android).
- Schalten Sie den Sender ein.
- Öffnen Sie die Programmieranwendung.
- Schließen Sie das Interfacekabel an dem Sender und Mobilgerät an.
- Programmieren Sie in der Anwendung den Modewechsel auf 1,2,3 oder 4.
- Drücken Sie Update (Aktualisieren) um die Senderprogrammierung zu speichern.

Mechanischer Umbau:

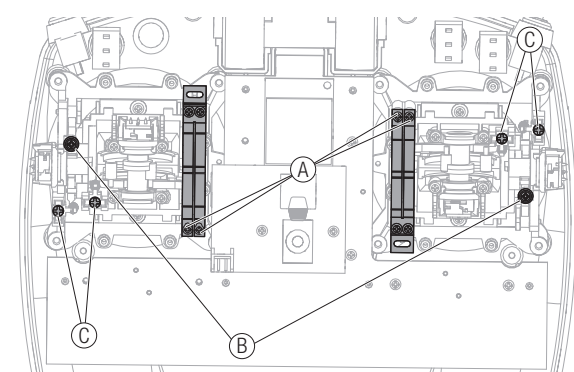
Der mechanische Umbau ist notwendig um zwischen den Modes 1 und 2 oder Mode 3 und 4 zu wechseln.

Der Modewechsel beinhaltet folgende Schritte:

- Wechsel der Gasratsche (**A**)
- Justieren der Höhenruder Zentrierschraube (B)

Wechsel der Ratsche:

- Trennen Sie den Akku oder Batteriehalter vom Sender und legen ihn zur Seite.
- Entfernen Sie die 6 Philipsschrauben inklusive der beiden Antennenabdeckungsschrauben um die hintere Gehäuseseite zu entfernen.
- Legen Sie den Sender mit Vorderseite nach unten auf ein weiches Tuch oder Stück Schaumstoff. Nehmen Sie vorsichtig die Atennenabdeckung ab und legen sie mit der Gehäuserückseite zur Seite.



HINWEIS: Testen Sie dem Drehen der Schrauben immer den Steuerknüppel um zu prüfen ob die Einstellung nicht zu hart oder weich ist. Ein zu festes Anziehen könnte die Feder beschädigen. Lösen Sie die Schraube zu sehr könnte dass dazu führen, dass die Feder abfällt und einen Kurzschluss im Sender verursacht.

ACHTUNG: Schalten Sie immer den Sender aus, trennen und entfernen den Akku bevor Sie die Federkraft oder Ratsche einstellen Ein nichtbe.

Garantie und Service Informationen

Warnung

Ein ferngesteuertes Modell ist kein Spielzeug. Es kann, wenn es falsch eingesetzt wird, zu erheblichen Verletzungen bei Lebewesen und Beschädigungen an Sachgütern führen. Betreiben Sie Ihr RC-Modell nur auf freien Plätzen und beachten Sie alle Hinweise der Bedienungsanleitung des Modells wie auch der Fernsteuerung.

Garantiezeitraum

Exklusive Garantie Horizon Hobby LLC (Horizon) garantiert, dass dasgekauft Produkt frei von Material- und Montagefehlern ist. Der Garantiezeitraum entspricht den gesetzlichen Bestimmung des Landes, in dem das Produkt erworben wurde. In Deutschland beträgt der Garantiezeitraum 6 Monate und der Gewährleistungszeitraum 18 Monate nach dem Garantiezeitraum.

Einschränkungen der Garantie

(a) Die Garantie wird nur dem Erstkäufer (Käufer) gewährt und kann nicht übertragen werden. Der Anspruch des Käufers besteht in der Reparatur oder dem Tausch im Rahmen dieser Garantie. Die Garantie erstreckt sich ausschließlich auf Produkte, die bei einem autorisierten Horizon Händler erworben wurden. Verkäufe an dritte werden von dieser Garantie nicht gedeckt. Garantieansprüche werden nur angenommen, wenn ein gültiger Kaufnachweis erbracht wird. Horizon behält sich das Recht vor, diese Garantiebestimmungen ohne Ankündigung zu ändern oder modifizieren und widerruft dann bestehende Garantiebestimmungen.
(b) Horizon übernimmt keine Garantie für die Verkaufbarkeit des Produktes, die Fähigkeiten und die Fitness des Verbrauchers für einen bestimmten Einsatzzweck des Produktes. Der Käufer allein ist dafür verantwortlich, zu prüfen, ob das Produkt seinen Fähigkeiten und dem vorgesehenen Einsatzzweck entspricht.
(c) Ansprüche des Käufers – Es liegt ausschließlich im Ermessen von Horizon, ob das Produkt, bei dem ein Garantiefall festgestellt wurde, repariert oder ausgetauscht wird. Dies sind die exklusiven Ansprüche des Käufers, wenn ein Defekt festgestellt wird.

Horizon behält sich vor, alle eingesetzten Komponenten zu prüfen, die in den Garantiefall einbezogen werden können. Die Entscheidung zur Reparatur oder zum Austausch liegt nur bei Horizon. Die Garantie schließt kosmetische Defekte oder Defekte, hervorgerufen durch höhere Gewalt, falsche Behandlung des Produktes, falscher Einsatz des Produktes, kommerziellen Einsatz oder Modifikationen irgendwelcher Art aus.

Die Garantie schließt Schäden, die durch falschen Einbau, falsche Handhabung, Unfälle, Betrieb, Service oder Reparaturversuche, die nicht von Horizon ausgeführt wurden aus.

Ausgeschlossen sind auch Fälle die bedingt durch (vii) eine Nutzung sind, die gegen geltendes Recht, Gesetze oder Regularien verstoßen haben. Rücksendungen durch den Käufer direkt an Horizon oder eine seiner Landesvertretung bedürfen der Schriftform.

Schadensbeschränkung

Horizon ist nicht für direkte oder indirekte Folgeschäden, Einkommensausfälle oder kommerzielle Verluste, die in irgendeinem Zusammenhang mit dem Produkt stehen verantwortlich, unabhängig an ein Anspruch im Zusammenhang mit einem Vertrag, der Garantie oder der Gewährleistung erhoben werden. Horizon wird darüber hinaus keine Ansprüche aus einem Garantiefall akzeptieren, die über den individuellen Wert des Produktes hinaus gehen. Horizon hat keinen Einfluss auf den Einbau, die Verwendung oder die Wartung des Produktes oder etwaiger Produktkombinationen, die vom Käufer gewählt werden. Horizon übernimmt keine Garantie und akzeptiert keine Ansprüche für in der folge auftretende Verletzungen oder Beschädigungen. Mit der Verwendung und dem Einbau des Produktes akzeptiert der Käufer alle aufgeführten Garantiebestimmungen ohne Einschränkungen und Vorbehalte.

Garantie und Service Kontaktinformationen

Land des Kauf	Horizon Hobby	Telefon/E-mail Adresse	Adresse
Deutschland	Horizon Technischer Service Sales: Horizon Hobby GmbH	service@horizonhobby.de +49 (0) 4121 2655 100	Christian-Junge-Straße 1 25337 Elmshorn, Deutschland

EU KONFORMITÄTSERKLÄRUNG:



Horizon LLC erklärt hiermit, dass dieses Produkt konform zu den essentiellen Anforderungen der R&TTE e LVD Direktive ist.
Eine Kopie der Konformitätserklärung ist online unter folgender Adresse verfügbar : <http://www.horizonhobby.com/content/support-render-compliance>.



Entsorgung in der Europäischen Union

Dieses Produkt darf nicht über den Hausmüll entsorgt werden. Es ist die Verantwortung des Benutzers, dass Produkt an einer registrierten Sammelstelle für Elektroschrott abzugeben diese Verfahren stellt sicher, dass die Umwelt geschont wird und natürliche Ressourcen nicht über die Gebühr beansprucht werden. Dadurch wird das Wohlergehen der menschlichen Gemeinschaft geschützt. Für weitere Informationen, wo der Elektromüll entsorgt werden kann, können Sie Ihr Stadtbüro oder Ihren lokalen Entsorger kontaktieren.

Wenn Sie als Käufer nicht bereit sind, diese Bestimmungen im Zusammenhang mit der Benutzung des Produktes zu akzeptieren, werden Sie gebeten, dass Produkt in unbenutztem Zustand in der Originalverpackung vollständig bei dem Verkäufer zurückzugeben.

Sicherheitshinweise

Dieses ist ein hochwertiges Hobby Produkt und kein Spielzeug. Es muss mit Vorsicht und Umsicht eingesetzt werden und erfordert einige mechanische wie auch mentale Fähigkeiten. Ein Versagen, das Produkt sicher und umsichtig zu betreiben kann zu Verletzungen von Lebewesen und Sachbeschädigungen erheblichen Ausmaßes führen. Dieses Produkt ist nicht für den Gebrauch durch Kinder ohne die Aufsicht eines Erziehungsberechtigten vorgesehen. Die Anleitung enthält Sicherheitshinweise und Vorschriften sowie Hinweise für die Wartung und den Betrieb des Produktes. Es ist unabdingbar, diese Hinweise vor der ersten Inbetriebnahme zu lesen und zu verstehen. Nur so kann der falsche Umgang verhindert und Unfälle mit Verletzungen und Beschädigungen vermieden werden.

Fragen, Hilfe und Reparaturen

Ihr lokaler Fachhändler und die Verkaufsstelle können eine Garantiebeurteilung ohne Rücksprache mit Horizon nicht durchführen. Dies gilt auch für Garantiereparaturen. Deshalb kontaktieren Sie in einem solchen Fall den Händler, der sich mit Horizon kurz schließen wird, um eine sachgerechte Entscheidung zu fällen, die Ihnen schnellst möglich hilft.

Wartung und Reparatur

Muss Ihr Produkt gewartet oder repariert werden, wenden Sie sich entweder an Ihren Fachhändler oder direkt an Horizon.

Rücksendungen / Reparaturen werden nur mit einer von Horizon vergebenen RMA Nummer bearbeitet. Diese Nummer erhalten Sie oder ihr Fachhändler vom technischen Service. Mehr Informationen dazu erhalten Sie im Serviceportal unter www.horizonhobby.de oder telefonisch bei dem technischen Service von Horizon.

Packen Sie das Produkt sorgfältig ein. Beachten Sie, dass der Originalkarton in der Regel nicht ausreicht, um beim Versand nicht beschädigt zu werden. Verwenden Sie einen Paketdienstleister mit einer Tracking Funktion und Versicherung, da Horizon bis zur Annahme keine Verantwortung für den Versand des Produktes übernimmt. Bitte legen Sie dem Produkt einen Kaufbeleg bei, sowie eine ausführliche Fehlerbeschreibung und eine Liste aller eingesendeten Einzelkomponenten. Weiterhin benötigen wir die vollständige Adresse, eine Telefonnummer für Rückfragen, sowie eine Email Adresse.

Garantie und Reparaturen

Garantieanfragen werden nur bearbeitet, wenn ein Originalkaufbeleg von einem autorisierten Fachhändler beiliegt, aus dem der Käufer und das Kaufdatum hervorgeht. Sollte sich ein Garantiefall bestätigen wird das Produkt repariert oder ersetzt. Diese Entscheidung obliegt einzig Horizon Hobby.

Kostenpflichtige Reparaturen

Liegt eine kostenpflichtige Reparatur vor, erstellen wir einen Kostenvorschlag, den wir Ihrem Händler übermitteln. Die Reparatur wird erst vorgenommen, wenn wir die Freigabe des Händlers erhalten. Der Preis für die Reparatur ist bei Ihrem Händler zu entrichten. Bei kostenpflichtigen Reparaturen werden mindestens 30 Minuten Werkstattzeit und die Rückversandkosten in Rechnung gestellt. Sollten wir nach 90 Tagen keine Einverständniserklärung zur Reparatur vorliegen haben, behalten wir uns vor, das Produkt zu vernichten oder anderweitig zu verwerten.

ACHTUNG: Kostenpflichtige Reparaturen nehmen wir nur für Elektronik und Motoren vor. Mechanische Reparaturen, besonders bei Hubschraubern und RC-Cars sind extrem aufwendig und müssen deshalb vom Käufer selbst – vorgenommen werden.

FR

REMARQUE
La totalité des instructions, garanties et autres documents est sujette à modification à la seule discrétion d’Horizon Hobby, LLC. Pour obtenir la documentation à jour, rendez-vous sur le site horizonhobby.com et cliquez sur l’onglet de support de ce produit.

Signification de certains termes spécifiques

Les termes suivants sont utilisés dans l’ensemble du manuel pour indiquer différents niveaux de danger lors de l’utilisation de ce produit :

REMARQUE : procédures qui, si elles ne sont pas suivies correctement, peuvent entraîner des dégâts matériels ET éventuellement un faible risque de blessures.

ATTENTION : procédures qui, si elles ne sont pas suivies correctement, peuvent entraîner des dégâts matériels ET des blessures graves.

AVERTISSEMENT : procédures qui, si elles ne sont pas suivies correctement, peuvent entraîner des dégâts matériels et des blessures graves OU engendrer une probabilité élevée de blessure superficielle.

AVERTISSEMENT : lisez la TOTALITÉ du manuel d’utilisation afin de vous familiariser avec les caractéristiques du produit avant de le faire fonctionner. Une utilisation incorrecte du produit peut entraîner sa détérioration, ainsi que des risques de dégâts matériels, voire de blessures graves.

Ceci est un produit de loisirs sophistiqué. Il doit être manipulé avec prudence et bon sens et requiert des aptitudes de base en mécanique. Toute utilisation irresponsable de ce produit ne respectant pas les principes de sécurité peut provoquer des blessures, entraîner des dégâts matériels et endommager le produit. Ce produit n’est pas destiné à être utilisé par des enfants sans la surveillance directe d’un adulte. Ne pas essayer de démonter le produit, de l’utiliser avec des composants incompatibles ou d’en améliorer les performances sans l’approbation de Horizon Hobby, LLC. Ce manuel comporte des instructions relatives à la sécurité, au fonctionnement et à l’entretien. Il est capital de lire et de respecter la totalité des instructions et avertissements du manuel avant l’assemblage, le réglage et l’utilisation, ceci afin de manipuler correctement l’appareil et d’éviter tout dégât matériel ou toute blessure grave.

AVERTISSEMENT SUR LA CONTREFAÇON DE PRODUITS: Achetez toujours auprès d’un concessionnaire agréé Horizon Hobby, LLC pour vous assurer de la haute qualité des produits Spektrum authentiques. Horizon Hobby, LLC décline toute possibilité d’assistance et de garantie concernant, mais sans limitation, la compatibilité et les performances des produits contrefaits ou s’affirmant compatibles avec ou Spektrum.

REMARQUE : Ce produit est uniquement destiné à une utilisation dans le domaine des loisirs pour commander des véhicules et avions radiocommandés sans pilote. Horizon Hobby décline toute responsabilité dans le cas d’une utilisation hors de ces conditions et annulera la garantie relative au produit.

14 ans et plus. Ceci n'est pas un jouet.

Sécurité du Pilote

- Assurez-vous toujours que les batteries sont complètement chargées avant d’entreprendre un vol.
- Chronométrez vos vols pour pouvoir voler en toute sécurité dans la limite de capacité de votre batterie.
- Vérifiez que les surfaces de commande répondent correctement aux commandes de l’émetteur avant d’effectuer un vol.
- NE faites PAS voler votre modèle à proximité de spectateurs, sur un parking ou tout autre lieu ou sa manipulation pourrait entraîner des blessures corporelles ou provoquer des dégâts matériels.

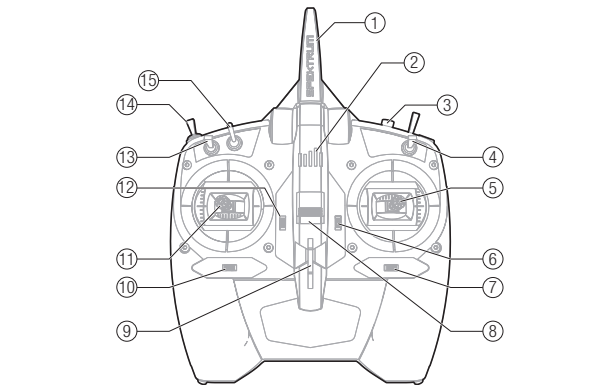
Précautions et avertissements relatifs à la charge de la batterie

Le non-respect des avertissements et/ou une utilisation incorrecte du produit peut entraîner sa détérioration, des dysfonctionnements électriques, un risque d’INCENDIE, ainsi que des risques de dégâts matériels, voire de blessures graves.

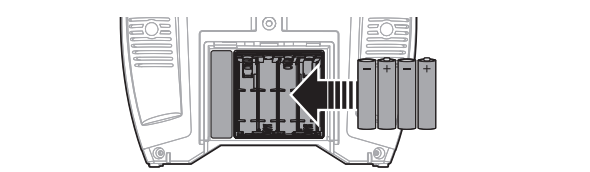
- Lisez entièrement la documentation avant d’utiliser ce produit
- Ne laissez **jamais** des enfants manipuler seuls la batterie
- Ne faites **jamais** tomber le chargeur ou la batterie
- Ne **jamais** tenter de recharger une batterie endommagée
- Ne **jamais** tenter de recharger un pack de batterie contenant des éléments de types différents
- Ne **jamais** charger une batterie dont les câbles sont endommagés ou modifiés
- Ne **jamais** exposer les batteries à de l’humidité
- Ne **jamais** charger les batteries dans des lieux aux températures extrêmes ou en plein soleil (Température recommandée entre 10 et 27°C)
- Toujours** déconnecter la batterie après le chargement, et laisser le chargeur refroidir entre deux charges

Fonctions de l’émetteur

1	Antenne		
2	DEL		
3	Bouton d’écologie sans fil		
4	Interrupteur de double-débattement (<i>inter 2 positions</i>)		
	Manche Gaz/Ailerons (<i>Gaz/Roulis : Mode 1</i>)		
5	Manche Ailerons/Profondeur (<i>Pas/Roulis : Mode 2</i>)		
	Manche Gaz/Dérive (<i>Gaz/Lacet : Mode 3</i>)		
	Manche Profondeur/Dérive (<i>Pas/Lacet : Mode 4</i>)		
6	Trim de profondeur (<i>Pas : Mode 2,4</i>)		
	Trim des gaz (<i>Mode 1,3</i>)		
7	Trim des ailerons (<i>Roulis : Mode 1,2</i>)		
	Trim de dérive (<i>Lacet : Mode 3,4</i>)		
8	Interrupteur d’alimentation		
9	Œillet pour sangle de cou		
10	Trim de dérive (<i>Lacet : Mode 1,3</i>)		
	Trim des ailerons (<i>Roulis : Mode 3,4</i>)		



Installation des piles de l’émetteur



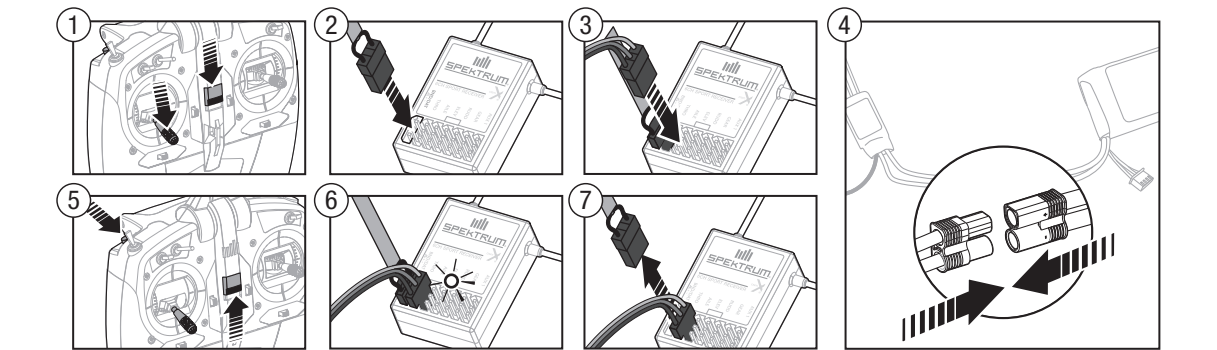
- Retirez le cache-piles à l’arrière de l’émetteur.
- Insérez les 4 piles AA dans le compartiment à piles.
- Réinstallez le cache-piles.

Installation de la batterie Lithium ion optionnelle

- Retirez la trappe du compartiment situé au dos de l’émetteur.
- Retirez le porte piles et déconnectez-le.
- Retirez la cale et la mousse collée au fond du compartiment.
- Connectez la batterie Lithium Ion (SPMA9602) à l’émetteur.
- Insérez la batterie dans le compartiment.
- Remplacez le couvercle en position.



Affectation émetteur/récepteur



- Baissez le manche des gaz tout en bas et vérifiez que l’émetteur est bien éteint.
- Insérez la prise de Bind dans la prise Bind/Data du récepteur.
- Branchez le contrôleur à la prise THRO du récepteur.
- Connectez la batterie au contrôleur et si votre contrôleur est équipé d’un interrupteur mettez-le en position ON. La DEL du récepteur va se mettre à clignoter rapidement indiquant son entrée en mode affectation.
- Maintenez le bouton Trainer/Bind en allumant l’émetteur.
- Relâchez le bouton quand la DEL du récepteur s’allume de façon fixe. Ceci indique que l’affectation est réussie. L’état d’affectation s’affiche également sur l’écran de l’émetteur.
- Retirez la prise de Bind du récepteur.

Programmation émetteur

Vous pouvez programmer l’émetteur DXe pour l’utiliser avec différents modèles en utilisant l’interface Spektrum.

- Téléchargez l’application de programmation sur votre appareil mobile (Ios ou Android) depuis le site SpektrumRC.com.
- Mettez l’émetteur sous tension.
- Lancez l’application de programmation.
- Connectez le câble de l’interface entre l’émetteur et votre appareil mobile.
- Utilisez l’application pour effectuer la programmation de l’émetteur.
- Appuyez sur “update” dans l’application pour sauvegarder et transférer la programmation.

Changement de mode

L’émetteur peut être configuré en Mode 1,2,3 ou 4. Une programmation et une intervention mécanique sont nécessaires pour effectuer le changement de mode.

Programmation du changement de mode:

- Téléchargez l’application de programmation sur votre appareil mobile (Ios ou Android) depuis le site SpektrumRC.com
- Mettez l’émetteur sous tension.
- Lancez l’application DXe.
- Connectez le câble de l’interface entre l’émetteur et votre appareil mobile.
- Utilisez l’application pour sélectionner le Mode 1,2,3 ou 4.
- Appuyez sur “update” dans l’application pour sauvegarder et transférer la programmation.

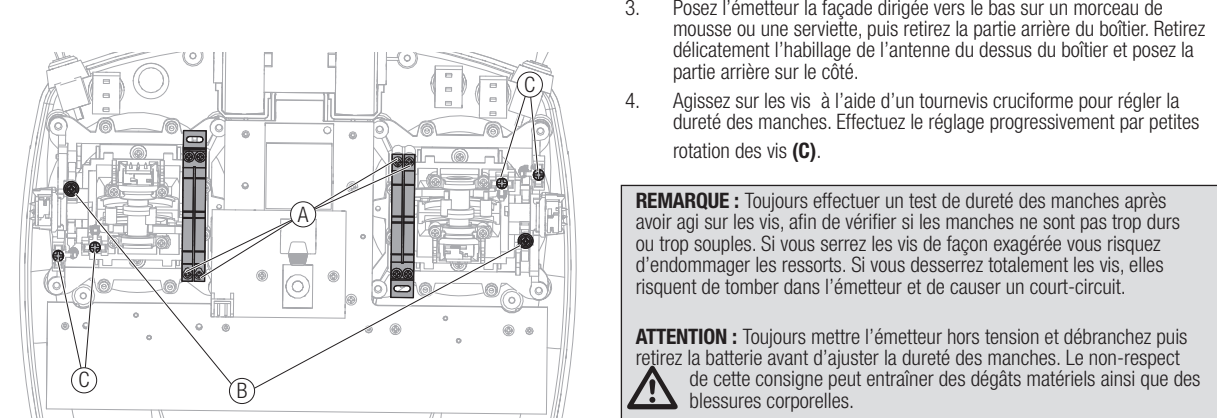
Conversion mécanique:

Une conversion mécanique est requise pour basculer entre le mode 1 et le mode 2 ou basculer entre le mode 3 et le mode 4. La conversion mécanique s’effectue en suivant les étapes ci-dessous :

- Changement de la position du crantage des gaz **(A)**
- Réglage de la vis de tension du ressort du manche de profondeur (B)

Changement du crantage des gaz:

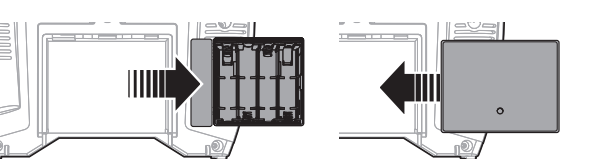
- Déconnectez le boîtier porte-piles ou la batterie optionnelle et l’enlever du compartiment.
- Retirez délicatement les 6 vis cruciforme situées à l’arrière de l’émetteur qui fixent les deux parties du boîtier (Incluant les 2 vis de fixation de l’habillage de l’antenne).
- Posez l’émetteur la façade dirigée vers le bas sur un morceau de mousse ou une serviette, puis retirez la partie arrière du boîtier. Retirez délicatement l’habillage de l’antenne du dessus du boîtier et posez la partie arrière sur le côté.



ATTENTION: Ne jamais connecter un chargeur externe à votre émetteur DXe.

ATTENTION: Ne jamais laisser une batterie en charge sans surveillance.

ATTENTION: Ne jamais recharger une batterie durant la nuit.



Garantie limitée

Garantie exclusive - Horizon Hobby, LLC (Horizon) garantit que le Produit acheté (le « Produit ») sera exempt de défauts matériels et de fabrication à sa date d’achat par l’Acheteur. La durée de garantie correspond aux dispositions légales du pays dans lequel le produit a été acquis. La durée de garantie est de 6 mois et la durée d’obligation de garantie de 18 mois à l’expiration de la période de garantie.

Limitations de la garantie

(a) La garantie est donnée à l’acheteur initial (« Acheteur ») et n’est pas transférable. Le recours de l’acheteur consiste en la réparation ou en l’échange dans le cadre de cette garantie. La garantie s’applique uniquement aux produits achetés chez un revendeur Horizon agréé. Les ventes faites à des tiers ne sont pas couvertes par cette garantie. Les revendications en garantie seront acceptées sur fourniture d’une preuve d’achat valide uniquement. Horizon se réserve le droit de modifier les dispositions de la présente garantie sans avis préalable et révoque alors les dispositions de garantie existantes.

(b) Horizon n’endosse aucune garantie quant à la vendabilité du produit ou aux capacités et à la forme physique de l’utilisateur pour une utilisation donnée du produit. Il est de la seule responsabilité de l’acheteur de vérifier si le produit correspond à ses capacités et à l’utilisation prévue.

(c) Recours de l’acheteur – Il est de la seule discrétion d’Horizon de déterminer si un produit présentant un cas de garantie sera réparé ou échangé. Ce sont là les recours exclusifs de l’acheteur lorsqu’un défaut est constaté.

Horizon se réserve la possibilité de vérifier tous les éléments utilisés et susceptibles d’être intégrés dans le cas de garantie. La décision de réparer ou de remplacer le produit est du seul ressort d’Horizon. La garantie exclut les défauts esthétiques ou les défauts provoqués par des cas de force majeure, une manipulation incorrecte du produit, une utilisation incorrecte ou commerciale de ce dernier ou encore des modifications de quelque nature qu’elles soient. La garantie ne couvre pas les dégâts résultant d’un montage ou d’une manipulation erronés, d’accidents ou encore du fonctionnement ainsi que des tentatives d’entretien ou de réparation non effectuées par Horizon. Les retours effectués par le fait de l’acheteur directement à Horizon ou à l’une de ses représentations nationales requièrent une confirmation écrite.

Limitation des dommages

Horizon ne saurait être tenu pour responsable de dommages conséquents directs ou indirects, de pertes de revenus ou de pertes commerciales, liés de quelque manière que ce soit au produit et ce, indépendamment du fait qu’un recours puisse être formulé en relation avec un contrat, la garantie ou l’obligation de garantie. Par ailleurs, Horizon n’acceptera pas de recours issus d’un cas de garantie lorsque ces recours dépassent la valeur unitaire du produit. Horizon n’exerce aucune influence sur le montage, l’utilisation ou la maintenance du produit ou sur d’éventuelles combinaisons de produits choisies par l’acheteur. Horizon ne prend en compte aucune garantie et n’accepte aucun recours pour les blessures ou les dommages pouvant en résulter. Horizon Hobby ne saurait être tenu responsable d’une utilisation ne respectant pas les lois , les règles ou réglementations en vigueur.

En utilisant et en montant le produit, l’acheteur accepte sans restriction ni réserve toutes les dispositions relatives à la garantie figurant dans le présent document. Si vous n’êtes pas prêt, en tant qu’acheteur, à accepter ces dispositions en relation avec l’utilisation du produit, nous vous demandons de restituer au vendeur le produit complet, non utilisé et dans son emballage d’origine.

Coordonnées de Garantie et réparations

Pays d’achat	Horizon Hobby	Téléphone/Adresse e-mail	Adresse
France	Horizon Hobby SAS	infofrance@horizonhobby.com +33 (0) 1 60 18 34 90	11 Rue Georges Charpak 77127 Lieusaint, France

Information IC

Le présent appareil est conforme aux CNR d’Industrie Canada applicables aux appareils radio exempts de licence. L’exploitation est autorisée aux deux conditions suivantes : (1) l’appareil ne doit pas produire de brouillage, et (2) l’utilisateur de l’appareil doit accepter tout brouillage radioélectrique subi, même si le brouillage est susceptible d’en compromettre le fonctionnement.

DÉCLARATION DE CONFORMITÉ DE L’UNION EUROPÉENNE :

CE Déclaration de conformité de l’union européenne : Horizon Hobby, LLC déclare par la présente que ce produit est en conformité avec les exigences essentielles et les autres dispositions dela RITTE, DBT Directive. Une copie de la déclaration de conformité Européenne est disponible à : http://www.horizonhobby.com/content/support-render-compliance.

Élimination dans l’Union Européenne :
Ce produit ne doit pas être éliminé avec les ordures ménagères. Il est de la responsabilité de l’utilisateur de remettre le produit à un point de collecte officiel des déchets d’équipements électriques. Cette procédure permet de garantir le respect de l’environnement et l’absence de sollicitation excessive des ressources naturelles. Elle protège de plus le bien-être de la communauté humaine. Pour plus d’informations quant aux lieux d’éliminations des déchets d’équipements électriques, vous pouvez contacter votre mairie ou le service local de traitement des ordures ménagères.

Indications relatives à la sécurité

Ceci est un produit de loisirs perfectionné et non un jouet. Il doit être utilisé avec précaution et bon sens et nécessite quelques aptitudes mécaniques ainsi que mentales. L’incapacité à utiliser le produit de manière sûre et raisonnable peut provoquer des blessures et des dégâts matériels conséquents. Ce produit n’est pas destiné à être utilisé par des enfants sans la surveillance par un tuteur. La notice d’utilisation contient des indications relatives à la sécurité ainsi que des indications concernant la maintenance et le fonctionnement du produit. Il est absolument indispensable de lire et de comprendre ces indications avant la première mise en service. C’est uniquement ainsi qu’il sera possible d’éviter une manipulation erronée et des accidents entraînant des blessures et des dégâts. Horizon Hobby ne saurait être tenu responsable d’une utilisation ne respectant pas les lois, les règles ou réglementations en vigueur.

Questions, assistance et réparations

Votre revendeur spécialisé local et le point de vente ne peuvent effectuer une estimation d’éligibilité à l’application de la garantie sans avoir consulté Horizon. Cela vaut également pour les réparations sous garantie. Vous voudrez bien, dans un tel cas, contacter le revendeur qui conviendra avec Horizon d’une décision appropriée, destinée à vous aider le plus rapidement possible.

Maintenance et réparation

Si votre produit doit faire l’objet d’une maintenance ou d’une réparation, adressez-vous soit à votre revendeur spécialisé, soit directement à Horizon. Emballez le produit soigneusement. Veuillez noter que le carton d’emballage d’origine ne suffit pas, en règle générale, à protéger le produit des dégâts pouvant survenir pendant le transport. Faites appel à un service de messagerie proposant une fonction de suivi et une assurance, puisque Horizon ne prend aucune responsabilité pour l’expédition du produit jusqu’à sa réception acceptée. Veuillez joindre une preuve d’achat, une description détaillée des défauts ainsi qu’une liste de tous les éléments distincts envoyés. Nous avons de plus besoin d’une adresse complète, d’un numéro de téléphone (pour demander des renseignements) et d’une adresse de courriel.

Garantie et réparations

Les demandes en garantie seront uniquement traitées en présence d’une preuve d’achat originale émanant d’un revendeur spécialisé agréé, sur laquelle figurent le nom de l’acheteur ainsi que la date d’achat. Si le cas de garantie est confirmé, le produit sera réparé. Cette décision relève uniquement de Horizon Hobby.

Réparations payantes

En cas de réparation payante, nous établissons un devis que nous transmettons à votre revendeur. La réparation sera seulement effectuée après que nous ayons reçu la confirmation du revendeur. Le prix de la réparation devra être acquitté au revendeur. Pour les réparations payantes, nous facturons au minimum 30 minutes de travail en atelier ainsi que les frais de réexpédition. En l’absence d’un accord pour la réparation dans un délai de 90 jours, nous nous réservons la possibilité de détruire le produit ou de l’utiliser autrement.

ATTENTION: nous n’effectuons de réparations payantes que pour les composants électroniques et les moteurs. Les réparations touchant à la mécanique, en particulier celles des hélicoptères et des voitures radiocommandées, sont extrêmement coûteuses et doivent par conséquent être effectuées par l’acheteur lui-même.

IT
AVVISO
Tutte le istruzioni, le garanzie e gli altri documenti pertinenti sono soggetti a cambiamenti a totale discrezione di Horizon Hobby, LLC. Per una documentazione aggiornata sul prodotto, visitare il sito horizonhobby.com e fare clic sulla sezione Support del prodotto.
Convenzioni terminologiche
Nella documentazione relativa al prodotto vengono utilizzati i seguenti termini per indicare i vari livelli di pericolo potenziale durante l'uso del prodotto: AVVISO: indica procedure che, se non debitamente seguite, possono determinare il rischio di danni alle cose E il rischio minimo o nullo di lesioni alle persone. ATTENZIONE: indica procedure che, se non debitamente seguite, determinano il rischio di danni alle cose E di gravi lesioni alle persone. AVVERTENZA: indica procedure che, se non debitamente seguite, determinano il rischio di danni alle cose, danni collaterali e gravi lesioni alle persone O il rischio elevato di lesioni superficiali alle persone.
AVVERTENZA: leggere TUTTO il manuale di istruzioni e familiarizzare con le caratteristiche del prodotto prima di farlo funzionare. Un uso improprio del prodotto può causare danni al prodotto stesso e alle altre cose e gravi lesioni alle persone. Questo è un prodotto sofisticato per appassionati di modellismo. Deve essere azionato in maniera attenta e responsabile e richiede alcune conoscenze basilari di meccanica. L'uso improprio o irresponsabile di questo prodotto può causare lesioni alle persone e danni al prodotto stesso o alle altre cose. Questo prodotto non deve essere utilizzato dai bambini senza la diretta supervisione di un adulto. Non tentare di smontare, utilizzare componenti incompatibili o modificare il prodotto in nessun caso senza previa approvazione di Horizon Hobby, LLC. Questo manuale contiene le istruzioni per la sicurezza, l'uso e la manutenzione del prodotto. È fondamentale leggere e seguire tutte le istruzioni e le avvertenze del manuale prima di montare, impostare o utilizzare il prodotto, al fine di utilizzarlo correttamente e di evitare di causare danni alle cose o gravi lesioni alle persone.
AVVERTENZA CONTRO PRODOTTI CONTRAFFATTI: Acquistate sempre da rivenditori autorizzati Horizon Hobby per essere certi di avere prodotti originali Spektrum di alta qualità. Horizon Hobby rifiuta qualsiasi supporto o garanzia riguardo, ma non limitato a, compatibilità e prestazioni di prodotti contraffatti o prodotti che vantano compatibilità con DSM o Spektrum.
AVVISO: Si intende che questo prodotto è dedicato all'uso con modelli radiocomandati senza persone a bordo. Horizon Hobby declina ogni responsabilità al di fuori di questo utilizzo e, in questo caso, non riconosce alcuna garanzia.

Almeno 14 anni. Non è un giocattolo.

Punti da rispettare per la sicurezza

- Prima del volo accertarsi che le batterie del trasmettitore e del ricevitore siano ben cariche.
- Impostare sul timer un tempo di volo adeguato alla capacità delle batterie in uso.
- Verificare che tutte le superfici mobili rispondano correttamente ai comandi del trasmettitore.
- Non usare il modello vicino a spettatori, aree di parcheggio o altre situazioni che possano recare danno a persone o cose.

- Non usare il modello in condizioni meteorologiche avverse. Una scarsa visibilità può creare disorientamento e perdita di controllo del modello.

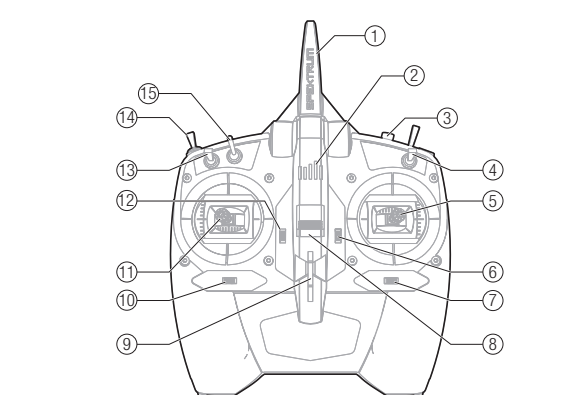
AVVERTENZE E PRECAUZIONI NELLA CARICA DELLE BATTERIE

Se non si utilizza questo prodotto con attenzione e non si osservano le seguenti avvertenze potrebbero verificarsi malfunzionamenti, problemi elettrici, eccessivo sviluppo di calore, incendi e, in definitiva, lesioni e danni materiali.

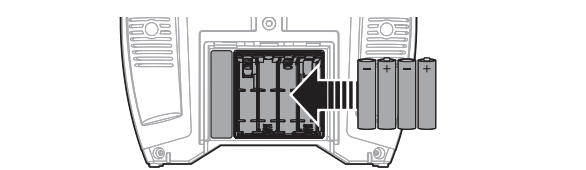
- Leggere tutte le norme di sicurezza e il manuale intero prima di usare questo prodotto
- Non permettere ai bambini inferiori a 14 anni di caricare le batterie
- Non lasciare cadere il caricabatterie o le batterie
- Non tentare mai di caricare batterie fuori uso o danneggiate
- Non tentare di caricare un pacco formato da batterie di tipi differenti
- Non caricare mai una batteria se il cavo è schiacciato o messo in corto
- Non permettere alle batterie o al caricabatterie di entrare in contatto con l'umidità
- Non caricare mai le batterie in luoghi estremamente caldi o freddi (si raccomanda 10-27° C) o esposti alla luce diretta del sole

1	Antenna	
2	LED	
3	Tasto bind allievo/maestro wireless	
4	Interruttore dual rate (<i>interrutt. a 2 posizioni</i>)	
5	Stick motore/alettone (<i>gas/rollio: Mode 1</i>) Stick elevatore/alettone (<i>beccheggio/rollio: Mode 2</i>) Stick motore/direzionale (<i>gas/imbardata: Mode 3</i>) Stick elevatore/direzionale (<i>beccheggio/imbardata: Mode 4</i>)	
6	Trim elevatore (<i>Beccheggio: Mode 2, 4</i>) Trim motore (<i>Mode 1, 3</i>)	
7	Trim alettone (<i>Rollio: Mode 1, 2</i>) Trim direzionale (<i>Imbardata: Mode 3, 4</i>)	
8	Interruttore di accensione	
9	Occhiello tracolla	
10	Trim direzionale (<i>Imbardata: Mode 1, 2</i>) Trim alettone (<i>Rollio: Mode 3, 4</i>)	

11	Stick elevatore/direzionale (<i>beccheggio/imbardata: Mode 1</i>) Stick motore/direzionale (<i>gas/imbardata: Mode 2</i>) Stick elevatore/alettone (<i>beccheggio/rollio: Mode 3</i>) Stick motore/alettone (<i>gas/rollio: Mode 4</i>)	
12	Motore (<i>Mode 2</i>) Elevatore (<i>Mode 1</i>)	
13	Interruttore Aux (<i>interrutt. a 2 posizioni</i>)	
14	Interruttore modalità di volo (<i>interrutt. a 3 posizioni</i>)	
15	Interruttore flap (<i>interrutt. a 3 posizioni</i>)	
16	Tasto bind/anti-panico	
17	Porta programmazione	
18	Porta opzionale carica batteria Li-Ion	
19	Copertura batteria	
20	Porta trainer	
21	Interruttore spegnimento motore (<i>interrutt. a 2 posizioni</i>)	
22	Maniglia	



Installazione delle batterie nella trasmittente



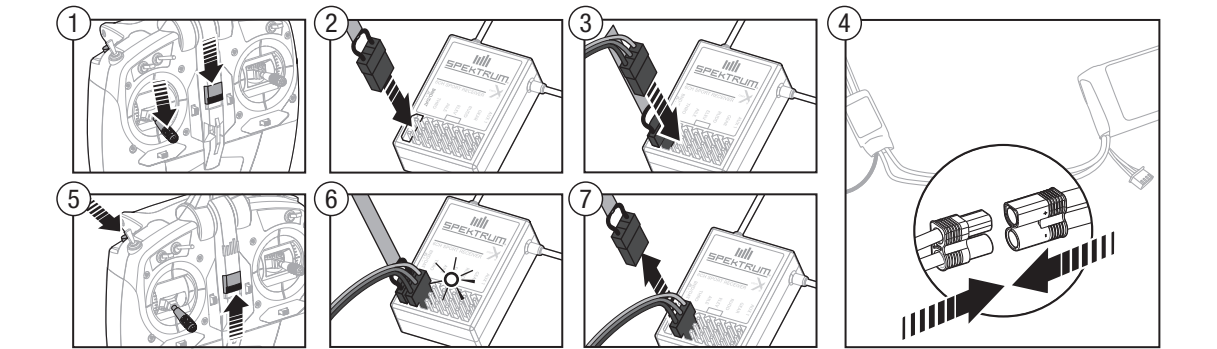
- Togliere il coperchio del vano batteria dal retro della trasmittente.
- Installare le 4 batterie AA nel vano batteria.
- Rimettere il coperchio.

INSTALLAZIONE BATTERIA OPZIONALE LI ION

- Togliere il coperchio del vano batteria dal retro del trasmettitore.
- Togliere il portatile AA scollegandolo dal trasmettitore.
- Togliere dal vano batteria la spugna piatta rettangolare.
- Collegare la batteria (SPMA9602) alla presa del trasmettitore.
- Inserire la batteria Lilon opzionale all'interno del trasmettitore.
- Rimettere il coperchio.

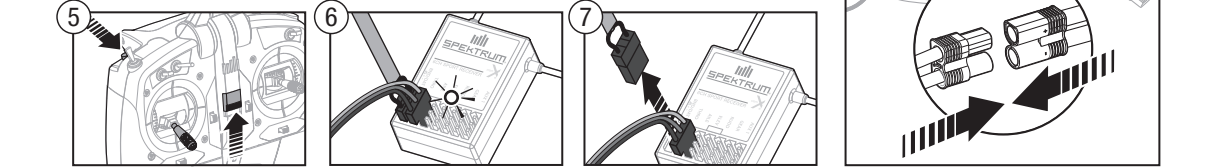
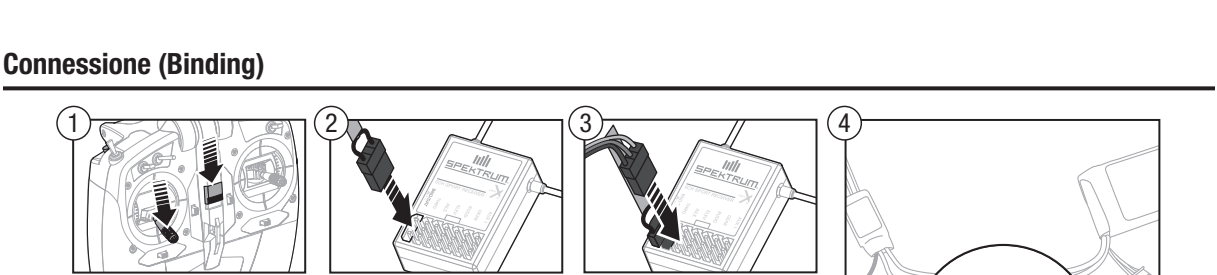
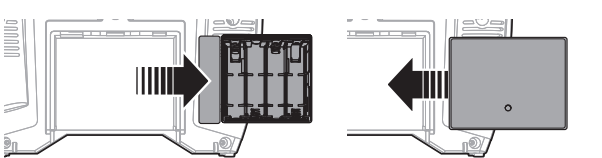


Connessione (Binding)



- Abbassare completamente lo stick del motore e accertarsi che il trasmettitore sia spento.
- Inserire il connettore "bind plug" nella presa BIND/DATA del ricevitore.
- Inserire il connettore dell'ESC nella presa THRO (motore).
- Collegare la batteria all'ESC e accenderlo. Quando il ricevitore è pronto per la connessione, il suo LED lampeggia velocemente.

ATTENZIONE: non collegare mai un caricabatterie esterno al trasmettitore DXe.
ATTENZIONE: durante la carica non lasciare mai incustodita una batteria
ATTENZIONE: non caricare mai una batteria durante la notte



- Accendere il trasmettitore tenendo premuto il suo pulsante per il "binding".
- Rilasciare il pulsante quando il LED del ricevitore smette di lampeggiare velocemente. Quando si stabilisce la connessione il LED del ricevitore resta acceso fisso. Anche lo schermo fornisce indicazioni sulla procedura appena effettuata.
- Togliere il "bind plug" dal ricevitore.

5	Accendere il trasmettitore tenendo premuto il suo pulsante per il "binding".
6	Rilasciare il pulsante quando il LED del ricevitore smette di lampeggiare velocemente. Quando si stabilisce la connessione il LED del ricevitore resta acceso fisso. Anche lo schermo fornisce indicazioni sulla procedura appena effettuata.
7	Togliere il "bind plug" dal ricevitore.

La trasmittente DXe può essere configurata per diversi aerei usando il cavo di interfaccia Spektrum.

- Scaricare l'applicazione per la programmazione della trasmittente da SpektrumRC.com o dal vostro dispositivo mobile (iOS o Android).
- Accendere la trasmittente.
- Aprire l'applicazione di programmazione della trasmittente.
- Connettere il cavo di interfaccia alla trasmittente e al dispositivo mobile.
- Usare l'applicazione per programmare la trasmittente.
- Selezionare "Update" nell'applicazione per salvare la programmazione della trasmittente.



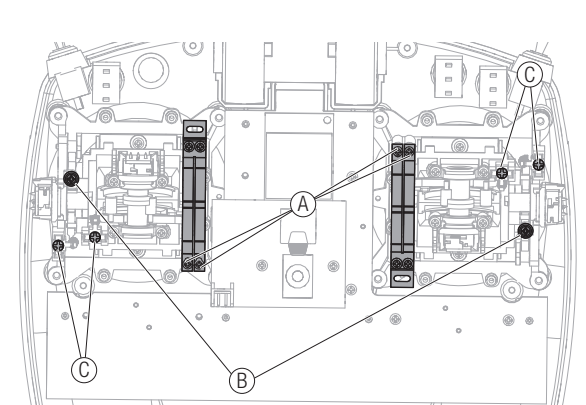
La trasmittente è intercambiabile tra mode 1, 2, 3 e 4. Questa conversione richiede sia una modifica di programmazione che meccanica.

- Conversione programmazione:**
- Scaricare l'applicazione DXe da SpektrumRC.com o dal vostro dispositivo mobile (iOS o Android).
 - Accendere la trasmittente.
 - Aprire l'applicazione DXe.
 - Connettere il cavo di interfaccia alla trasmittente e al dispositivo mobile.
 - Usare l'applicazione per programmare il cambio di mode 1, 2 ,3 o 4.
 - Selezionare "Update" nell'applicazione per salvare la programmazione.

- Conversione meccanica:**
- La conversione meccanica è necessaria per cambiare tra mode 1 e 2 o mode 3 e 4. La conversione meccanica richiede le seguenti azioni:
- Cambiare il movimento a scatti del comando motore **(A)**
 - Regolare la vite di centraggio dell'elevatore **(B)**

Cambiare il movimento a scatti del comando motore

- Scollegare e togliere la batteria dal trasmettitore e metterla da parte.
- Togliere le 6 viti Phillips, incluse le due per la copertura dell'antenna, che fissano il coperchio posteriore del trasmettitore.
- Mettere il trasmettitore con il frontale verso il basso su di un pezzo di gommapiuma. Tirare con attenzione la copertura dell'antenna verso l'alto del trasmettitore, e mettere da parte il coperchio posteriore.



AVVISO: conviene fare sempre una prova di tensione degli stick per evitare che siano troppo morbidi o troppo duri. Stringendo troppo la vite si potrebbe causare la rottura della molla. Allentando troppo la vite, la molla si potrebbe sganciare e finire sul circuito causando corto circuiti nel trasmettitore.

ATTENZIONE: prima di fare queste regolazioni, bisogna spegnere sempre il trasmettitore e staccare la batteria. In caso contrario si potrebbero causare danni o lesioni.

GARANZIA

Garanzia esclusiva - Horizon Hobby, LLC, (Horizon) garantisce che i prodotti acquistati (il "Prodotto") sono privi di difetti relativi ai materiali e di eventuali errori di montaggio. Il periodo di garanzia è conforme alle disposizioni legali del paese nel quale il prodotto è stato acquistato. Tale periodo di garanzia ammonta a 6 mesi e si estende ad altri 18 mesi dopo tale termine.

Limiti della garanzia

(a) La garanzia è limitata all'acquirente originale (Acquirente) e non è cedibile a terzi. L'acquirente ha il diritto a far riparare o a far sostituire la merce durante il periodo di questa garanzia. La garanzia copre solo quei prodotti acquistati presso un rivenditore autorizzato Horizon. Altre transazioni di terze parti non sono coperte da questa garanzia. La prova di acquisto è necessaria per far valere il diritto di questa garanzia. Inoltre, Horizon si riserva il diritto di cambiare o modificare i termini di questa garanzia senza alcun preavviso e di escludere tutte le altre garanzie già esistenti.

(b) Horizon non si assume alcuna garanzia per la disponibilità del prodotto, per l'adeguatezza o l'idoneità del prodotto a particolari previsti dall'utente. È sola responsabilità dell'acquirente il fatto di verificare se il prodotto è adatto agli scopi da lui previsti.

(c) Richiesta dell'acquirente – spetta soltanto a Horizon, a propria discrezione riparare o sostituire qualsiasi prodotto considerato difettoso e che rientra nei termini di garanzia. queste sono le uniche rivealse a cui l'acquirente si può appellare, se un prodotto è difettoso. Horizon si riserva il diritto di controllare qualsiasi componente utilizzato che viene coinvolto nella rivaalse di garanzia. Le decisioni relative alla sostituzione o alla riparazione sono a discrezione di Horizon. Questa garanzia non copre dei danni superficiali o danni per cause di forza maggiore, uso errato del prodotto, un utilizzo che viola qualsiasi legge, regolamentazione o disposizione applicabile, negligenza, uso ai fini commerciali, o una qualsiasi modifica a qualsiasi parte del prodotto. Questa garanzia non copre danni dovuti ad una installazione errata, ad un funzionamento errato, ad una manutenzione o un tentativo di riparazione non idonei a cura di soggetti diversi da Horizon. La restituzione del prodotto a cura dell'acquirente, o da un suo rappresentante, deve essere approvata per iscritto dalla Horizon.

Limiti di danno

Horizon non si riterrà responsabile per danni speciali, diretti, indiretti o consequenziali; perdita di profitto o di produzione; perdita commerciale connessa al prodotto, indipendentemente dal fatto che la richiesta si basa su un contratto o sulla garanzia. Inoltre la responsabilità di Horizon non supera mai in nessun caso il prezzo di acquisto del prodotto per il quale si chiede la responsabilità. Horizon non ha alcun controllo sul montaggio, sull'utilizzo o sulla manutenzione del prodotto o di combinazioni di vari prodotti. Quindi Horizon non accetta nessuna responsabilità per danni o lesioni derivanti da tali circostanze. Con l'utilizzo e il montaggio del prodotto l'utente acconsente a tutte le condizioni, limitazioni e riserve di garanzia citate in questa sede. Qualora l'utente non fosse pronto ad assumersi tale responsabilità associata all'uso del prodotto, si suggerisce di restituire il prodotto intatto, mai usato e immediatamente presso il venditore.

Stato di acquisto	Horizon Hobby	Telefono/Indirizzo e-mail	Indirizzo
Germania	Horizon Technischer Service Sales: Horizon Hobby GmbH	service@horizonhobby.de +49 (0) 4121 2655 100	Christian-Junge-Straße 1 25337 Elmshorn, Germania

Stato di acquisto	Horizon Hobby	Telefono/Indirizzo e-mail	Indirizzo
Germania	Horizon Technischer Service Sales: Horizon Hobby GmbH	service@horizonhobby.de +49 (0) 4121 2655 100	Christian-Junge-Straße 1 25337 Elmshorn, Germania

DICHIARAZIONE DI CONFORMITÀ EU:

CE Horizon Hobby, LLC con la presente dichiara che il prodotto è conforme ai requisiti essenziali e ad altre disposizioni rilevanti del R&TTE e direttiva LVD. Una copia della dichiarazione di conformità per l'Unione Europea è disponibile a: <http://www.horizonhobby.com/content/support-render-compliance>.

Smaltimento all'interno dell'Unione Europea:

Questo prodotto non deve essere smaltito assieme ai rifiuti domestici. Invece è responsabilità dell'utente lo smaltimento di tali rifiuti, che devono essere portati in un centro di raccolta designato per il riciclaggio di rifiuti elettronici. Con tale procedimento si aiuterà preservare l'ambiente e le risorse non verranno sprecate. In questo modo si proteggerà il benessere dell'umanità. Per maggiori informazioni sui punti di riciclaggio si prega di contattare il proprio ufficio locale o il servizio di smaltimento rifiuti.

Indicazioni di sicurezza

Questo è un prodotto sofisticato di hobbistica e non è un giocattolo. Esso deve essere manipolato con cautela, con giudizio e richiede delle conoscenze basilari di meccanica e delle facoltà mentali di base. Se il prodotto non verrà manipolato in maniera sicura e responsabile potrebbero risultare delle lesioni, dei gravi danni a persone, al prodotto o all'ambiente circostante. Questo prodotto non è concepito per essere usato dai bambini senza una diretta supervisione di un adulto. Il manuale del prodotto contiene le istruzioni di sicurezza, di funzionamento e di manutenzione del prodotto stesso. È fondamentale leggere e seguire tutte le istruzioni e le avvertenze nel manuale prima di mettere in funzione il prodotto. Solo così si eviterà un utilizzo errato e di preverranno incidenti, lesioni o danni.

Domande, assistenza e riparazioni

Il vostro negozio locale e/o luogo di acquisto non possono fornire garanzie di assistenza o riparazione senza previo colloquio con Horizon. questo vale anche per le riparazioni in garanzia. Quindi in tale casi bisogna interpellare un rivenditore, che si metterà in contatto subito con Horizon per prendere una decisione che vi possa aiutare nel più breve tempo possibile.

Manutenzione e riparazione

Se il prodotto deve essere ispezionato o riparato, si prega di rivolgersi ad un rivenditore specializzato o direttamente ad Horizon. il prodotto deve essere Imbalato con cura. Bisogna far notare che i box originali solitamente non sono adati per effettuare una spedizione senza subire alcun danno. Bisogna effettuare una spedizione via corriere che fornisce una tracciabilità e un'assicurazione, in quanto Horizon non si assume alcuna responsabilità in relazione alla spedizione del prodotto. Inserire il prodotto in una busta assieme ad una descrizione dettagliata degli errori e ad una lista di tutti i singoli componenti spediti. Inoltre abbiamo bisogno di un indirizzo completo, di un numero di telefono per chiedere ulteriori domande e di un indirizzo e-mail.

Garanzia a riparazione

Le richieste in garanzia verranno elaborate solo se è presente una prova d'acquisto in originale proveniente da un rivenditore specializzato autorizzato, nella quale è ben visibile la data di acquisto. Se la garanzia viene confermata, allora il prodotto verrà riparato o sostituito. Questa decisione spetta esclusivamente a Horizon Hobby.

Riparazioni a pagamento

Se bisogna effettuare una riparazione a pagamento, effettueremo un preventivo che verrà inoltrato al vostro rivenditore. La riparazione verrà effettuata dopo l'autorizzazione da parte del vostro rivenditore. La somma per la riparazione dovrà essere pagata al vostro rivenditore. Le riparazioni a pagamento avranno un costo minimo di 30 minuti di lavoro e in fattura includeranno le spese di restituzione. Qualsiasi riparazione non pagata e non richiesta entro 90 giorni verrà considerata abbandonata e verrà gestita di conseguenza.

ATTENZIONE: Le riparazioni a pagamento sono disponibili solo sull'elettronica e sui motori. Le riparazioni a livello meccanico, soprattutto per gli elicotteri e le vetture RC sono molto costose e devono essere effettuate autonomamente dall'acquirente.

46330

© 2015 Horizon Hobby, LLC. DSMX is a registered trademark of Horizon Hobby, LLC. The Spektrum trademark is used with permission of Bachmann Industries, Inc. US 7,391,320. Other patents pending. Created 05/15

SPM1000, SPMR1000