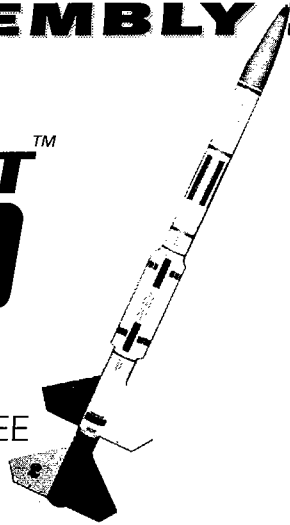


# Navaho AGM™ ASSEMBLY INSTRUCTIONS



Prod. No. 3003

Skill Level THREE



## Things You'll Need To Assemble this Kit:

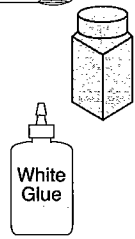
Hobby Knife, Pencil and Paint Brush



Sandpaper (220 or 320 Grit) & Sanding Sealer

White Glue

Aliphatic Resin glues work best such as TITEBOND or ELMER'S CARPENTER'S WOOD GLUE - ELMER'S WHITE SCHOOL GLUE also works but dries slower.



Plastic Cement

Use TESTORS TUBE Plastic Cement, PACTRA LIQUID CEMENT or other comparable brands.



Tape & Paint

Scotch Magic Tape or Paper Masking Tape and Spray Paint



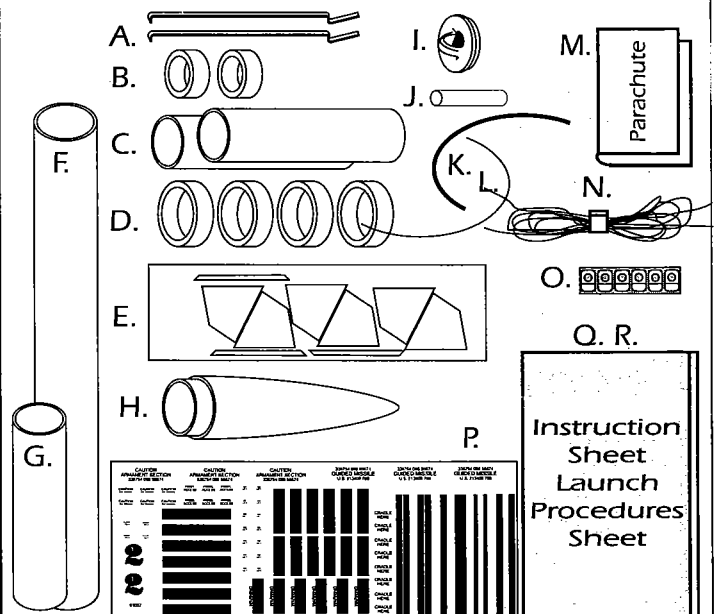
Scissors, Tweezers and Wax Paper



**BEFORE STARTING ASSEMBLY READ THROUGH THESE INSTRUCTIONS. IT IS BEST TO TEST FIT ALL PARTS BEFORE APPLYING ANY GLUE. READ AND FOLLOW THE NAR MODEL ROCKET SAFETY CODE.**

## PARTS LIST

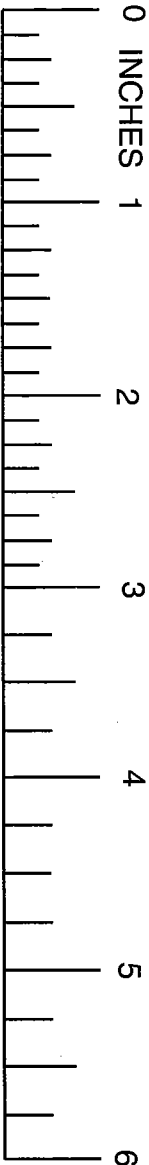
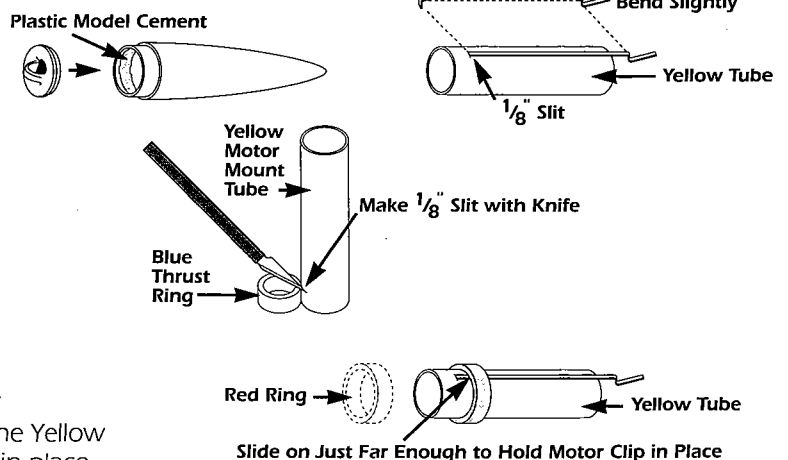
- A. 49000 Motor Clip (2)
- B. 14000 Blue Thrust Ring (2)
- C. 10303 Yellow Motor Mount Tube (2)
- D. 14050 Red Centering Ring (4)
- E. 33005 Die-Cut Balsa Fin Set
- F. 11305 14" White Body Tube
- G. 11301 Booster Tube
- H. 20102 Plastic Nose Cone
- I. 20103 Nose Cone Base
- J. 10001 2 inch Launch Lug
- K. 50011 18 inch White Elastic Shock Cord
- L. 50051 18 inch Yellow Kevlar\* Shock Cord
- M. 28102 12 inch Parachute
- N. 50100 Pack of 3 / 26 inch Shroud Lines
- O. 28001 Strip of 6 Gripper Tabs
- P. 91006 Self-Adhesive Decal
- Q. 90057 Instruction Sheet
- R. 90157 Instruction Sheet



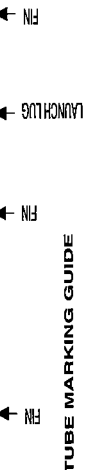
\* Kevlar is a registered trademark of Dupont.

## STEP 1

- A. Apply plastic model cement (NOT WHITE GLUE) around the inside edge of the plastic nose cone. Push the base into the nose cone. Set aside to dry.
- B. Place the Blue Thrust Ring up against the side of the Yellow Motor Mount Tube and use it as a guide to make a small 1/8 inch long slit in the side of the Yellow Motor Mount Tube as shown.
- C. Make a slight bend in the Motor Clip as shown. Insert the Motor Clip into the slit you made in the Yellow Motor Mount Tube.
- D. Slide one of the Red Centering Rings onto the Yellow tube just far enough to hold the motor clip in place.

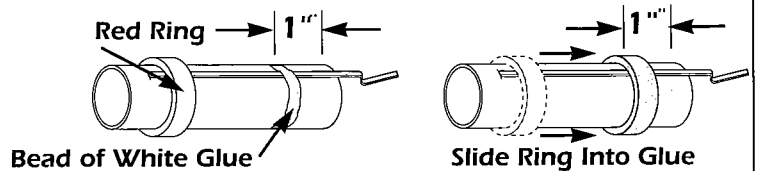


OVERLAP AREA



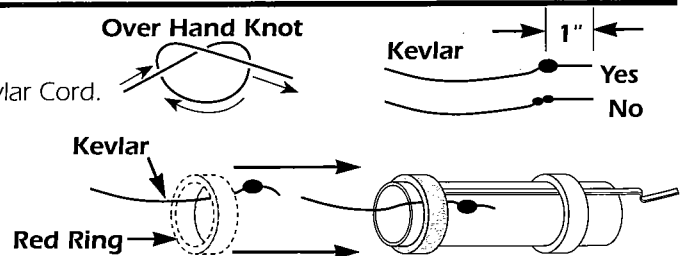
## STEP 2

- Apply a bead of white glue around the Yellow Motor Mount Tube 1 inch from the end as shown.
- Slide the Red Ring into the bead of glue. Wipe away any excess glue.



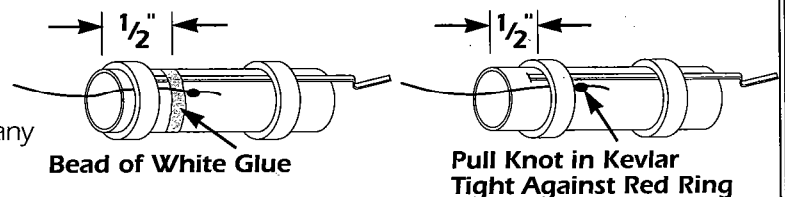
## STEP 3

- Tie two overhead knots 1 inch in from the end of the Yellow Kevlar Cord.
- Pass the end of the Kevlar with the knot through the remaining Red Centering Ring.
- Slide the Red Centering ring with the Kevlar under it onto the Yellow Motor Mount Tube.



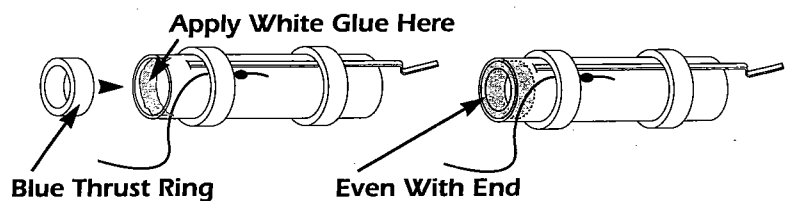
## STEP 4

- Apply a bead of white glue around the Yellow Motor Mount Tube 1/2 inch from the end as shown.
- Slide the Red Ring into the bead of glue. Wipe away any excess glue.
- Pull the Yellow Kevlar Shock Cord up tight against the Red Centering Ring.



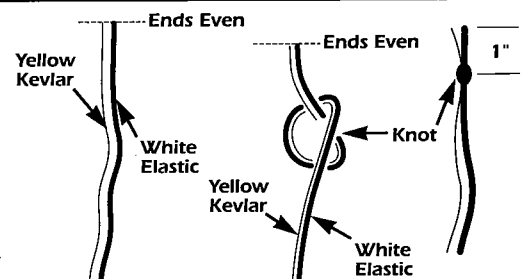
## STEP 5

- Apply white glue around inside edge of Yellow Motor Mount Tube as shown.
- Insert the Blue Thrust Ring into the Yellow Motor Mount Tube so it is even with the end of the Yellow Motor Mount Tube.



## STEP 6

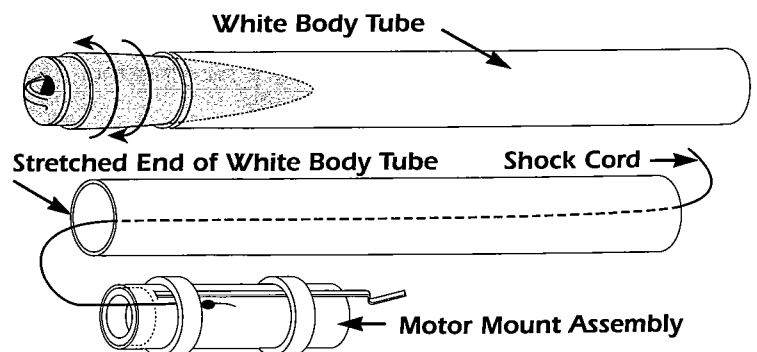
- Hold the Yellow Kevlar Shock Cord and the White Elastic Shock Cord side by side. Pull one end of each cord so that they are even with each other. While holding the two cords together, tie a single parallel overhand knot approximately one inch in from the even ends as shown.
- Gently pull on both cords to set the knot and prevent it from slipping.
- Apply a small amount of white glue on the ends of both cords to prevent them from fraying.



NOTE: THIS IS A VERY IMPORTANT STEP. IF YOU TIE A DIFFERENT TYPE OF KNOT, THE SHOCK CORDS MAY SEPARATE DURING FLIGHT!

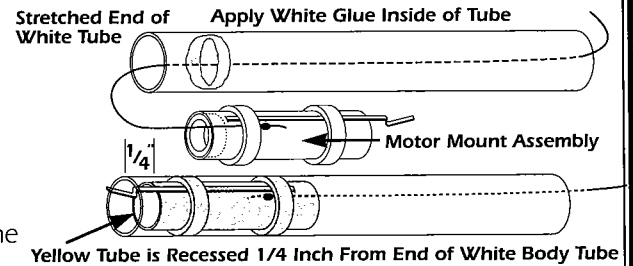
## STEP 7

- Stretch one end of the Body Tube slightly by inserting the nose cone into the tube and gently twisting it back and forth a few times.
- Hold the Body Tube with the stretched end facing up and "feed" the shock cord into the tube until the cord comes out the other end.
- Grab the end of the shock cord and pull it all the way through the tube until the Motor Mount assembly that is attached to the other end pulls up against the tube.



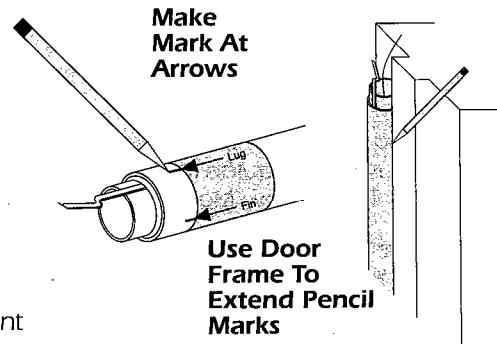
## STEP 8

- Hold the Motor Mount Assembly and the Body Tube in one hand.
- Apply White Glue around the inside of the Body Tube.
- Immediately insert the Motor Mount Assembly and PUSH IT INTO THE BODY TUBE WITH ONE FAST & SMOOTH MOTION until the Yellow Motor Mount Tube is recessed 1/4 inch in from the end of the Body Tube.



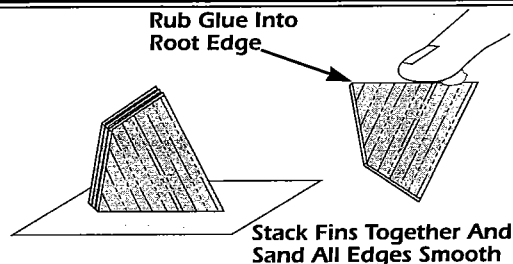
## STEP 9

- Cut out the tube marking guide from the front page of the instruction sheet
- Wrap the tube marking guide around the body tube. Align the arrow that is marked "launch lug" with the motor clip. Mark the body tube at each of the arrows with a pencil.
- Use a door frame as a guide and extend each of the pencil marks 8 inches up from the rear of the body tube.
- Save the tube marking guide as a reference for fin placement in step 11 & 12 & booster step 6.



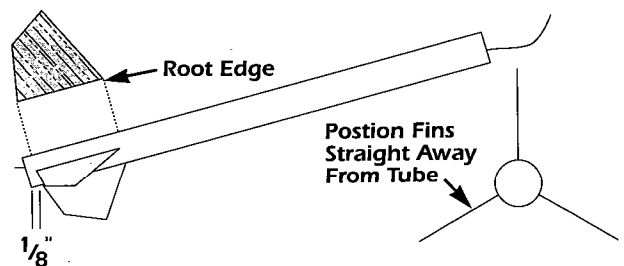
## STEP 10

- Carefully remove all the die-cut balsa parts from the sheet with a sharp hobby knife.
- Stack alike parts together and sand all edges smooth.
- Identify the root edge of each part and rub a small line of white glue into the root edge of each fin. Set aside to dry.



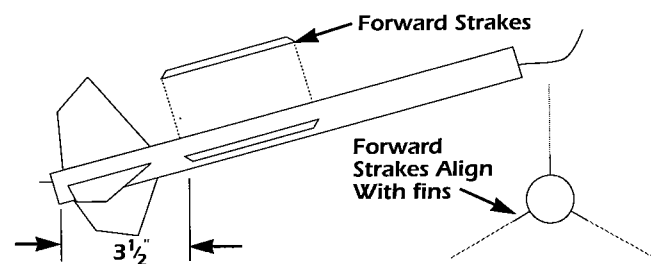
## STEP 11

- Apply a small line of white glue along the root edge of one of the fins. Position the fin along one of the alignment lines on the body tube 1/8 inch from the end as shown. Adjust the fin so that it projects straight away from the body tube as shown.
- Allow the glue to set for a few minutes and then repeat this step for the remaining two fins.



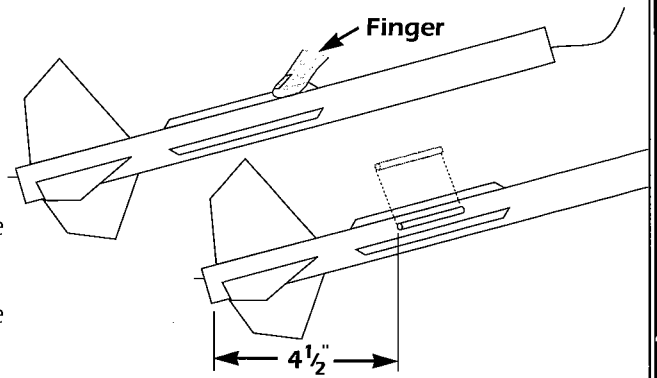
## STEP 12

- Use the ruler on the front of this instruction sheet to make a pencil mark on the fin lines 3.5 inches from the rear of the White Body Tube.
- Apply a small line of white glue to one of the forward strakes and position it at the pencil mark you made on one of the fin lines on the body tube. Sight along the body tube to check that forward stake is aligned with rear fin.
- Allow glue to dry for a few minutes and repeat for the other two forward strakes



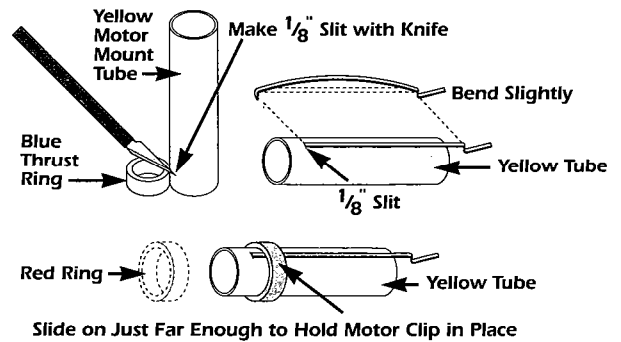
## STEP 13

- After the glue is completely dry apply a small bead of white glue to all the fin/body tube joints. Smooth the glue out with your finger. Wipe excess glue off your finger onto a tissue or paper towel.
- Use the ruler on the front of this instruction sheet to make a pencil mark on the launch lug line 4.5 inches from the end of the body tube as shown.
- Apply white glue to the launch lug and place it straight along the pencil line with one end even with the pencil mark 4.5 inches from the end of the tube as shown.



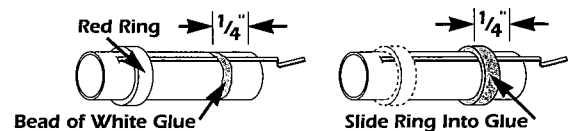
## BOOSTER STEP 1

- Place the Blue Thrust Ring up against the side of the Yellow Motor Mount Tube and use it as a guide to make a small 1/8 inch long slit in the side of the Yellow Motor Mount Tube as shown.
- Make a slight bend in the Motor Clip as shown. Insert the Motor Clip into the slit you made in the Yellow Motor Mount Tube.
- Slide one of the Red Centering Rings onto the Yellow tube just far enough to hold the motor clip in place.



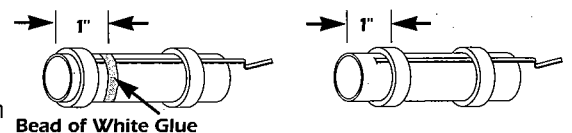
## BOOSTER STEP 2

- Apply a bead of white glue around the Yellow Motor Mount Tube 1/4 inch from the aft (rear) end as shown.
- Slide the Red Ring into the bead of glue. Wipe away any excess glue.



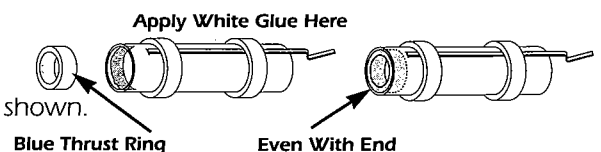
## BOOSTER STEP 3

- Slide the remaining Red Ring just onto the end of the Yellow Tube.
- Apply a bead of white glue around the Yellow Motor Mount Tube 1 inch from the forward end as shown.
- Slide the Red Ring into the bead of glue. Wipe away any excess glue.



## BOOSTER STEP 4

- Apply white glue around inside edge of Yellow Motor Mount Tube as shown.
- Insert the Blue Thrust Ring into the Yellow Motor Mount Tube so it is even with the end of the Yellow Motor Mount Tube.



## BOOSTER STEP 5

- Apply white glue around inside of 3 inch booster tube as shown.
- Immediately insert the motor mount assembly and PUSH IT IN WITH ONE FAST & SMOOTH MOTION until red ring is even with the end of the tube. The Yellow Motor Mount Tube should extend 1/4 inch beyond the end of the tube.

