
Center of Gravity (CG) - Manual Addendum F-27 Evolution EFL5650 and EFL5675

The CG location is measured from firewall forward. This CG location has been determined with the recommended Li-Po battery (EFLB22003S300).



Schwerpunkt (CG) - Handbuchzusatz F-27 Evolution EFL5650 und EFL5675

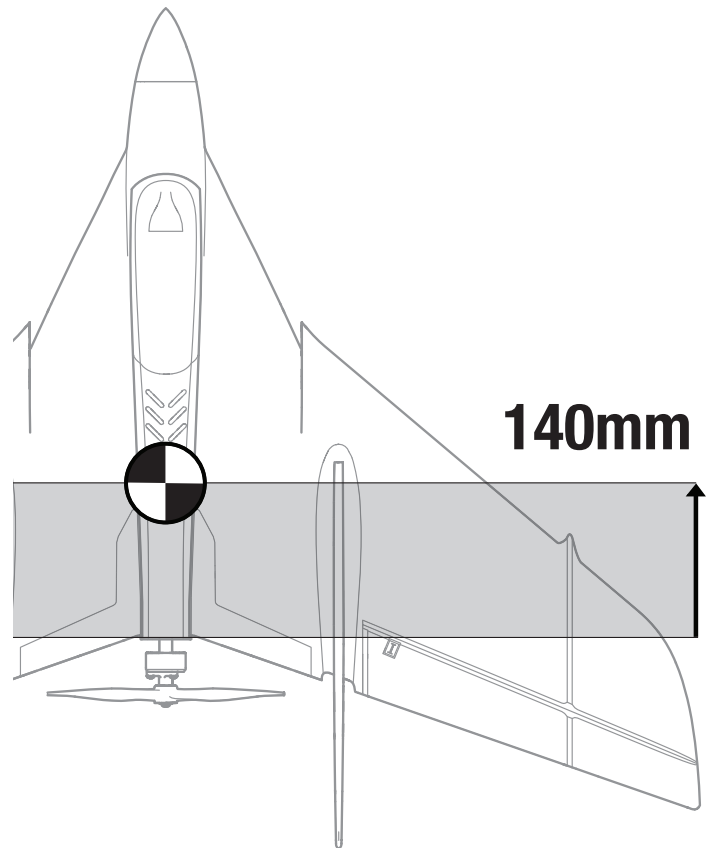
Die CG-Position wird nach vor dem Brandschott. Diese CG-Position wurde mit dem empfohlenen Li-Po-Akku (EFLB22003S300) bestimmt.

Centre de Gravité (CG)- Addendum au manuel F-27 Evolution EFL5650 et EFL5675

L'emplacement du centre de gravité se mesure devant le pare-feu. La position du CG a été déterminée en utilisant la batterie Li-Po recommandée (EFLB22003S300).

Baricentro (CG)- addendum manuale F-27 Evolution EFL5650 e EFL5675

La posizione del baricentro (CG) viene misurata a partire dal bordo di entrata dell'ala in corrispondenza della sua radice. La posizione del baricentro è stata determinata considerando l'uso della batteria LiPo consigliata (EFLB22003S300).



© 2018 Horizon Hobby, LLC.

E-flite, F-27D Evolution, and the Horizon Hobby logo are trademarks or registered trademarks of Horizon Hobby, LLC.

All other trademarks, service marks and logos are property of their respective owners.

US 8,672,726. US 9,056,667. Other patents pending.

<http://www.HorizonHobby.com/>

Created 02/2018 57994

EFL5650, EFL5675

F-27 Evolution™
