

NOTICE

All instructions, warranties and other collateral documents are subject to change at the sole discretion of Horizon Hobby, LLC. For up-to-date product literature, visit horizonhobby.com and click on the support tab for this product.

MEANING OF SPECIAL LANGUAGE

The following terms are used throughout the product literature to indicate various levels of potential harm when operating this product:

WARNING: Procedures, which if not properly followed, create the probability of property damage, collateral damage, and serious injury OR create a high probability of superficial injury.

CAUTION: Procedures, which if not properly followed, create the probability of physical property damage AND possibility of serious injury.

NOTICE: Procedures, which if not properly followed, create a possibility of physical property damage AND little or no possibility of injury.

WARNING: Read the ENTIRE instruction manual to become familiar with the features of the product before operating. Failure to operate the product correctly can result in damage to the product, personal property and cause serious injury.

This is a sophisticated hobby product. It must be operated with caution and common sense and requires some basic mechanical ability. Failure to operate this Product in a safe and responsible manner could result in injury or damage to the product or other property. This product is not intended for use by children without direct adult supervision. Do not attempt disassembly, use with incompatible components or augment product in any way without the approval of Horizon Hobby, LLC. This manual contains instructions for safety, operation and maintenance. It is essential to read and follow all the instructions and warnings in the manual, prior to assembly, setup or use, in order to operate correctly and avoid damage or serious injury.

Age Recommendation: Not for children under 14 years. This is not a toy.

NOTICE: This appliance is not intended for use by persons with reduced physical, sensory or mental capabilities, or lack of experience and knowledge, unless they have been given supervision or instruction concerning use of the appliance by a person responsible for their safety.

DANGER: To reduce the risk of fire or electric shock, carefully follow these instructions.

CAUTION: If at any time during the charge process the battery pack becomes hot or begins to puff, disconnect the battery immediately and discontinue the charge process as batteries can cause fire, collateral damage and injuries.

CAUTION: Using a charge rate that is not compatible with the battery capacity may result in damage or malfunction of the charger or battery.

CAUTION: The Lithium charge program menus are to be used ONLY for the charging and discharging of Lithium battery packs. Charging other battery types using the Lithium charge programs will damage the battery or the charger.

CHARGING WARNINGS

WARNING: Failure to exercise caution while using this product and comply with the following warnings could result in product malfunction, electrical issues, excessive heat, FIRE, and ultimately injury and property damage.

- NEVER LEAVE CHARGING BATTERIES UNATTENDED DURING USE.
- NEVER CHARGE BATTERIES OVERNIGHT.
- Never attempt to charge dead, damaged or wet battery packs.
- Never attempt to charge a battery pack containing different types of batteries.
- Never allow children under 14 years of age to charge battery packs.
- Never charge batteries in extremely hot or cold places or place in direct sunlight.
- Never charge a battery if the cable has been pinched or shorted.
- Never connect the charger if the power cable has been pinched or shorted.
- Never connect the charger to an automobile 12V battery while the vehicle is running.
- Never attempt to dismantle the charger or use a damaged charger.
- Never attach your charger to both an AC and a DC power source at the same time.
- Never connect the input jack (DC input) to AC power.
- Always use only rechargeable batteries designed for use with this type of charger in the correct programming mode.
- Always inspect the battery before charging.
- Always keep the battery away from any material that could be affected by heat.
- Always monitor the charging area and have a fire extinguisher available at all times.
- Always end the charging process if the battery becomes hot to the touch or starts to change form (swell) during the charge process.
- Always connect the charge cable to the charger first, then connect the battery to avoid short circuit between the charge leads. Reverse the sequence when disconnecting.
- Always connect the positive red leads (+) and negative black leads (-) correctly.
- Always disconnect the battery after charging, and let the charger cool between charges.
- Always charge in a well-ventilated area.
- Always terminate all processes and contact Horizon Hobby if the product malfunctions.
- Charge only rechargeable batteries. Charging non-rechargeable batteries may cause the batteries to burst, resulting in injury to persons and/or damage to property.
- The socket-outlet shall be installed near the equipment and shall be easily accessible.

WARNING: Never leave charger unattended, exceed maximum charge rate, charge with non-approved batteries or charge batteries in the wrong mode. Failure to comply may result in excessive heat, fire and serious injury.

CAUTION: Always ensure the battery you are charging meets the specifications of this charger and that the charger settings are correct. Not doing so can result in excessive heat and other related product malfunctions, which can lead to user injury or property damage. Please contact Horizon Hobby or an authorized retailer with compatibility questions.

Included Items	
AC Power Cord	
Charge Adapter: Banana to EC3™ Device (DYNC0072)	
Balancing Adapter Board: XH (DYN5032)	
Optional Items	
Temperature Sensor (DYN5033)	
Dynamite® LiPo Charge Bag: small (DYN1400), large (DYN1405)	
Specifications	
Input Voltage	100–240V AC (50–60Hz); 11–18V DC
Charging Capability	2–4S Li-Po/Li-Ion/Li-Fe; 6–8C Ni-Cd/Ni-MH; 2–12V Pb
Battery Capacities	100–50000 mAh
Charge Current	0.1A–6A (in 0.1A Increments/60W max)
Discharge Current	0.10A–2.0A (in 0.1A Increments/10W max)
Balance Current	200mA max
Charging Mode	Ni-Cd/Ni-MH: Peak; Li-Po/Li-Ion/Li-Fe/Pb: CC/CV
Protection	Short-circuit, over-current, reverse polarity, low input voltage, over-temperature

GETTING STARTED

CAUTION: Before charging, always ensure you have chosen the correct battery chemistry type for the battery you are charging.

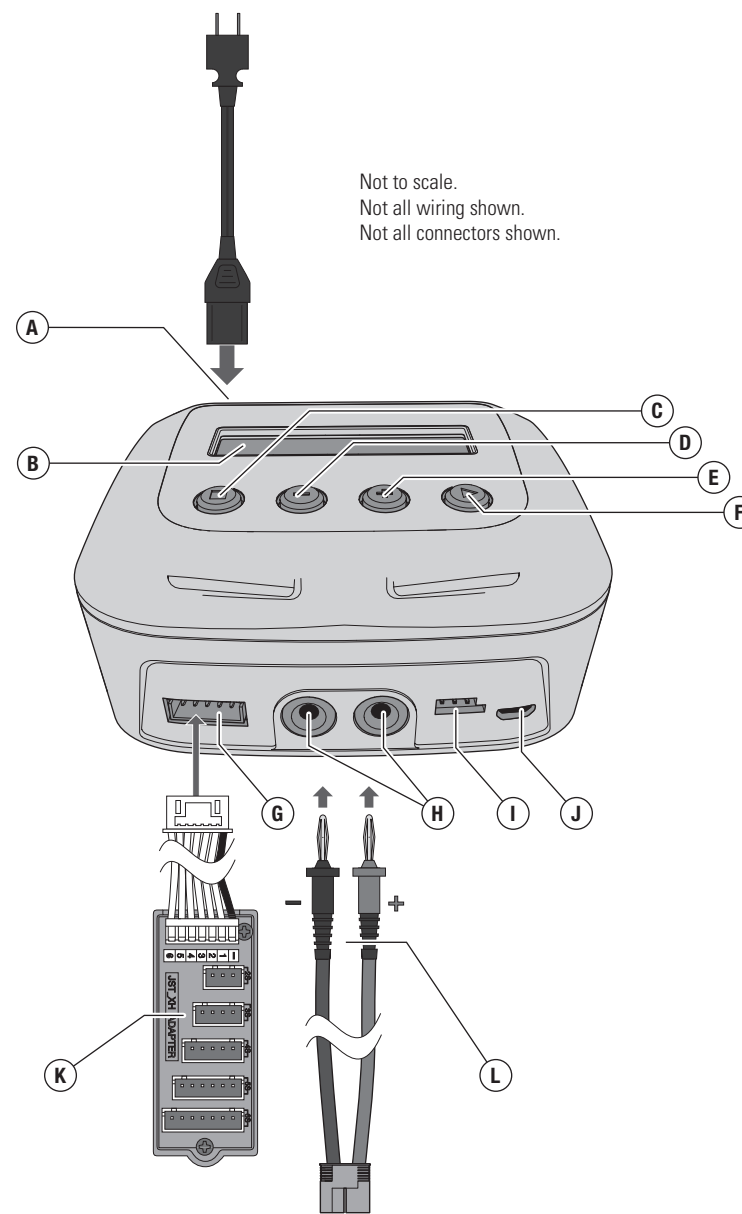
1. Connect the AC power cord to the charger **AC Power Input Port**.
2. Connect the AC power cord to the AC power source.
3. When the charger is powered ON, a message will appear on the **LCD Screen**.

CONNECTING BATTERIES TO THE CHARGER:

CAUTION: Always power ON the charger before connecting a battery, or damage to the charger and the battery can result.

1. Connect the charger to the power source.
2. Select the charging settings.
3. Connect the banana plugs of the battery adapter cable to the Power Output, making sure that the positive and negative connectors are not reversed.
4. Connect the battery connector to the battery adapter cable.
5. Start battery charging.

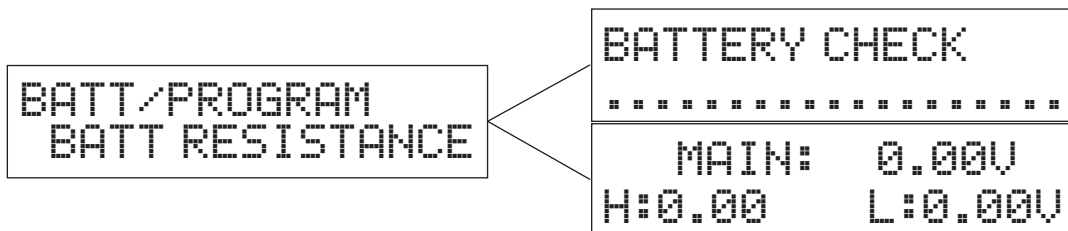
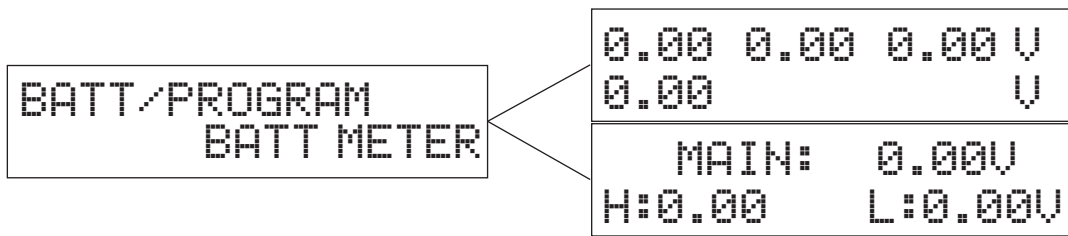
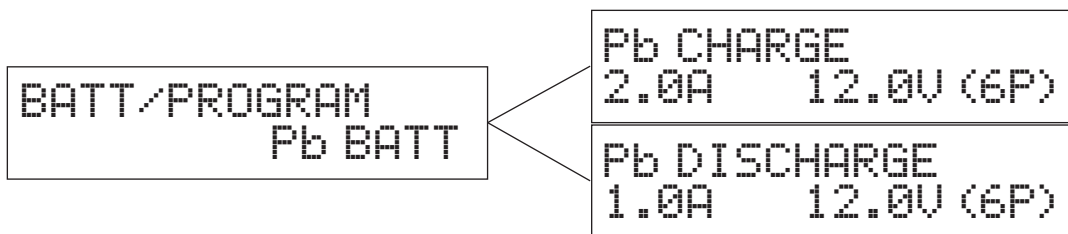
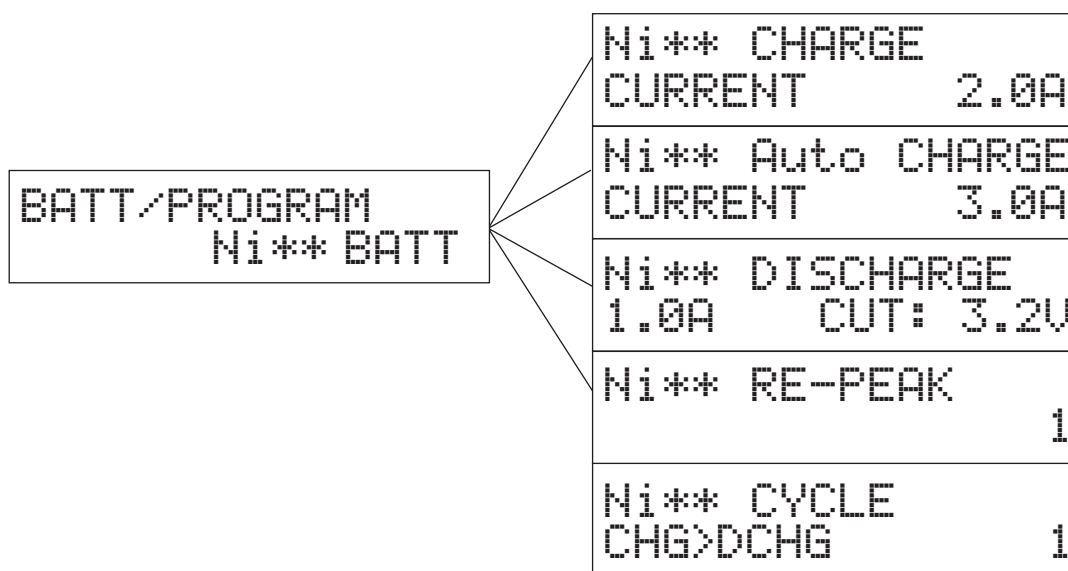
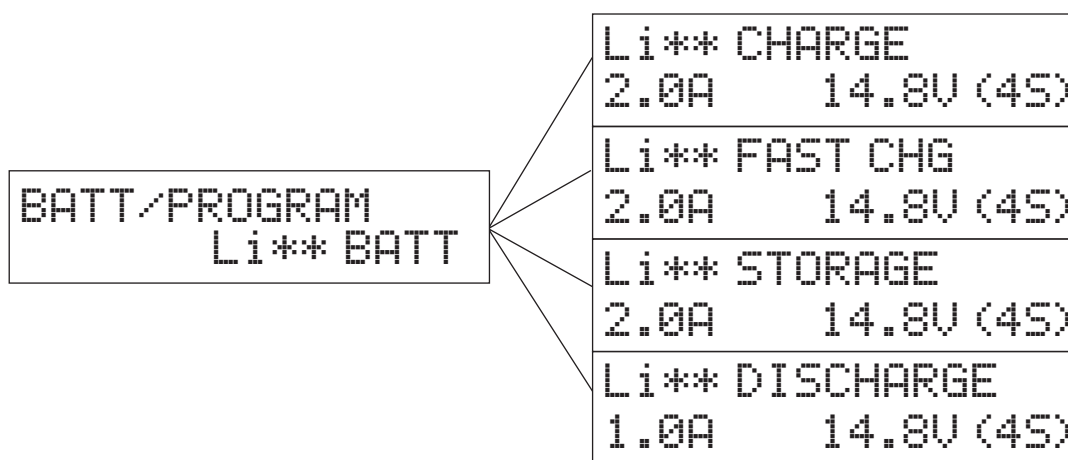
- A. AC Power input Port
- B. LCD Screen
- C. Batt / PROG Stop
- D. DEC (decrease)
- E. INC (increase)
- F. ENTER / Start
- G. Balance Board Connector
- H. Charge Port
- I. Temperature Sensor Port
- J. USB/PC Link Port
- K. Balance Adapter Board
- L. Battery Adapter Cable



Not to scale.
Not all wiring shown.
Not all connectors shown.

PROGRAMMING QUICK START GUIDE

1. Press **ENTER / Start** button to confirm you have read the manual and access the charger functions.
2. Press the **Batt / PROG Stop** button to access the root menu. Press the **DEC** or **INC** button to scroll through the main menu screens.
3. Press **ENTER / Start** to make a selection.
4. Press the **DEC** or **INC** button to scroll through the program options.
5. Press **ENTER / Start** to select a program option.
6. Press the **DEC** or **INC** Button to change the parameter. Press the **ENTER / Start** Button again to move to the next parameter.
7. Once the parameters are at the desired settings, press and hold the **ENTER / Start** Button for 3 seconds.
8. Press the **Batt / PROG Stop** Button at any time to stop charging.



OPERATING YOUR CHARGER

POWER UP SCREEN



When the charger is powered ON, there is a series of self tests and the charger will require the user to verify they have read the manual by pressing the **ENTER / Start** button. The charger will not proceed with charge functions until this process is completed.



LI-PO/LI-ION/LI-FE/LI-HV ARE SHOWN AS LI.**
MENUS DIFFER ONLY IN CELL AND PACK VOLTAGE VALUES.

LI** (LI-PO/LI-FE/LI-ION) LITHIUM CHARGING

1. Connect the banana plugs of the battery adapter cable to the charge port (**H,L**). Confirm the positive and negative connectors match, red to red (positive to positive) and black to black (negative to negative).
2. Connect the Balance Adapter Board to the Balance Port of the charge port (**G,K**).
3. Connect the battery connector to the battery adapter cable.
4. Connect the balance connector of the battery to the balance adapter.

WARNING: Always use a balance connector when charging lithium batteries.

5. Press the **Batt / PROG Stop** button to access the root menu. Press the **DEC** or **INC** button to scroll through the main menu screens until you reach Program Select=Li-Po/Li-Ion/Li-Fe.



6. Press **ENTER / Start**
7. Press the **DEC** or **INC** Button to scroll through the program options (Charge, Balance Charge, Storage, Discharge).
8. Press **ENTER / Start** to select a program option.



9. Press the **DEC** or **INC** Button to change the parameter. Press the **ENTER / Start** Button again to move to the next parameter.
10. Once the parameters are at the desired settings, press and hold the **ENTER / Start** Button for 3 seconds. Press **ENTER / Start** again to confirm and start the charge process.
11. The charger will check the battery and charger settings and charging will begin. The charger will beep and display the following screen:



12. Press the **DEC** Button to see the rest of the Charging information.
13. Press the **INC** Button to see the voltages for each cell. Press **ENTER / Start** to return to the charging screen.



14. Press the **Batt / PROG Stop** Button at any time to stop charging.
15. When charging is complete, the charger will sound a series of beeps.
16. Disconnect the battery from the charger when the charge is complete.

LI** (LI-PO/LI-FE/LI-ION) LITHIUM DISCHARGING

1. Connect the banana plugs of the battery adapter cable to the charge port (**H,L**). Confirm the positive and negative connectors match, red to red (positive to positive) and black to black (negative to negative).
2. Connect the Balance Port to the Balance Circuit Adapter Board (**G,K**).
3. Connect the battery connector to the battery adapter cable.
4. Connect the balance connector of the battery to the Balance Adapter Board.
5. Press the **Batt / PROG Stop** button to access the root menu. Press the **DEC** or **INC** button to scroll through the main menu screens until you reach Program Select=Li-Po/Li-Ion/Li-Fe.
6. Press the **ENTER / Start** Button.
7. The **DEC** or **INC** Button until Li-Po/Li-Ion/Li-Fe DCHG appears.



8. Press the **ENTER / Start** Button to edit the parameter.
9. Once the parameters are at the desired settings, press and hold the **ENTER / Start** Button for 3 seconds.
10. The charger will check the battery and charger settings and discharging will begin.
11. Press the **DEC** or **INC** Button to see the rest of the Discharging information.
12. Press **Batt / PROG Stop** at any time to stop discharging.
13. When discharging is complete, the charger will sound a series of beeps.
14. Disconnect the battery from the charger when the discharge is complete.

LI** (LI-PO/LI-FE/LI-ION) LITHIUM STORAGE CHARGING

1. Connect the banana plugs of the battery adapter cable to the charge port (**H,L**). Confirm the positive and negative connectors match, red to red (positive to positive) and black to black (negative to negative).
2. Connect the Balance Adapter Board to the Balance Port of the charge port (**G,K**).
3. Connect the battery connector to the battery adapter cable.
4. Connect the balance connector of the battery to the balance adapter.
5. Press the **Batt / PROG Stop** button to access the root menu. Press the **DEC** or **INC** button to scroll through the main menu screens until you reach Program Select=Li-Po/Li-Ion/Li-Fe.
6. Press the **ENTER / Start** Button.
7. The **DEC** or **INC** Button until Li-Po/Li-Ion/Li-Fe STORAGE appears.



8. Press the **ENTER / Start** Button to edit the parameter.
9. Once the parameters are at the desired settings, press and hold the **ENTER / Start** Button for 3 seconds. Press **ENTER / Start** again to confirm and start the process.
10. The charger will check the battery and charger settings and storage charging will begin.
11. Press the **DEC** or **INC** Button to see the rest of the storage charging information.
12. Press **Batt / PROG Stop** at any time to stop charging.
13. When the storage process is complete, the charger will sound a series of beeps.
14. Disconnect the battery from the charger when the storage process is complete.

NI-MH/NI-CD CHARGING IS SHOWN AS NI**. FOLLOW THESE INSTRUCTIONS FOR BOTH NI-MH AND NI-CD CHARGING.

WARNING: Never charge lithium batteries in Ni-MH, Ni-CD, or Pb mode.

NI** (NI-MH/NI-CD) CHARGING

- Connect the banana plugs of the battery adapter cable to the charge port (**H,L**). Confirm the positive and negative connectors match, red to red (positive to positive) and black to black (negative to negative).
- Connect the battery connector to the battery adapter cable.
- Press the **Batt / PROG Stop** button to access the root menu. Press the **DEC** or **INC** button to scroll through the main menu screens until you reach Program Select=Ni-MH or Ni-Cd.
- Press the **ENTER / Start** button.

```
BATT/PROGRAM
Ni** BATT
```

- Press the **DEC** or **INC** Button until Ni-MH/Ni-Cd CHARGE appears.

```
Ni** CHARGE
CURRENT 2.0A
```

- Press the **ENTER / Start** Button to edit the parameter.
- Once the parameters are at the desired settings, press and hold the **ENTER / Start** button for 3 seconds.
- The charger will check the battery and charger settings and charging will begin.
- Press the **DEC** or **INC** Button to see the rest of the Discharging information.
- Press **Batt / PROG Stop** at any time to stop discharging.
- When charging is complete, the charger will sound a series of beeps.
- Disconnect the battery from the charger when the charge is complete.

NI** (NI-MH/NI-CD) DISCHARGING

- Connect the banana plugs of the battery adapter cable to the charge port (**H,L**). Confirm the positive and negative connectors match, red to red (positive to positive) and black to black (negative to negative).
- Connect the battery connector to the battery adapter cable.
- Press the **Batt / PROG Stop** button to access the root menu. Press the **DEC** or **INC** button to scroll through the main menu screens until you reach Program Select=Ni-MH/Ni-Cd.

```
Ni** DISCHARGE
1.0A CUT: 3.2V
```

scroll through the main menu screens until you reach Program Select=Ni-MH/Ni-Cd.

- Press the **ENTER / Start** button.
- Press the **DEC** or **INC** Button until Ni-MH/Ni-Cd DISCHARGE appears.
- Press the **ENTER / Start** Button to edit the parameter.
- Once the parameters are at the desired settings, press and hold the **ENTER / Start** button for 3 seconds.
- The charger will check the battery and charger settings and charging will begin.
- Press the **DEC** or **INC** Button to see the rest of the Discharging information.
- Press **Batt / PROG Stop** at any time to stop discharging.
- When discharging is complete, the charger will sound a series of beeps.
- Disconnect the battery from the charger when the discharge is complete.

NI** (NI-MH/NI-CD) CYCLE CHARGING

- Connect the banana plugs of the battery adapter cable to the charge port (**H,L**). Confirm the positive and negative connectors match, red to red (positive to positive) and black to black (negative to negative).
- Connect the battery connector to the battery adapter cable.
- Press the **Batt / PROG Stop** button to access the root menu. Press the **DEC** or **INC** button to scroll through the main menu screens until you reach Program Select=Ni-MH/Ni-Cd.
- Press the **ENTER / Start** button.
- Press the **DEC** or **INC** button until Ni-MH/Ni-Cd CYCLE appears.

```
Ni** CYCLE
CHG>DCHG 1
```

- Press the **ENTER / Start** button to select the cycle direction. The direction may be changed with the lettering is flashing, press the **DEC** or **INC** button to change between CHG>DCHG or DCHG>CHG.
- Press the **ENTER / Start** Button to define the number of cycles. When the number flashes number of cycles can be set with the **DEC** or **INC** button. Current settings for charge and discharge rates will be applied for Ni** cycling
- Once the parameters are set, press and hold the **ENTER / Start** button for 3 seconds.
- The charger will check the battery and charger settings and charging will begin.
- Press the **DEC** or **INC** Button to see the rest of the Cycle information.
- Press **Batt / PROG Stop** at any time to stop discharging.
- When cycling is complete, the charger will sound a series of beeps.
- Disconnect the battery from the charger when the cycle is complete.

TROUBLESHOOTING

During charger operation, circuits monitor battery and charger functions. If the following messages show on the charger's LCD screen, make the recommended responses. If the message continues after you respond as recommended, contact your nearest Horizon Hobby customer service center for assistance.

REVERSE POLARITY	Confirm polarity is correct between the charger and the battery.
CONNECTION BREAK	The battery connection has been broken
CONNECT ERROR CHECK MAIN PORT	The battery connection is incorrect
BALANCE CONNECT ERROR	The balance connection is incorrect
CELL ERROR LOW VOLTAGE	The voltage of one cell in the battery pack is too low
CELL ERROR HIGH VOLTAGE	The voltage of one cell in the battery pack is too high
CELL ERROR VOLTAGE-INVALID	The voltage of one cell in the battery pack is invalid
CELL NUMBER INCORRECT	The number of cells the charger is set for does not match the battery
INT. TEMP. TOO HI	The internal temperature of the charger is too high
EXT. TEMP. TOO HI	The external temperature of the battery is too high (the optional temp probe DYN5033 is required to test external temperature)
OVER CHARGE CAPACITY LIMIT	The charger has stopped charging because it reached the capacity limit set by the user
OVER THE LIMIT	The charger has stopped chargin because it reached the charge time limit
BATTERY WAS FULL	The battery voltage is higher than the maximum voltage set by the user when the charge is initiated
CONTROL FAIL	Battery pack voltage is lower than 5 volts. The Prophet P1 Mini cannot charge a pack with a voltage less than 5 volts.

CAUTION: The Pb charge program menus are to be used ONLY for the charging and discharging of Pb battery packs. Charging other battery types using the Pb charge programs will damage the battery or the charger.

PB CHARGING

- Connect the banana plugs of the battery adapter cable to the charge port (**H,L**). Confirm the positive and negative connectors match, red to red (positive to positive) and black to black (negative to negative).
- Connect the battery connector to the battery adapter cable.
- Press the **Batt / PROG Stop** button to access the root menu. Press the **DEC** or **INC** button to scroll through the main menu screens until you reach Program Select=Pb BATT.

```
BATT/PROGRAM
Pb BATT
```

scroll through the main menu screens until you reach Program Select=Pb BATT.

```
Pb CHARGE
2.0A 12.0V (6P)
```

- Press the **ENTER / Start** button.
- Press the **DEC** or **INC** Button until Pb CHARGE appears.
- Press the **ENTER / Start** Button to edit the parameter.
- Once the parameters are at the desired settings, press and hold the **ENTER / Start** button for 3 seconds.
- The charger will check the battery and charger settings and charging will begin.
- Press the **DEC** or **INC** Button to see the rest of the charging information.
- Press **Batt / PROG Stop** at any time to stop discharging.
- When charging is complete, the charger will sound a series of beeps.
- Disconnect the battery from the charger when the charge is complete.

PB DISCHARGING

- Connect the banana plugs of the battery adapter cable to the charge port (**H,L**). Confirm the positive and negative connectors match, red to red (positive to positive) and black to black (negative to negative).
- Connect the battery connector to the battery adapter cable.
- Press the **Batt / PROG Stop** button to access the root menu. Press the **DEC** or **INC** button to scroll through the main menu screens until you reach Program Select=Pb BATT.
- Press the **ENTER / Start** button.

```
Pb DISCHARGE
1.0A 12.0V (6P)
```

- Press the **DEC** or **INC** Button until Pb DISCHARGE appears.
- Press the **ENTER / Start** Button to edit the parameter.
- Once the parameters are at the desired settings, press and hold the **ENTER / Start** button for 3 seconds.
- The charger will check the battery and charger settings and discharging will begin.
- Press the **DEC** or **INC** Button to see the rest of the Discharging information.
- Press **Batt / PROG Stop** at any time to stop discharging.
- When discharging is complete, the charger will sound a series of beeps.
- Disconnect the battery from the charger when the discharge is complete.

SYSTEM SETTINGS

```
BATT/PROGRAM
SYSTEM SETTING->
```

- Press the **Batt / PROG Stop** button to access the root menu. Press the **DEC** or **INC** button to scroll through the main menu screens until you reach BATT/PROGRAM SYSTEM SETTINGS page.
- Press the **ENTER / Start** button to enter the system setting menu.
- Press the **DEC** or **INC** button to scroll through the menu.
- Press the **ENTER / Start** button to edit the parameter.
- Press the **DEC** or **INC** button to increase or decrease the value.
- Press the **ENTER / Start** button again to save the selection.
- Press the **Batt / PROG Stop** button to return to the main menu.

SAFETY TIMER DEFAULT IS ON, 120MIN

Use the Safety Timer menu to set a time limit for charging a battery. When a charge cycle is started, a clock inside the charger will begin recording the elapsed charge time. If the safety timer function has been turned ON, the charger will stop the charging process once this time limit has been reached to avoid damage caused by overcharging the battery. This time value can be set between 10 and 720 minutes, in 10 minute Increments.

```
Safety Timer
ON 120Min
```

CAPACITY CUT-OFF DEFAULT IS ON, 5000MAH

Use the Capacity Cut-Off menu to set a capacity limit on when the charger stops charging a battery. When a charge cycle starts, the charger records the battery capacity. When the capacity cutoff function is set at ON, the charger will stop charging at the capacity limit to prevent battery damage. Capacity can be adjusted between 10 and 50,000mAh in 100mAh Increments.

```
Capacity Cut-Off
ON 5000MAH
```

TEMP. CUT-OFF DEFAULT IS 50C/122F

The charger can be used in conjunction with a battery mounted temperature sensor (sold separately, DYN5033) connected to the Temperature Sensor Port to monitor the temperature of the battery during the charging process. If the battery temperature reaches the cut-off limit, the charger will stop the charging process. Temperature values can be adjusted between 20–80° C (68–176° F).

```
Temp Cut-Off
On 50C 122F
```

The following screen sets the charger for Celcius or Farenheit.

```
Temperature Unit
Celcius
```

REST TIME FOR CYCLE– DEFAULT IS 10 MINUTES

Sets the delay during a Charge/Discharge cycle, after the charge completes, before the discharge begins.

```
Rest Time
CHG>DCHG 10Min
```

NI-MH SENSITIVITY D. PEAK – DEFAULT

The D.Peak (Delta Peak) value is adjustable between 3mV/Cell and 15mV/Cell. 8mV/Cell is a good starting point for Ni-MH batteries. If the Delta Peak value is too high, you risk overcharging the battery; if the value is too low, charging will stop before the battery reaches full capacity.

```
NiMH Sensitivity
D.Peak 4mV
```

NI-CD SENSITIVITY D. PEAK – DEFAULT

The D.Peak (Delta Peak) value is adjustable between 3mV/Cell and 15mV/Cell. 10mV/Cell is a good starting point for Ni-Cd batteries. If the Delta Peak value is too high, you risk overcharging the battery; if the value is too low, charging will stop before the battery reaches full capacity.

```
NiCd Sensitivity
D.Peak 4mV
```

KEY BEEP (DEFAULT ON) / BUZZER (DEFAULT ON)

Use the Key Beep/Buzzer menu to set the key beep and charger alarm buzzer at ON or OFF as needed. We recommend that you leave the alarm ON to alert you when charging is complete or if there is cause for alarm during charging.

```
Key Beep
Buzzer ON
ON
```

BALANCE CONNECTION (DEFAULT ON)

When the Balance connection is on the charger will require a balance connection for Li-XX batteries and will confirm the batteries are within safe limits or the charger will not start the charge process.

```
Bal. Connection
ON
```

LOAD FACTORY SETTINGS PRESS ENTER > 2S

Press the **ENTER / Start** button for more than 2 seconds to reset all charger values to the default values.

```
Load Factory Set
Enter
```

BATTERY MEMORY

The charger can store up to 10 settings for specific batteries. The following images show programming a Li** battery, options will vary with Ni** and Pb battery types.

```
BATT/PROGRAM
BATT MEMORY
```

- Press the **Batt / PROG Stop** button to access the root menu. Press the **DEC** or **INC** button to scroll through the main menu screens until you reach BATT/PROGRAM BATT MEMORY.
- Press the **ENTER / Start** button to enter the Battery Memory settings
- Press the **DEC** or **INC** button to select the battery memory (1-10) you wish to configure.

```
[ BATT MEMORY X ]
ENTER SET->
```

- Press the **ENTER / Start** button to go to the first page of settings for the selected battery memory.
- Press the **ENTER / Start** button to edit the parameter.
- Press the **DEC** or **INC** button to increase or decrease the value of each page. When the value is flashing it can be adjusted with the increase or decrease buttons.

```
BATT TYPE
LiPo
```

- Press the **ENTER / Start** button again to save the selection. When all the values on the page are solid and do not flash, pressing the increase or decrease buttons will move to the next value in the battery memory.
- Complete the menu options for the battery memory, and press the **ENTER / Start** on the Save Program page to save the battery memory. The changes to the battery memory will not be saved if this option is not selected.

```
BATT VOLTAGE
14.8V(4S)
```

```
CHARGE CURRENT
2.0A
```

```
DISCHRG CURRENT
1.0A
```

```
DISCHG VOLTAGE
3.0V/CELL
```

```
TVC=YOUR RISK!
4.20V
```

- Press the **Batt / PROG Stop** button to return to the main menu.

```
SAVE PROGRAM
ENTER
```

- To select a battery memory, access the BATT/PROGRAM BATT MEMORY screen, select the memory number desired and press the **ENTER / Start** button to start the charge.
- Re-load the factory settings in the SYSTEM SETTINGS menu to reset the battery memory slots.

LIMITED WARRANTY

LIMITED WARRANTY

What this Warranty Covers - Horizon Hobby, LLC, (Horizon) warrants to the original purchaser that the product purchased (the "Product") will be free from defects in materials and workmanship for a period of 5 years from the date of purchase.

What is Not Covered - This warranty is not transferable and does not cover (i) cosmetic damage, (ii) damage due to acts of God, accident, misuse, abuse, negligence, commercial use, or due to improper use, installation, operation or maintenance, (iii) modification of or to any part of the Product, (iv) attempted service by anyone other than a Horizon Hobby authorized service center, (v) Product not purchased from an authorized Horizon dealer, (vi) Product not compliant with applicable technical regulations, or (vii) use that violates any applicable laws, rules, or regulations OTHER THAN THE EXPRESS WARRANTY ABOVE, HORIZON MAKES NO OTHER WARRANTY OR REPRESENTATION, AND HEREBY DISCLAIMS ANY AND ALL IMPLIED WARRANTIES, INCLUDING, WITHOUT LIMITATION, THE IMPLIED WARRANTIES OF NON-INFRINGEMENT, MERCHANTABILITY AND FITNESS FOR A PARTICULAR PURPOSE. THE PURCHASER ACKNOWLEDGES THAT THEY ALONE HAVE DETERMINED THAT THE PRODUCT WILL SUITABLY MEET THE REQUIREMENTS OF THE PURCHASER'S INTENDED USE.

Purchaser's Remedy - Horizon's sole obligation and purchaser's sole and exclusive remedy shall be that Horizon will, at its option, either (i) service, or (ii) replace, any Product determined by Horizon to be defective. Horizon reserves the right to inspect any and all Product(s) involved in a warranty claim. Service or replacement decisions are at the sole discretion of Horizon. Proof of purchase is required for all warranty claims. SERVICE OR REPLACEMENT AS PROVIDED UNDER THIS WARRANTY IS THE PURCHASER'S SOLE AND EXCLUSIVE REMEDY. Limitation of Liability - HORIZON SHALL NOT BE LIABLE FOR SPECIAL, INDIRECT, INCIDENTAL OR CONSEQUENTIAL DAMAGES, LOSS OF PROFITS OR PRODUCTION OR COMMERCIAL LOSS IN ANY WAY, REGARDLESS OF WHETHER SUCH CLAIM IS BASED IN CONTRACT, WARRANTY, TORT, NEGLIGENCE, STRICT LIABILITY OR ANY OTHER THEORY OF LIABILITY, EVEN IF HORIZON HAS BEEN ADVISED OF THE POSSIBILITY OF SUCH DAMAGES. Further, in no event shall the liability of Horizon exceed the individual price of the Product on which liability is asserted. As Horizon has no control over use, setup, final assembly, modification or misuse, no liability shall be assumed nor accepted for any resulting damage or injury. By the act of use, setup or assembly, the user accepts all resulting liability. If you as the purchaser or user are not prepared to accept the liability associated with the use of the Product, purchaser is advised to return the Product immediately in new and unused condition to the place of purchase.

Law - These terms are governed by Illinois law (without regard to conflict of law principals). This warranty gives you specific legal rights, and you may also have other rights which vary from state to state. Horizon reserves the right to change or modify this warranty at any time without notice. **WARRANTY SERVICES** Questions, Assistance, and Services - Your local hobby store and/or place of purchase cannot provide warranty support or service. Once assembly, setup or use of the Product has been started, you must contact your local distributor or Horizon directly. This will enable Horizon to better answer your questions and service you in the event that you may need any assistance. For questions or assistance,

WARRANTY AND SERVICE CONTACT INFORMATION

Country of Purchase	Horizon Hobby	Contact Information	Address
United States of America	Horizon Service Center (Repairs and Repair Requests)	servicecenter.horizonhobby.com/RequestForm/	1608 Interstate Drive Champaign, Illinois, 61822 USA
	Horizon Product Support (Product Technical Assistance)	productsupport@horizonhobby.com. 877-504-0233	
	Sales	websales@horizonhobby.com 800-338-4639	
EU	Horizon Technischer Service Sales: Horizon Hobby GmbH	service@horizonhobby.eu +49 (0) 4121 2655 100	Hanskampring 9 D 22885 Barsbüttel, Germany

FCC INFORMATION

Note: This equipment has been tested and found to comply with the limits for a Class B digital device, pursuant to part 15 of the FCC Rules. These limits are designed to provide reasonable protection against harmful interference in a residential installation. This equipment generates uses and can radiate radio frequency energy and, if not installed and used in accordance with the instructions, may cause harmful interference to radio communications. However, there is no guarantee that interference will not occur in a particular installation. If this equipment does cause harmful interference to radio or television reception, which can be determined by turning the equipment off and on, the user is encouraged to try to correct the interference by one or more of the following measures:

- Reorient or relocate the receiving antenna.
- Increase the separation between the equipment and receiver.
- Connect the equipment into an outlet on a circuit different from that to which the receiver is connected.
- Consult the dealer or an experienced radio/TV technician for help

Changes or modifications not expressly approved by the party responsible for compliance could void the user's authority to operate the equipment.