

NOTICE

All instructions, warranties and other collateral documents are subject to change at the sole discretion of Horizon Hobby, LLC. For up-to-date product literature, visit horizonhobby.com and click on the support tab for this product.

MEANING OF SPECIAL LANGUAGE

The following terms are used throughout the product literature to indicate various levels of potential harm when operating this product:

WARNING: Procedures, which if not properly followed, create the probability of property damage, collateral damage, and serious injury OR create a high probability of superficial injury.

CAUTION: Procedures, which if not properly followed, create the probability of physical property damage AND possibility of serious injury.

NOTICE: Procedures, which if not properly followed, create a possibility of physical property damage AND little or no possibility of injury.

WARNING: Read the ENTIRE instruction manual to become familiar with the features of the product before operating. Failure to operate the product correctly can result in damage to the product, personal property and cause serious injury.

This is a sophisticated hobby product. It must be operated with caution and common sense and requires some basic mechanical ability. Failure to operate this Product in a safe and responsible manner could result in injury or damage to the product or other property. This product is not intended for use by children without direct adult supervision. Do not attempt disassembly, use with incompatible components or augment product in any way without the approval of Horizon Hobby, LLC. This manual contains instructions for safety, operation and maintenance. It is essential to read and follow all the instructions and warnings in the manual, prior to assembly, setup or use, in order to operate correctly and avoid damage or serious injury.

Age Recommendation: Not for children under 14 years. This is not a toy.

NOTICE: This appliance is not intended for use by persons with reduced physical, sensory or mental capabilities, or lack of experience and knowledge, unless they have been given supervision or instruction concerning use of the appliance by a person responsible for their safety.

DANGER: To reduce the risk of fire or electric shock, carefully follow these instructions.

CHARGING WARNINGS

WARNING: Failure to exercise caution while using this product and comply with the following warnings could result in product malfunction, electrical issues, excessive heat, FIRE, and ultimately injury and property damage.

- NEVER LEAVE CHARGING BATTERIES UNATTENDED DURING USE.
- NEVER CHARGE BATTERIES OVERNIGHT.
- Never attempt to charge dead, damaged or wet battery packs.
- Never attempt to charge a battery pack containing different types of batteries.
- Never allow children under 14 years of age to charge battery packs.
- Never charge batteries in extremely hot or cold places or place in direct sunlight.
- Never charge a battery if the cable has been pinched or shorted.
- Never connect the charger if the power cable has been pinched or shorted.
- Never connect the charger to an automobile 12V battery while the vehicle is running.
- Never attempt to dismantle the charger or use a damaged charger.
- Never attach your charger to both an AC and a DC power source at the same time.
- Never connect the input jack (DC input) to AC power.
- Always use only rechargeable batteries designed for use with this type of charger in the correct programming mode.
- Always inspect the battery before charging.
- Always keep the battery away from any material that could be affected by heat.
- Always monitor the charging area and have a fire extinguisher available at all times.
- Always end the charging process if the battery becomes hot to the touch or starts to change form (swell) during the charge process.
- Always connect the charge cable to the charger first, then connect the battery to avoid short circuit between the charge leads. Reverse the sequence when disconnecting.
- Always connect the positive red leads (+) and negative black leads (-) correctly.
- Always disconnect the battery after charging, and let the charger cool between charges.
- Always charge in a well-ventilated area.
- Always terminate all processes and contact Horizon Hobby if the product malfunctions.
- Charge only rechargeable batteries. Charging non-rechargeable batteries may cause the batteries to burst, resulting in injury to persons and/or damage to property.
- The socket-outlet shall be installed near the equipment and shall be easily accessible.

WARNING: Never leave unattended, exceed maximum charge rate, charge with non-approved batteries or charge batteries in the wrong mode. Failure to comply may result in excessive heat, fire and serious injury.

CAUTION: Always ensure the battery you are charging meets the specifications of this charger and that the charger settings are correct. Not doing so can result in excessive heat and other related product malfunctions, which can lead to user injury or property damage. Please contact Horizon Hobby or an authorized retailer with compatibility questions.

Included Items	
AC Power Cord	
(2) Charge Adapter: Banana to EC3™ Device (DYN0072)	
(2) Bare charge leads	
(2) Balancing Adapter Board: XH (DYN5032)	

Optional Items	
Temperature Sensor (DYN5033)	
Dynamite™ LiPo Charge Bag: small (DYN1400), large (DYN1405)	
Charge Adapter: Banana to Deans (DYN0056)	
Charge Adapter: Banana to XT60 (DYN0143)	
DC Power Cord: Alligator to XT60 (DYN0108)	

Specifications	
Input Voltage	100–240V AC (50–60Hz); 11–18V DC
Charging Capability	1–6S Li-Po/Li-Ion/Li-Fe; 1–15C Ni-Cd/Ni-MH; 2–12V Pb
Battery Capacities	100–50000 mAh
Charge Current	0.1A–10A x 2 (in 0.1A Increments/100W max AC, 200W DC)
Discharge Current	0.10A–5.0A x 2 (in 0.1A Increments/10W max)
Balance Current	200mA max per cell
Operating Temperature	0°C to +40°C
Charging Mode	Ni-Cd/Ni-MH: Peak; Li-Po/Li-Ion/Li-Fe/Pb: CC/CV
Protection	Short-circuit, over-current, reverse polarity, low input voltage, over-temperature

GETTING STARTED

CAUTION: Before charging, always ensure you have chosen the correct battery chemistry type for the battery you are charging.

CAUTION: Never connect the AC and DC input cords to an active power source at the same time. This will void the warranty, cause product damage and possibly injure the user.

- When Using an External DC Power Source:**
1. Connect the DC power cord to the charger **DC Power Input Port**.
 2. Connect the AC power cord to the AC power source.
 3. When the charger is powered ON, a message will appear on the **LCD Screen**.

NOTICE: Always connect cable polarities correctly.

- NOTICE:** Always consult 12V battery collateral materials or Horizon Hobby before using with sources other than a standard AC wall outlet.
1. Connect the AC power cord to the charger **AC Power Input Port**.
 2. Connect the AC power cord to the AC power source.
 3. When the charger is powered ON, a message will appear on the **LCD Screen**.

CONNECTING BATTERIES TO THE CHARGER:

CAUTION: Always power ON the charger before connecting a battery, or damage to the charger and the battery can result.

1. Connect the charger to the power source.
2. Select charge port (A or B).
3. Select the charging settings.
4. Connect the banana plugs of the battery adapter cable to the Power Output of the selected charge port (A or B), making sure that the positive and negative connectors are not reversed.
5. Connect the battery connector to the battery adapter cable.
6. Start battery charging.

CAUTION: If at any time during the charge process the battery pack becomes hot or begins to puff, disconnect the battery immediately and discontinue the charge process as batteries can cause fire, collateral damage and injuries.

CAUTION: Using a charge rate that is not compatible with the battery capacity may result in damage or malfunction of the charger or battery.

CAUTION: The Lithium charge program menus are to be used ONLY for the charging and discharging of Lithium battery packs. Charging other battery types using the Lithium charge programs will damage the battery or the charger.

PROGRAMMING QUICK GUIDE

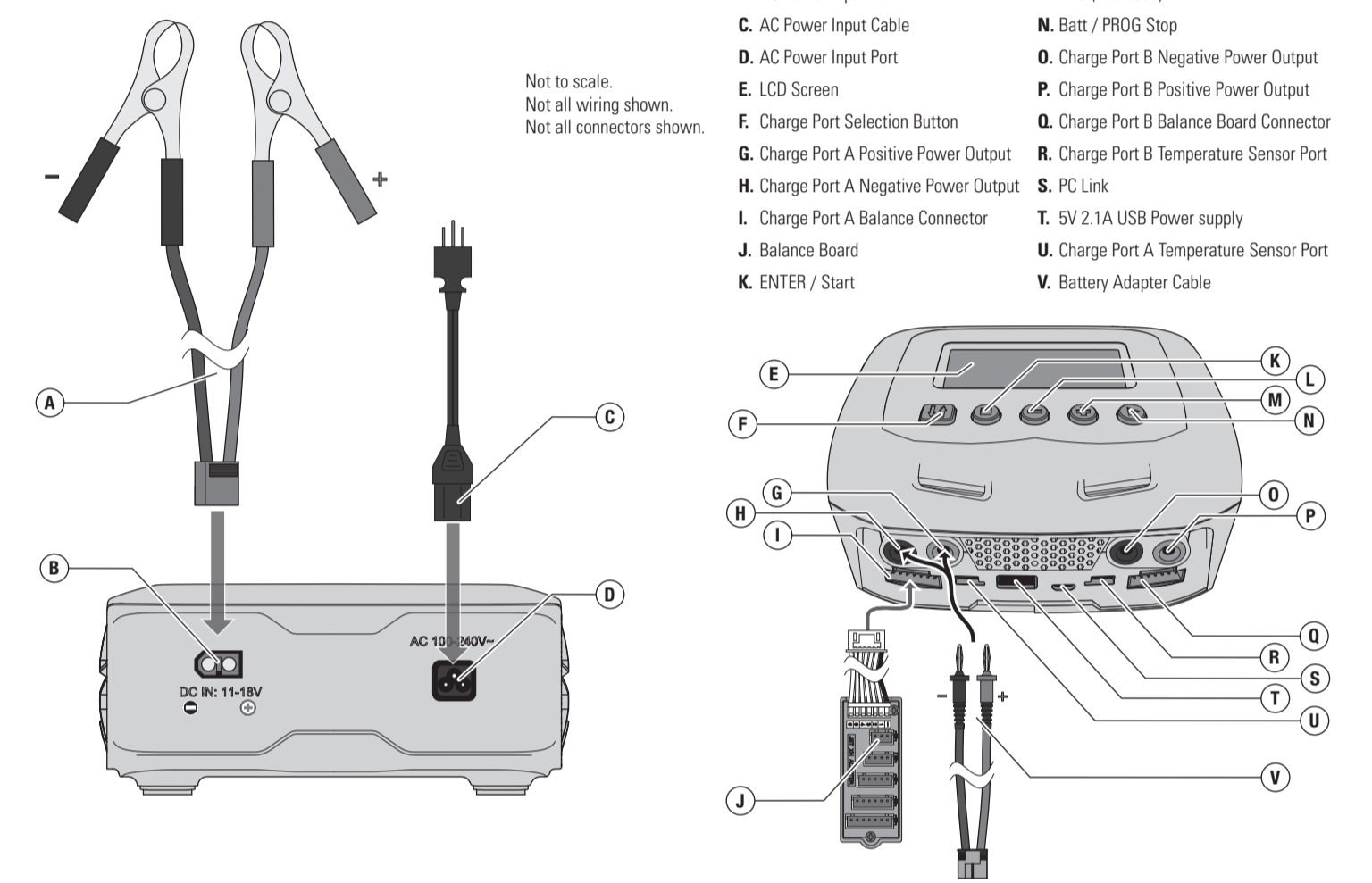
CHARGE PORT SELECTION

The Passport P2 charger has two charge ports. Press the **CH A - CH B** button to change between the charge ports. The selected charge port is highlighted with a black background.

LI-PO/LI-ION/LI-FE/LI-HV ARE SHOWN AS LI**
NICAD AND NIMH ARE SHOWN AS NI**
MENUS DIFFER ONLY IN CELL AND PACK VOLTAGE VALUES

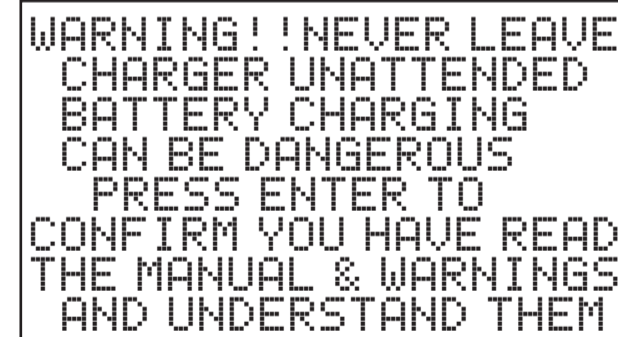
1. Press **ENTER / Start** button to confirm you have read the manual and access the charger functions.
2. Press the **Batt / PROG Stop** button to access the root menu. Press the **DEC** or **INC** button to scroll through the main menu screens.
3. Press **ENTER / Start** to make a selection.
4. Press the **DEC** or **INC** button to scroll through the program options.
5. Press **ENTER / Start** to select a program option.
6. Press the **DEC** or **INC** Button to change the parameter. Press the **ENTER / Start** Button again to move to the next parameter.
7. Once the parameters are at the desired settings, press and hold the **ENTER / Start** Button for 3 seconds.
8. Press the **Batt / PROG Stop** Button at any time to stop charging.

BATT/PROGRAM Li** BATT	Li** CHARGE	2.0A	14.8V (4S)
	Li** FAST CHG	2.0A	14.8V (4S)
	Li** STORAGE	2.0A	14.8V (4S)
	Li** DISCHARGE	1.0A	14.8V (4S)
BATT/PROGRAM Ni** BATT	Ni** CHARGE	CURRENT	2.0A
	Ni** Auto CHARGE	CURRENT	3.0A
	Ni** DISCHARGE	1.0A	CUT: 3.2V
	Ni** RE-PEAK		1
BATT/PROGRAM Pb BATT	Pb CHARGE	2.0A	12.0V (6P)
	Pb DISCHARGE	1.0A	12.0V (6P)
BATT/PROGRAM BATT METER	0.00 0.00 0.00 V		
	0.00		
BATT/PROGRAM BATTERY CHECK	MAIN: 0.00V		
	H:0.00 L:0.00V		
BATT/PROGRAM BATT RESISTANCE	0.00 0.00 0.00		
	0.00 0.00 0.00		



OPERATING YOUR CHARGER

POWER UP SCREEN
When the charger is powered ON, there is a series of self tests and the charger will require the user to verify they have read the manual by pressing the **ENTER / Start** button. The charger will not proceed with charge functions until this process is completed.



LI-PO/LI-ION/LI-FE/LI-HV ARE SHOWN AS LI**
MENUS DIFFER ONLY IN CELL AND PACK VOLTAGE VALUES.

LI (LI-PO/LI-FE/LI-ION) LITHIUM CHARGING**

1. Connect the banana plugs of the battery adapter cable to the charge port. Confirm the positive and negative connectors match, red to red (positive to positive) and black to black (negative to negative).
2. Connect the Balance Adapter Board to the Balance Port of the charge port.
3. Connect the battery connector to the battery adapter cable.
4. Connect the balance connector of the battery to the balance adapter.
5. Press the **Batt / PROG Stop** button to access the root menu. Press the **DEC** or **INC** button to scroll through the main menu screens until you reach Program Select-Li-Po/Li-Ion/Li-Fe.
6. Press **ENTER / Start**
7. Press the **DEC** or **INC** Button to scroll through the program options (Charge, Balance Charge, Storage, Discharge).
8. Press **ENTER / Start** to select a program option. The Parameter will begin flashing.
9. Press the **DEC** or **INC** Button to change the value of the parameter. Press the **ENTER / Start** Button again to move to the next parameter.
10. Once the parameters are at the desired settings, press and hold the **ENTER / Start** Button for 3 seconds. Press **ENTER / Start** again to confirm and start the charge process.
11. The charger will check the battery and charger settings and charging will begin. The charger will beep and display the following screen:
12. Press the **DEC** Button to see the rest of the Charging information.
13. Press the **INC** Button to see the voltages for each cell. Press **ENTER / Start** to return to the charging screen.
14. Press the **Batt / PROG Stop** Button at any time to stop charging.
15. When charging is complete, the charger will sound a series of beeps.
16. Disconnect the battery from the charger when the charge is complete.

LI (LI-PO/LI-FE/LI-ION) LITHIUM DISCHARGING**

1. Connect the banana plugs of the battery adapter cable to the charge port. Confirm the positive and negative connectors match, red to red (positive to positive) and black to black (negative to negative).
2. Connect the Balance Port to the Balance Circuit Adapter Board.
3. Connect the battery connector to the battery adapter cable.
4. Connect the balance connector of the battery to the Balance Adapter Board.
5. Press the **Batt / PROG Stop** button to access the root menu. Press the **DEC** or **INC** button to scroll through the main menu screens until you reach Program Select-Li-Po/Li-Ion/Li-Fe.
6. Press the **ENTER / Start** Button.
7. Press the **DEC** or **INC** Button until Li-Po/Li-Ion/Li-Fe DCHG appears.
8. Press the **ENTER / Start** Button to edit the parameter.
9. Once the parameters are at the desired settings, press and hold the **ENTER / Start** Button for 3 seconds.
10. The charger will check the battery and charger settings and discharging will begin.
11. Press the **DEC** or **INC** Button to see the rest of the Discharging information.
12. Press **Batt / PROG Stop** at any time to stop discharging.
13. When discharging is complete, the charger will sound a series of beeps.
14. Disconnect the battery from the charger when the discharge is complete.

LI (LI-PO/LI-FE/LI-ION) LITHIUM STORAGE CHARGING**

1. Connect the banana plugs of the battery adapter cable to the charge port. Confirm the positive and negative connectors match, red to red (positive to positive) and black to black (negative to negative).
2. Connect the Balance Adapter Board to the Balance Port of the charge port.
3. Connect the battery connector to the battery adapter cable.
4. Connect the balance connector of the battery to the balance adapter.
5. Press the **Batt / PROG Stop** button to access the root menu. Press the **DEC** or **INC** button to scroll through the main menu screens until you reach Program Select-Li-Po/Li-Ion/Li-Fe.
6. Press the **ENTER / Start** Button.
7. Press the **DEC** or **INC** Button until Li-Po/Li-Ion/Li-Fe STORAGE appears.
8. Press the **ENTER / Start** Button to edit the parameter. The Parameter will begin flashing.
9. Press the **DEC** or **INC** Button to change the value of the parameter. Press the **ENTER / Start** Button again to move to the next parameter.
10. Once the parameters are at the desired settings, press and hold the **ENTER / Start** Button for 3 seconds. Press **ENTER / Start** again to confirm and start the process.
11. The charger will check the battery and charger settings and storage charging will begin.
12. Press the **DEC** or **INC** Button to see the rest of the storage charging information.
13. Press **Batt / PROG Stop** at any time to stop charging.
14. When the storage process is complete, the charger will sound a series of beeps.
15. Disconnect the battery from the charger when the storage process is complete.

