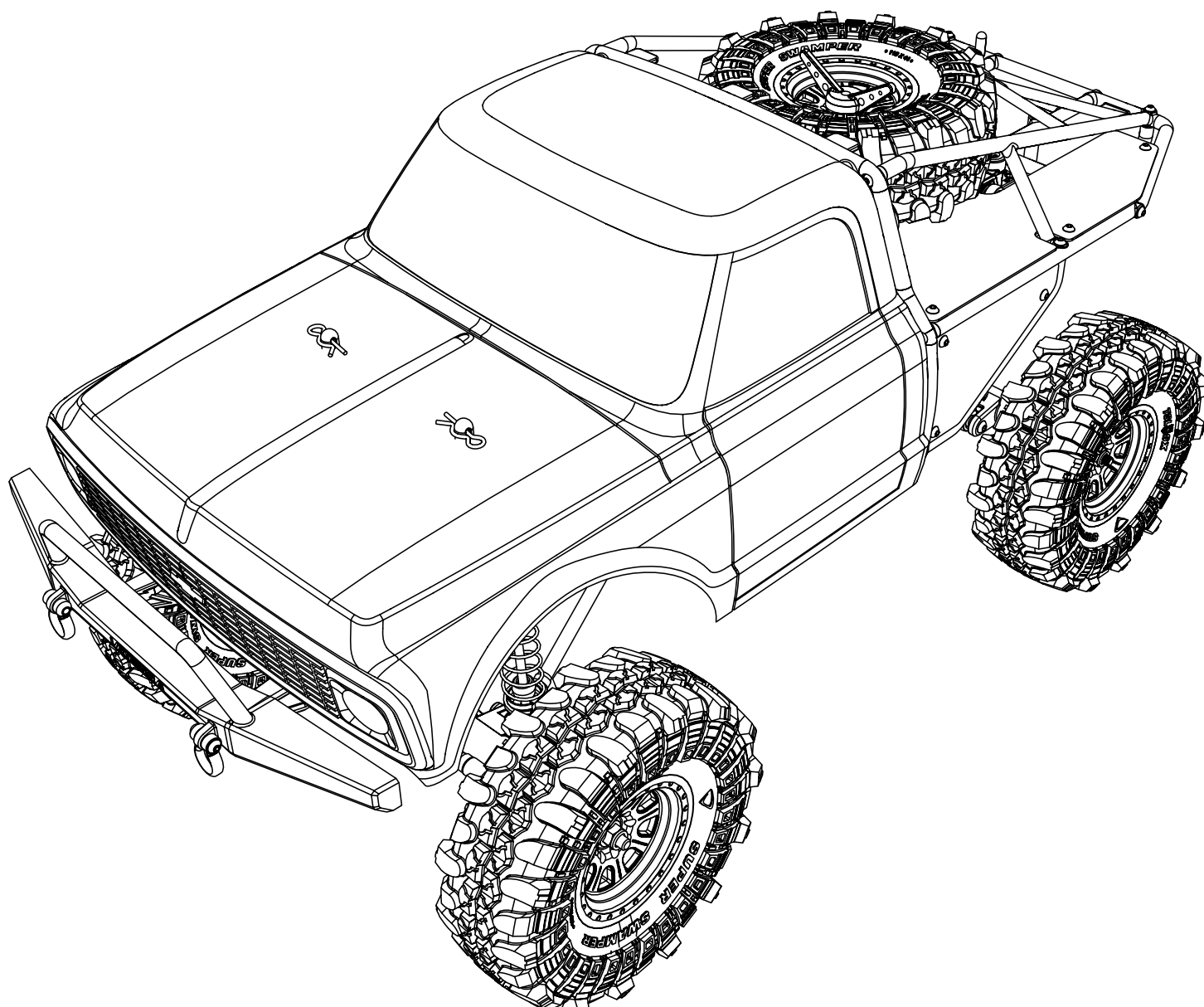


RTR
READY-TO-RUN

1972 CHEVROLET® K10 ASCENDER®



OWNER'S MANUAL

BEDIENUNGSANLEITUNG
MANUEL DE L'UTILISATEUR
MANUALE DELL'UTENTE



VATERRA®

Before operating this vehicle, please read all printed materials thoroughly.
Horizon Hobby is not responsible for inadvertent errors in this manual.

NOTICE

All instructions, warranties and other collateral documents are subject to change at the sole discretion of Horizon Hobby, LLC. For up-to-date product literature, visit horizonhobby.com and click on the support tab for this product.

MEANING OF SPECIAL LANGUAGE

The following terms are used throughout the product literature to indicate various levels of potential harm when operating this product:

NOTICE: Procedures, which if not properly followed, create a possibility of physical property damage AND a little or no possibility of injury.

CAUTION: Procedures, which if not properly followed, create the probability of physical property damage AND a possibility of serious injury.

WARNING: Procedures, which if not properly followed, create the probability of property damage, collateral damage, and serious injury OR create a high probability of superficial injury.

WARNING: Read the ENTIRE instruction manual to become familiar with the features of the product before operating. Failure to operate the product correctly can result in damage to the product, personal property and cause serious injury.

This is a sophisticated hobby product. It must be operated with caution and common sense and requires some basic mechanical ability. Failure to operate this Product in a safe and responsible manner could result in injury or damage to the product or other property. This product is not intended for use by children without direct adult supervision. Do not use with incompatible components or alter this product in any way outside of the instructions provided by Horizon Hobby, LLC. This manual contains instructions for safety, operation and maintenance. It is essential to read and follow all the instructions and warnings in the manual, prior to assembly, setup or use, in order to operate correctly and avoid damage or serious injury.

WARNING AGAINST COUNTERFEIT PRODUCTS Always purchase from a Horizon Hobby, LLC authorized dealer to ensure authentic high-quality Spektrum product. Horizon Hobby, LLC disclaims all support and warranty with regards, but not limited to, compatibility and performance of counterfeit products or products claiming compatibility with DSM or Spektrum technology.

Age Recommendation: Not for children under 14 years. This is not a toy.

SAFETY PRECAUTIONS AND WARNINGS

As the user of this product, you are solely responsible for operating in a manner that does not endanger yourself and others or result in damage to the product or property of others.

This model is controlled by a radio signal subject to interference from many sources outside your control. This interference can cause momentary loss of control, so it is advisable to always keep a safe distance in all directions around your model as this margin will help avoid collisions or injury.

- » Never operate your model with low transmitter batteries.
- » Always operate your model in open spaces away from full-size vehicles, traffic and people.
- » Never operate the model in the street or in populated areas for any reason.
- » Carefully follow the directions and warnings for this and any optional support equipment (chargers, rechargeable battery packs, etc.) you use.

- » Keep all chemicals, small parts and anything electrical out of the reach of children.
- » Never lick or place any portion of the model in your mouth as it could cause serious injury or even death.
- » Exercise caution when using tools and sharp instruments.
- » Take care during maintenance as some parts may have sharp edges.
- » Immediately after using your model, do NOT touch equipment such as the motor, electronic speed control and battery, because they generate high temperatures. You may burn yourself seriously touching them.
- » Do not put fingers or any objects inside rotating and moving parts, as this may cause damage or serious injury.
- » Always turn on your transmitter before you turn on the receiver in the car. Always turn off the receiver before turning your transmitter off.
- » Keep the wheels of the model off the ground when checking the operation of the radio equipment.

TABLE OF CONTENTS

CONTENTS2

WATER-RESISTANT VEHICLE WITH WATERPROOF ELECTRONICS.....3

QUICK START3

CHARGING THE BATTERY3

INSTALLING THE BATTERY4

SPEKTRUM DX2E RADIO SYSTEM4

 SPMSR310 RECEIVER4

 INSTALLING THE TRANSMITTER BATTERIES4

 CALIBRATING THE RECEIVER5

DRIVING PRECAUTIONS.....5

POWERING ON THE VEHICLE.....5

BEFORE RUNNING YOUR VEHICLE.....5

RUN TIME5

CHANGING THE TRAVEL ADJUST SETTINGS5

PERFORMING A CONTROL DIRECTION TEST6

DYNAMITE 60A BRUSHED WATERPROOF ESC6

DYNAMITE 540 BRUSHED MOTOR 35T7

TROUBLESHOOTING GUIDE.....7

LIMITED WARRANTY8

 FCC INFORMATION9

 ANTENNA SEPARATION DISTANCE.....9

 IC INFORMATION.....9

 WARRANTY AND SERVICE CONTACT INFORMATION.....9

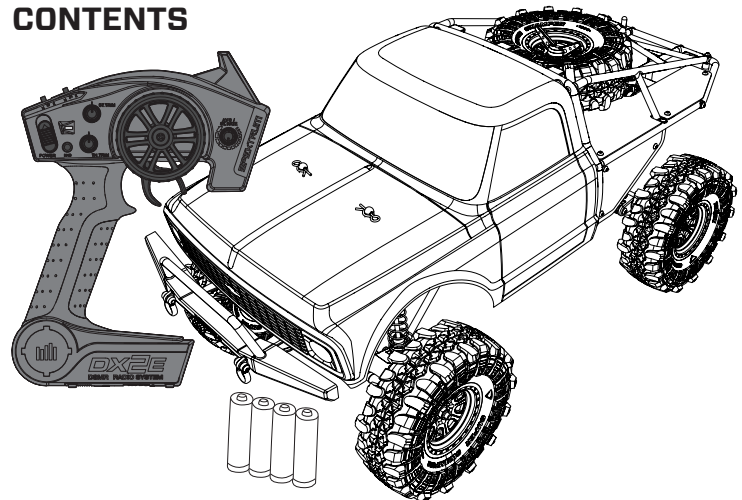
EU COMPLIANCE STATEMENT9

REPLACEMENT PARTS 31-32

OPTIONAL PARTS 32

EXPLODED VIEW 33-39

CONTENTS



REGISTER YOUR VATERRA PRODUCT ONLINE

Register your vehicle now and be the first to find out about the latest option parts, product updates and more. Click on the Support tab at WWW.VATERRA.COM and follow the product registration link to stay connected.

COMPONENTS

- » Vterra® 1972 Chevrolet® K10 Ascender® 4WD RTR (VTR03090)
- » Spektrum™ DX2E 2.4GHz Transmitter (SPM2330)
- » Spektrum™ 3-Channel DSMR® AVC® Surface Receiver (SPMSR310)
- » Spektrum™ 9KG 23T Waterproof Servo (SPMS605)
- » Dynamite® 60A Brushed Waterproof ESC (DYSN2210)
- » Dynamite® 540 Brushed Motor 35T (DYSN1216)
- » 4 AA batteries (for transmitter)

WATER-RESISTANT VEHICLE WITH WATERPROOF ELECTRONICS

Your new Horizon Hobby vehicle has been designed and built with a combination of waterproof and water-resistant components to allow you to operate the product in many “wet conditions,” including puddles, creeks, wet grass, snow and even rain.

While the entire vehicle is highly water-resistant, it is not completely waterproof and your vehicle should NOT be treated like a submarine. The various electronic components used in the vehicle, such as the Electronic Speed Control (ESC), servo(s) and receiver are waterproof, however, most of the mechanical components are water-resistant and should not be submerged.

Metal parts, including the bearings, hinge pins, screws and nuts, as well as the contacts in the electrical cables, will be susceptible to corrosion if additional maintenance is not performed after running in wet conditions. To maximize the long-term performance of your vehicle and to keep the warranty intact, the procedures described in the “Wet Conditions Maintenance” section below must be performed regularly if you choose to run in wet conditions. If you are not willing to perform the additional care and maintenance required, then you should not operate the vehicle in those conditions.

CAUTION: Failure to exercise caution while using this product and complying with the following precautions could result in product malfunction and/or void the warranty.

GENERAL PRECAUTIONS

- » Read through the wet conditions maintenance procedures and make sure that you have all the tools you will need to properly maintain your vehicle.
- » Not all batteries can be used in wet conditions. Consult the battery manufacturer before use. Caution should be taken when using Li-Po batteries in wet conditions.
- » Most transmitters are not water-resistant. Consult your transmitter’s manual or the manufacturer before operation.
- » Never operate your transmitter or vehicle where lightning may be present.
- » Do not operate your vehicle where it could come in contact with salt water (ocean water or water on salt-covered roads), contaminated or polluted water. Salt water is very conductive and highly corrosive, so use caution.
- » Even minimal water contact can reduce the life of your motor if it has not been certified as water-resistant or waterproof. If the motor

becomes excessively wet, apply very light throttle until the water is mostly removed from the motor. Running a wet motor at high speeds may rapidly damage the motor.

- » Driving in wet conditions can reduce the life of the motor. The additional resistance of operating in water causes excess strain. Alter the gear ratio by using a smaller pinion or larger spur gear. This will increase torque (and motor life) when running in mud, deeper puddles, or any wet conditions that will increase the load on the motor for an extended period of time.

WET CONDITIONS MAINTENANCE

- » Drain any water that has collected in the tires by spinning them at high speed. With the body removed, place the vehicle upside down and pull full throttle for a few short bursts until the water has been removed.

CAUTION: Always keep hands, fingers, tools and any loose or hanging objects away from rotating parts when performing the above drying technique.

- » Remove the battery pack(s) and dry the contacts. If you have an air compressor or a can of compressed air, blow out any water that may be inside the recessed connector housing.
- » Remove the tires/wheels from the vehicle and gently rinse the mud and dirt off with a garden hose. Avoid rinsing the bearings and transmission.

NOTICE: Never use a pressure washer to clean your vehicle.

- » Use an air compressor or a can of compressed air to dry the vehicle and help remove any water that may have gotten into small crevices or corners.
- » Spray the bearings, drive train, fasteners and other metal parts with a water-displacing light oil. Do not spray the motor.
- » Let the vehicle air dry before you store it. Water (and oil) may continue to drip for a few hours.
- » Increase the frequency of disassembly, inspection and lubrication of the following:
 - Front and rear axle hub assembly bearings.
 - All transmission cases, gears and differentials.
 - Motor—clean with an aerosol motor cleaner and re-oil the bushings with lightweight motor oil.

QUICK START

Please read the entire manual to gain a full understanding of the Chevy K10 Ascender, fine-tuning the setup and performing maintenance.

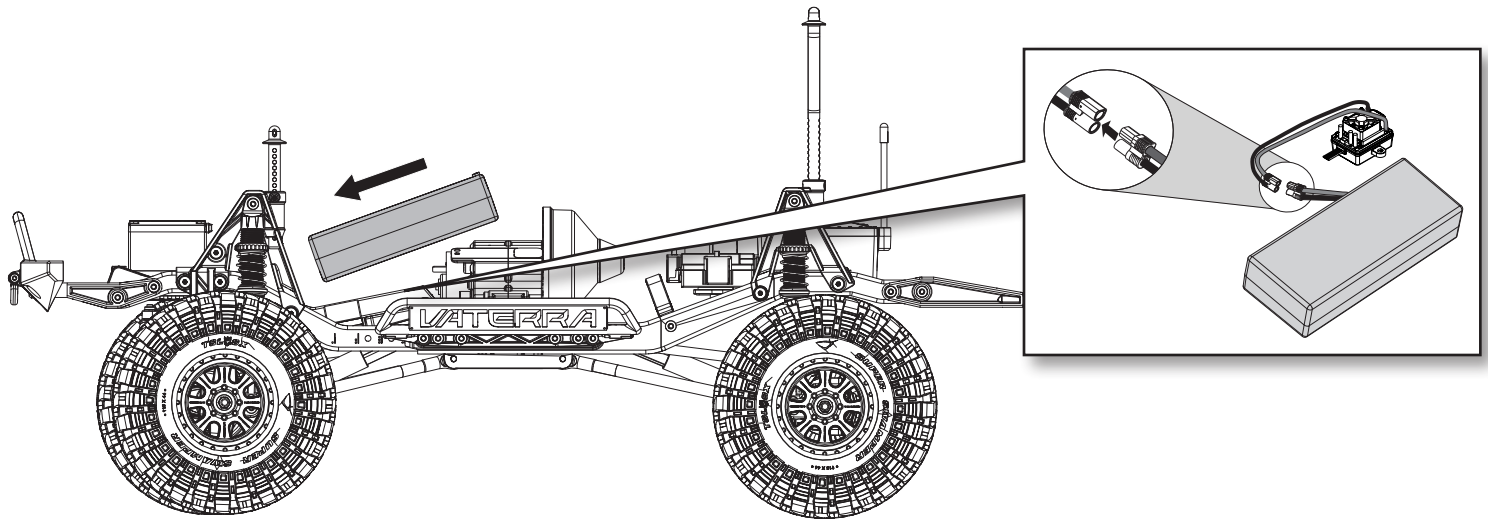
1. Read the safety precautions found in this manual.
2. Charge a battery for the vehicle. Refer to the included charging warnings and instructions for battery charging information.
3. Install the AA batteries in the transmitter. Only use alkaline or rechargeable batteries.
4. Install the fully charged battery in the vehicle.
5. Power ON the transmitter and then the vehicle. Wait 5 seconds for the ESC to initialize. Always power the transmitter ON before the vehicle and power it OFF after the vehicle has been powered OFF.
6. Check the steering and throttle control directions. Verify that the servos are moving in the correct direction.
7. Drive your vehicle.
8. Perform any necessary maintenance.

CHARGING THE BATTERY

Choose a battery designed to work with the Dynamite® 60A Brushed Waterproof ESC (DYNS2210). We recommend the Dynamite® Reaction® 7.4V 4000mAh 2S 50C LiPo: Hardcase with EC3™ connector (DYNB3800EC). Choose a charger designed to charge 2S Li-Po batteries.

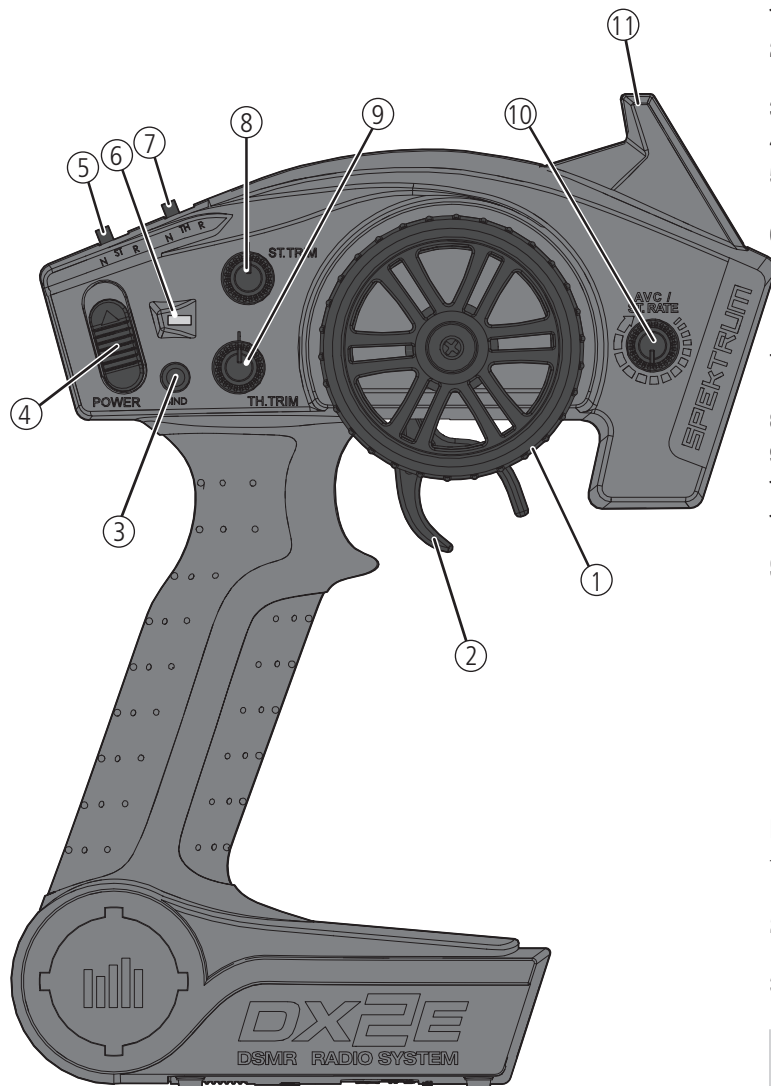
We recommend the Dynamite® Prophet™ Sport Li-Po 35W AC Battery Charger (DYNC2005CA). Refer to your battery and charger manuals for usage, safety, and charging information.

INSTALLING THE BATTERY



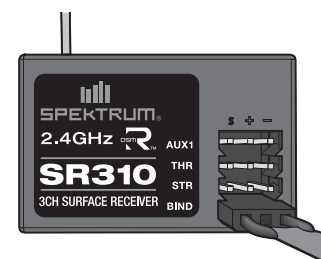
1. Ensure the ESC is powered OFF.
2. Loosen the hook and loop battery strap found on the battery tray and install the fully charged battery in to the vehicle.
3. Secure the battery to the battery tray using the hook and look battery strap.
4. Connect the battery to the ESC.
5. Power on the Transmitter and wait 5 seconds.
6. Power on the ESC.

SPEKTRUM DX2E RADIO SYSTEM



1. **Steering Wheel** Controls direction (left/right) of the model
2. **Throttle Trigger** Controls speed and direction (forward/brake/reverse) of the model
3. **BIND Button** Puts the transmitter into Bind Mode
4. **ON/OFF Switch** Turns the power ON/OFF for the transmitter
5. **ST. REV** Reverses the function of the steering when the wheel is turned left or right
6. **Indicator Lights**
 - **Solid green light**—indicates adequate battery power
 - **Flashing green light**—indicates the battery voltage is critically low. Replace batteries
7. **TH. REV** Reverses the function of the speed control when pulled back or pushed forward
8. **ST Trim** Adjusts the steering center point
9. **TH Trim** Adjusts the throttle neutral point
10. **ST Rate** Adjusts the sensitivity of AVC
11. **Antenna** Transmits the signal to the model

SPMSR310 RECEIVER



INSTALLING THE TRANSMITTER BATTERIES

1. Push in the battery cover a small amount to release the retaining tab, then remove the cover.
2. Install 4 AA batteries, taking care to align the battery polarity to the diagram in the transmitter's battery case.
3. Carefully reinstall the battery cover by aligning the tabs with the slots on the transmitter.

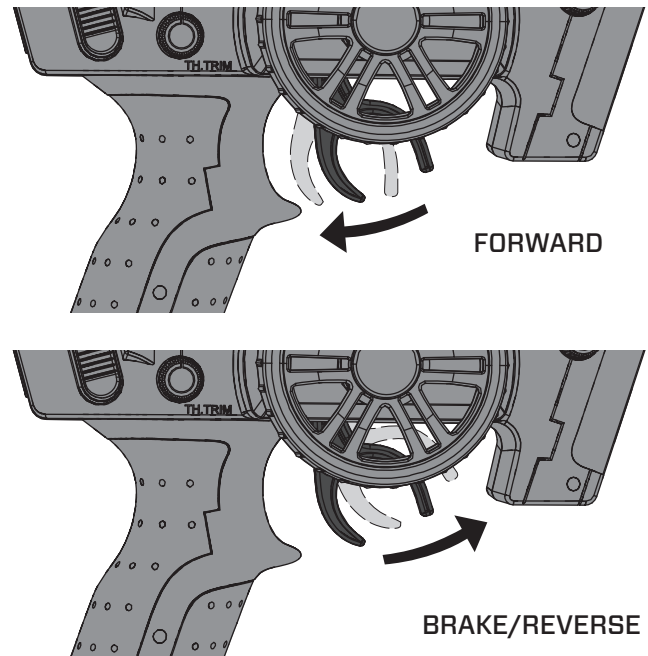
CAUTION: If using rechargeable batteries, charge only rechargeable batteries. Charging non-rechargeable batteries may cause the batteries to burst, resulting in injury to persons and/or damage to property.

CAUTION: Risk of explosion if battery is replaced by an incorrect type. Dispose of used batteries according to national regulations.

For more information on the transmitter, go to www.horizonhobby.com and click on the support tab for the Spektrum DX2E to download the instruction manual.

CALIBRATING THE RECEIVER

1. With the vehicle on a flat, level surface, insert the Bind Plug in the BIND port on the receiver.
2. Connect a fully charged battery pack to the ESC.
3. Power on the ESC. The orange LED flashes, indicating the receiver is in bind mode.
4. Center the ST TRIM and TH TRIM dials on the transmitter.
5. Press and hold the BIND button while powering on the transmitter.
6. Release the BIND button when the orange LED slowly flashes. The transmitter and receiver are linked when the orange LED is solid.
7. Pull the transmitter trigger to Full Throttle.
8. Push the transmitter trigger to Full Brake, then return the trigger to center.
9. Turn the transmitter steering wheel to Full Right.
10. Turn the transmitter steering wheel to Full Left, then return the steering wheel to center. The orange LED flashes once.
11. Remove the Bind Plug, then power off the receiver to save the settings.
12. Power off the transmitter.



DRIVING PRECAUTIONS

- » Maintain sight of the vehicle at all times.
- » Routinely inspect the vehicle for loose wheel hardware.
- » Routinely inspect the steering assembly for any loose hardware. Driving the vehicle off-road can cause fasteners to loosen over time.
- » Do not drive the vehicle in tall grass. Doing so can damage the vehicle or electronics.
- » Stop driving the vehicle when you notice a lack of power. Driving the vehicle when the battery is discharged can cause the receiver to power off. If the receiver loses power, you will lose control of the vehicle. Damage due to an over-discharged Li-Po battery is not covered under warranty.

CAUTION: Do not discharge a Li-Po battery below 3V per cell. Batteries discharged to a voltage lower than the lowest approved voltage may become damaged, resulting in loss of performance and potential fire when batteries are charged.

- » Do not apply forward or reverse throttle if the vehicle is stuck. Applying throttle in this instance can damage the motor or ESC.
- » After driving the vehicle, allow the electronics to cool before driving the vehicle again.

IMPORTANT: Keep wires away from all moving parts.

POWERING ON THE VEHICLE

1. Center the ST TRIM and TH TRIM dials on the transmitter.
2. Power on the transmitter.
3. Remove the body from the vehicle.
4. Connect a fully charged battery pack to the ESC.
5. Power on the ESC.

IMPORTANT: The vehicle MUST remain on a flat, level surface and motionless for at least 5 seconds.

6. Re-install the body on the vehicle.

BEFORE RUNNING YOUR VEHICLE

1. Check for free suspension movement. All suspension arms and steering components should move freely. Any binds will cause the vehicle to handle poorly.
2. Charge a battery pack. Always charge the battery pack as per the battery and/or charger manufacturers' instructions.
3. Set the transmitter steering trim. Follow the instructions to set the steering trim/subtrim so that the vehicle drives straight with no input to the steering.
4. Perform a Control Direction Test.

RUN TIME

The largest factor in run time is the capacity of the battery pack. A larger mAh rating increases the amount of run time experienced.

The condition of a battery pack is also an important factor in both run time and speed. The battery connectors may become hot during driving. Batteries will lose performance and capacity over time.

Driving the vehicle from a stop to full speed repeatedly will damage the batteries and electronics over time. Sudden acceleration will also lead to shorter run times.

TO IMPROVE RUN TIMES

- » Keep your vehicle clean and well maintained.
- » Allow more airflow to the ESC and motor.
- » Change the gearing to a lower ratio. A lower ratio decreases the operating temperature of the electronics. Use a smaller pinion gear or larger spur gear to lower the gear ratio.
- » Use a battery pack with a higher mAh rating.
- » Use the optimum charger to charge battery packs (Visit your local hobby dealer for more information).

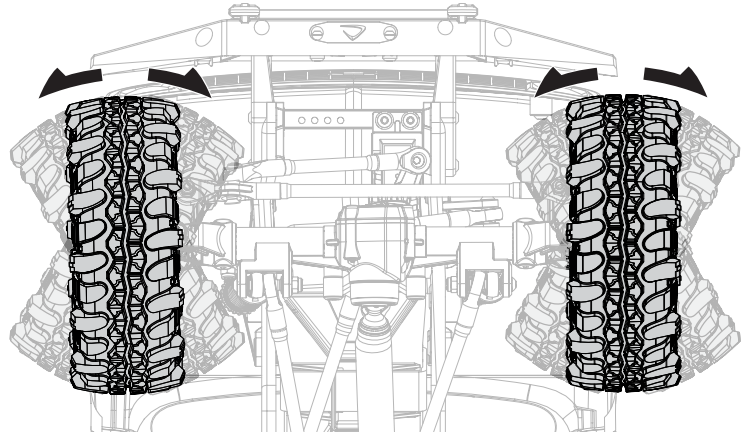
CHANGING THE TRAVEL ADJUST SETTINGS

1. Hold the trigger in the full brake position and turn the steering wheel to Full Right while powering on the transmitter. The LED flashes rapidly, indicating the programming mode is active.
2. Throttle End Point: Continue holding full throttle. Turn the TH TRIM knob to adjust the full throttle end point.
3. Brake End Point: Hold the trigger in the full brake position. Turn the TH TRIM knob to adjust the full brake end point. Return the trigger to the center position.
4. Left Steering End Point: Hold the steering wheel in the full left position. Turn the ST TRIM knob to adjust the left end point.
5. Right Steering End Point: Hold the steering wheel in the full right position. Turn the ST TRIM knob to adjust the right end point. Return the steering wheel to the center position.
6. Power off the transmitter to save the travel adjust settings. The minimum Travel is 75%, and the Maximum travel is 150%.

IMPORTANT: If the travel is changed on the DX2E, you must rebind and calibrate the receiver.

PERFORMING A CONTROL DIRECTION TEST

Perform a control test with the vehicle wheels off the ground. If the wheels rotate after the vehicle is powered ON, adjust the TH Trim knob until they stop. To make the wheels move forward, pull the trigger. To reverse them, wait for the wheels to stop, then push the trigger. When moving forward, the wheels should maintain a straight line without any steering wheel input. If not, adjust the ST Trim knob, so the wheels maintain a straight line without having to turn the steering wheel.



DYNAMITE® 60A BRUSHED WATERPROOF ESC (DYS2210) //////////////////////////////////////

SPECIFICATIONS

Type	Brushed
Constant/Peak	60A/360A
Resistance	0.0008 Ohms
Function	Forward/Brake/Reverse, Forward/Brake, Forward/Reverse (Crawler Mode)
Operation	Proportional forward, proportional reverse with braking delay, Crawler Mode
Battery Type/Input Voltage	2 cell Li-Po/Li-Fe; 6-7 cell Ni-MH/Ni-Cd
Motor Type	540-/550-size closed endbell motors: 2S Li-Po down to 8T
BEC Output	5V/2A
Overload Protection	Thermal
Dimensions	35.6mm x 34mm x 18mm (1.40 in x 1.34 in x 0.71 in)
Weight	40 g (1.41 oz) with wires
Battery Connector	EC3™ connector
Motor Connector	3.5mm Tamiya-style bullet

CONNECTING THE ESC

1. Connect the RED (+) ESC wire to the RED (+) motor wire.
2. Connect the BLACK (-) ESC wire to the BLACK (-) motor wire.

NOTICE: Always disconnect the battery from the ESC when you have finished operating your vehicle. The ESC's switch only controls power to the receiver and servos. The ESC will continue to draw current when connected to the battery, resulting in possible damage to the battery through over discharge.

PROGRAMMING

The ESC comes with two jumpers pre-installed in the MODE: F/B (forward/brake) and BATT: Li-Po configurations.

To change the mode to F/B/R (forward/brake/reverse) or F/R (forward/reverse) or change the battery type to Ni-MH

1. Power OFF the ESC.
2. Disconnect the jumper from the default port and connect it to the desired port.
3. Power ON the ESC.

If the jumpers are lost or not installed, the ESC will default to MODE: F/B/R and BATT: Li-Po.

WARNING: Do not connect bind plugs or receiver servo leads into the ESC programming port. Doing so may damage the ESC and/or components.

ESC LED STATUS

- » No ESC LEDs will glow when there is no throttle input from the transmitter.
- » The red ESC LED glows when there is any throttle input from the transmitter.

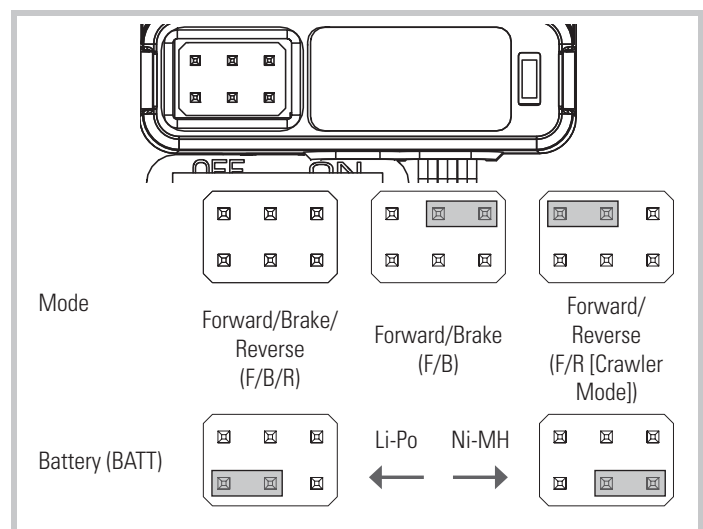
AUDIBLE WARNING TONES

- 1. Input Voltage:** The ESC checks the input voltage when it is powered ON. If a voltage problem is detected, the ESC continuously sounds 2 beeps with a 1 second pause (xx-xx-xx). Power OFF the ESC and ensure the connections are secure and that the battery power is not too low for safe operation.
- 2. Radio Connection:** The ESC checks radio signal input when it is powered ON. If a problem is detected, the ESC continuously sounds 1 beep with a 2 second pause (x--x--x). Power OFF the ESC and ensure the radio system is operating correctly.

ESC CALIBRATION PROCEDURE

Ensure proper ESC function by calibrating the ESC to your transmitter inputs.

1. Power OFF the ESC.
2. Ensure your transmitter is powered ON, the throttle is not reversed, the throttle trim is neutral and the throttle travel range is at 100%. Disable any special functions such as ABS, etc.
3. Keep the throttle at neutral and power ON the ESC.
4. The ESC automatically calibrates the throttle range after 3 seconds.
5. One long beep will sound when the ESC is ready to run.



DYNAMITE® 540 BRUSHED MOTOR 35T (DYNS1216) //////////////////////////////////////

PRECAUTIONS

- » Never touch moving parts.
- » Never disassemble while the batteries are installed.
- » Always let parts cool before touching.

GEARING

Your vehicle has been equipped with the optimal gearing for the stock platform. It offers an ideal balance between speed, power and efficiency. Should you decide to customize your vehicle with optional batteries or motors, it may be necessary for you to change the pinion or spur gear.

Installing a pinion gear with fewer teeth or a spur gear with more teeth will provide greater torque but will reduce top speed. Likewise, a pinion gear with more teeth or a spur gear with fewer teeth will reduce torque and increase top speed. Care should be taken when installing larger pinion gears as this can “overgear” the vehicle, resulting in overheating of the motor and ESC. When testing different gearing options, pay close attention to the temperature of the motor and speed control to ensure you are operating within the temperature range of the components. The motor or ESC should never be so hot that it cannot be touched. If temperatures are too hot, a different gearing combination with a lower pinion gear and/or higher spur gear is suggested.

CHANGING THE PINION GEAR/GEAR RATIO

The following instructions are for replacing a worn pinion gear. If you are changing the pinion gear size please refer to “Setting the Gear Mesh.”

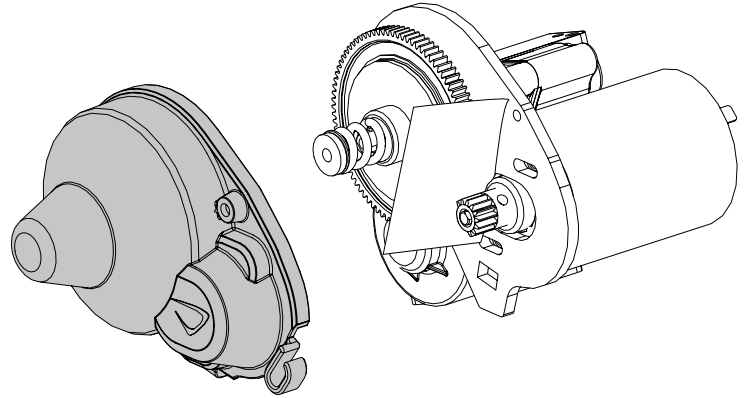
1. Remove the spur gear cover.
2. Loosen the pinion gear set screw to remove the installed pinion gear.
3. Loosen the motor screws and slide the motor back.
4. Place the new pinion on the end of the motor shaft so the set screw is located over the flat area on the shaft.

Position the teeth on the pinion gear so they line up with the spur gear and secure the pinion gear onto the motor shaft by tightening the set screw.

SETTING THE GEAR MESH

The gear mesh has already been set at the factory. Setting it is only necessary when changing motors or gears.

Proper gear mesh (how gear teeth meet) is important to the performance of the vehicle. When the gear mesh is too loose, the spur gear could be damaged by the pinion gear on the motor. If the mesh is too tight, speed could be limited and the motor and ESC will overheat.



1. Remove the spur gear cover.
2. Loosen the motor screws and slide the motor back.
3. Put a small piece of paper between the pinion and spur gears.
4. Push the gears together with moderate pressure and hold in place while tightening the motor screws.
5. Remove the paper. Check the mesh at 3-5 different locations around the spur gear for minimal movement.

NOTICE: If you use the 16T pinion gear with a 3S Li-Po battery, damage to the vehicle, ESC, and/or motor will occur.

TROUBLESHOOTING GUIDE //////////////////////////////////////

PROBLEM	POSSIBLE CAUSE	SOLUTION
Vehicle does not operate	Battery not charged or plugged in	Charge battery/plug in
	ESC switch not “ON”	Turn on ESC switch
	Transmitter not “ON” or low battery	Turn on/replace batteries
Motor runs but wheels do not rotate	Pinion not meshing with spur gear	Adjust pinion/spur mesh
	Pinion spinning on motor shaft	Tighten pinion gear setscrew on motor shaft flat spot
	Transmission gears stripped	Replace transmission gears
	Drive pin broken	Check and replace drive pin
Steering does not work	Servo plug not in receiver properly	Make sure the steering servo plug is connected to the receiver steering channel, noting proper polarity
	Servo gears or motor damaged	Replace or repair servo
Will not turn one direction	Servo gears damaged	Replace or repair servo
Motor does not run	Motor wire solder joint is damaged	Resolder the motor wire with the proper equipment
	Motor wire broken	Repair or replace as needed
	ESC damaged	Contact Horizon Hobby Product Support
ESC gets hot	Motor over-gear	Use smaller pinion or larger spur gear
	Driveline bound up	Check wheels and transmission for binding
Poor run time and/or sluggish acceleration	Battery pack not fully charged	Recharge battery
	Charger not allowing full charge	Try another charger
	Driveline bound up	Check wheels, transmission for binding
Poor range and/or glitching	Transmitter batteries low	Check and replace
	Vehicle battery low	Recharge battery
	Loose plugs or wires	Check all wire connections and plugs

LIMITED WARRANTY //////////////////////////////////////

What this Warranty Covers

Horizon Hobby, LLC, (Horizon) warrants to the original purchaser that the product purchased (the "Product") will be free from defects in materials and workmanship at the date of purchase.

What is Not Covered

This warranty is not transferable and does not cover (i) cosmetic damage, (ii) damage due to acts of God, accident, misuse, abuse, negligence, commercial use, or due to improper use, installation, operation or maintenance, (iii) modification of or to any part of the Product, (iv) attempted service by anyone other than a Horizon Hobby authorized service center, (v) Product not purchased from an authorized Horizon dealer, or (vi) Product not compliant with applicable technical regulations or (vii) use that violates any applicable laws, rules, or regulations.

OTHER THAN THE EXPRESS WARRANTY ABOVE, HORIZON MAKES NO OTHER WARRANTY OR REPRESENTATION, AND HEREBY DISCLAIMS ANY AND ALL IMPLIED WARRANTIES, INCLUDING, WITHOUT LIMITATION, THE IMPLIED WARRANTIES OF NON-INFRINGEMENT, MERCHANTABILITY AND FITNESS FOR A PARTICULAR PURPOSE. THE PURCHASER ACKNOWLEDGES THAT THEY ALONE HAVE DETERMINED THAT THE PRODUCT WILL SUITABLY MEET THE REQUIREMENTS OF THE PURCHASER'S INTENDED USE.

Purchaser's Remedy

Horizon's sole obligation and purchaser's sole and exclusive remedy shall be that Horizon will, at its option, either (i) service, or (ii) replace, any Product determined by Horizon to be defective. Horizon reserves the right to inspect any and all Product(s) involved in a warranty claim. Service or replacement decisions are at the sole discretion of Horizon. Proof of purchase is required for all warranty claims. SERVICE OR REPLACEMENT AS PROVIDED UNDER THIS WARRANTY IS THE PURCHASER'S SOLE AND EXCLUSIVE REMEDY.

Limitation of Liability

HORIZON SHALL NOT BE LIABLE FOR SPECIAL, INDIRECT, INCIDENTAL OR CONSEQUENTIAL DAMAGES, LOSS OF PROFITS OR PRODUCTION OR COMMERCIAL LOSS IN ANY WAY, REGARDLESS OF WHETHER SUCH CLAIM IS BASED IN CONTRACT, WARRANTY, TORT, NEGLIGENCE, STRICT LIABILITY OR ANY OTHER THEORY OF LIABILITY, EVEN IF HORIZON HAS BEEN ADVISED OF THE POSSIBILITY OF SUCH DAMAGES. Further, in no event shall the liability of Horizon exceed the individual price of the Product on which liability is asserted. As Horizon has no control over use, setup, final assembly, modification or misuse, no liability shall be assumed nor accepted for any resulting damage or injury. By the act of use, setup or assembly, the user accepts all resulting liability. If you as the purchaser or user are not prepared to accept the liability associated with the use of the Product, purchaser is advised to return the Product immediately in new and unused condition to the place of purchase.

Law

These terms are governed by Illinois law (without regard to conflict of law principals). This warranty gives you specific legal rights, and you may also have other rights which vary from state to state. Horizon reserves the right to change or modify this warranty at any time without notice.

WARRANTY SERVICES

Questions, Assistance, and Services

Your local hobby store and/or place of purchase cannot provide warranty support or service. Once assembly, setup or use of the Product has been started, you must contact your local distributor or Horizon directly. This will enable Horizon to better answer your questions and service you in the event

that you may need any assistance. For questions or assistance, please visit our website at www.horizonhobby.com, submit a Product Support Inquiry, or call the toll free telephone number referenced in the Warranty and Service Contact Information section to speak with a Product Support representative.

Inspection or Services

If this Product needs to be inspected or serviced and is compliant in the country you live and use the Product in, please use the Horizon Online Service Request submission process found on our website or call Horizon to obtain a Return Merchandise Authorization (RMA) number. Pack the Product securely using a shipping carton. Please note that original boxes may be included, but are not designed to withstand the rigors of shipping without additional protection. Ship via a carrier that provides tracking and insurance for lost or damaged parcels, as Horizon is not responsible for merchandise until it arrives and is accepted at our facility. An Online Service Request is available at http://www.horizonhobby.com/content/service-center_render-service-center. If you do not have internet access, please contact Horizon Product Support to obtain a RMA number along with instructions for submitting your product for service. When calling Horizon, you will be asked to provide your complete name, street address, email address and phone number where you can be reached during business hours. When sending product into Horizon, please include your RMA number, a list of the included items, and a brief summary of the problem. A copy of your original sales receipt must be included for warranty consideration. Be sure your name, address, and RMA number are clearly written on the outside of the shipping carton.

NOTICE: Do not ship Li-Po batteries to Horizon. If you have any issue with a Li-Po battery, please contact the appropriate Horizon Product Support office.

Warranty Requirements

For Warranty consideration, you must include your original sales receipt verifying the proof-of-purchase date. Provided warranty conditions have been met, your Product will be serviced or replaced free of charge. Service or replacement decisions are at the sole discretion of Horizon.

Non-Warranty Service

Should your service not be covered by warranty, service will be completed and payment will be required without notification or estimate of the expense unless the expense exceeds 50% of the retail purchase cost. By submitting the item for service you are agreeing to payment of the service without notification. Service estimates are available upon request. You must include this request with your item submitted for service. Non-warranty service estimates will be billed a minimum of 1/2 hour of labor. In addition you will be billed for return freight. Horizon accepts money orders and cashier's checks, as well as Visa, MasterCard, American Express, and Discover cards. By submitting any item to Horizon for service, you are agreeing to Horizon's Terms and Conditions found on our website http://www.horizonhobby.com/content/service-center_render-service-center.

ATTENTION: Horizon service is limited to Product compliant in the country of use and ownership. If received, a non-compliant Product will not be serviced. Further, the sender will be responsible for arranging return shipment of the un-serviced Product, through a carrier of the sender's choice and at the sender's expense. Horizon will hold non-compliant Product for a period of 60 days from notification, after which it will be discarded.

Warranty and Service Contact Information

Country of Purchase	Horizon Hobby	Contact Information	Address
United States of America	Horizon Service Center (Repairs and Repair Requests)	servicecenter.horizonhobby.com/RequestForm/	4105 Filedstone Rd. Champaign, Illinois 61822 USA
	Horizon Product Support (Product Technical Assistance)	productsupport@horizonhobby.com 877-504-0233	
	Sales	websales@horizonhobby.com 800-338-4639	
United Kingdom	Service/Parts/Sales: Horizon Hobby Limited	sales@horizonhobby.co.uk +44 (0) 1279 641 097	Units 1-4 Ployters Rd Staple Tye Harlow, Essex CM18 7NS, United Kingdom
Germany	Horizon Technischer Service	service@horizonhobby.de +49 (0) 4121 2655 100	Christian-Junge-Straße 1 25337 Elmshorn, Germany
	Sales: Horizon Hobby GmbH		
France	Service/Parts/Sales: Horizon Hobby SAS	infofrance@horizonhobby.com +33 (0) 1 60 18 34 90	11 Rue Georges Charpak 77127 Lieusaint, France

FCC Statement

This device complies with part 15 of the FCC rules. Operation is subject to the following two conditions: (1) This device may not cause harmful interference, and (2) this device must accept any interference received, including interference that may cause undesired operation.



CAUTION: Changes or modifications not expressly approved by the party responsible for compliance could void the user's authority to operate the equipment.

This product contains a radio transmitter with wireless technology which has been tested and found to be compliant with the applicable regulations governing a radio transmitter in the 2.400GHz to 2.4835GHz frequency range.

Antenna Separation Distance

When operating your transmitter, please be sure to maintain a separation distance of at least 5 cm between your body (excluding fingers, hands, wrists, ankles and feet) and the antenna to meet RF exposure safety requirements as determined by FCC regulations.

IC Information

This device complies with Industry Canada licence-exempt RSS standard(s). Operation is subject to the following two conditions: (1) this device may not cause interference, and (2) this device must accept any

interference, including interference that may cause undesired operation of the device.

CE EU Compliance Statement: Horizon Hobby, LLC hereby declares that this product is in compliance with the essential requirements and other relevant provisions of the R&TTE, EMC and LVD Directives.

A copy of the EU Declaration of Conformity is available online at: <http://www.horizonhobby.com/content/support-render-compliance>.



Instructions for disposal of WEEE by users in the European Union

This product must not be disposed of with other waste. Instead, it is the user's responsibility to dispose of their waste equipment by handing it over to a designated collections point for the recycling of waste electrical and electronic equipment. The separate collection and recycling of your waste equipment at the time of disposal will help to conserve natural resources and ensure that it is recycled in a manner that protects human health and the environment. For more information about where you can drop off your waste equipment for recycling, please contact your local city office, your household waste disposal service or where you purchased the product.



HINWIS

Alle Anweisungen, Garantien und dazugehörigen Dokumente können ohne Ankündigung von Horizon Hobby LLC geändert werden. Eine aktuelle Version ersehen Sie bitte im Support Feld unter: <http://www.horizonhobby.com>.

ERKLÄRUNG DER BEGRIFFE

Die folgenden Begriffe werden in der gesamten Produktliteratur verwendet, um auf unterschiedlich hohe Gefahrenrisiken beim Betrieb dieses Produkts hinzuweisen:

HINWEIS: Wenn diese Verfahren nicht korrekt befolgt werden, können sich möglicherweise Sachschäden UND geringe oder keine Gefahr von Verletzungen ergeben.

ACHTUNG: Wenn diese Verfahren nicht korrekt befolgt werden, ergeben sich wahrscheinlich Sachschäden UND die Gefahr von schweren Verletzungen.

WARNUNG: Wenn diese Verfahren nicht korrekt befolgt werden, ergeben sich wahrscheinlich Sachschäden, Kollateralschäden und schwere Verletzungen ODER mit hoher Wahrscheinlichkeit oberflächliche Verletzungen.

⚠️ WARNUNG: Lesen Sie die GESAMTE Bedienungsanleitung, um sich vor dem Betrieb mit den Produktfunktionen vertraut zu machen. Wird das Produkt nicht korrekt betrieben, kann dies zu Schäden am Produkt oder persönlichem Eigentum führen oder schwere Verletzungen verursachen.

Dies ist ein hochentwickeltes Hobby-Produkt. Es muss mit Vorsicht und gesundem Menschenverstand betrieben werden und benötigt gewisse mechanische Grundfähigkeiten. Wird dieses Produkt nicht auf eine sichere und verantwortungsvolle Weise betrieben, kann dies zu Verletzungen oder Schäden am Produkt oder anderen Sachwerten führen. Versuchen Sie nicht ohne Genehmigung durch Horizon Hobby, LLC, das Produkt zu zerlegen, es mit inkompatiblen Komponenten zu verwenden oder auf jegliche Weise zu erweitern. Diese Bedienungsanleitung enthält Anweisungen für Sicherheit, Betrieb und Wartung. Es ist unbedingt notwendig, vor Zusammenbau, Einrichtung oder Verwendung alle Anweisungen und Warnhinweise im Handbuch zu lesen und zu befolgen, damit es bestimmungsgemäß betrieben werden kann und Schäden oder schwere Verletzungen vermieden werden.

⚠️ WARNUNG ZU GEFÄLSCHTEN PRODUKTEN Bitte kaufen Sie Ihre Spektrum Produkte immer von einem autorisiertem Händler um sicherzustellen, dass Sie ein authentisches hochqualitatives original Spektrum Produkt gekauft haben. Horizon Hobby lehnt jede Unterstützung, Service oder Garantieleistung von gefälschten Produkten oder Produkten ab die von sich in Anspruch nehmen kompatibel mit Spektrum Technologie oder DSM zu sein.

Nicht geeignet für Kinder unter 14 Jahren. Dies ist kein Spielzeug.

SICHERHEITSHINWEISE UND WARNUNGEN //////////////////////////////////////

Als Nutzer dieses Produktes, sind Sie allein verantwortlich, es in einer Art und Weise zu benutzen, die eine eigene Gefährdung und die anderer oder Beschädigung an anderem Eigentum ausschließt.

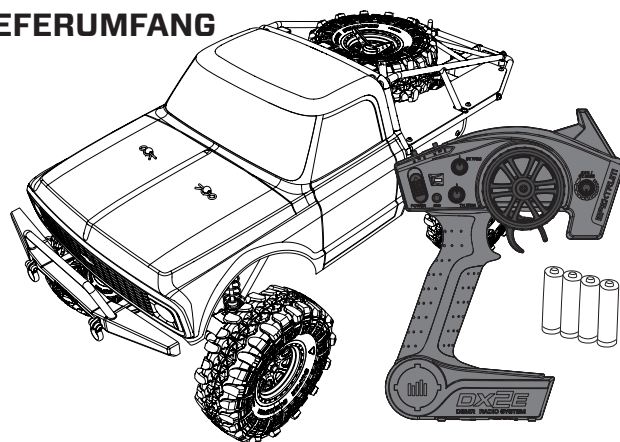
Das Modell ist ferngesteuert und anfällig für bestimmte äußere Einflüsse. Diese Einflüsse können zum vorübergehenden Verlust der Steuerfähigkeit führen, so dass es immer sinnvoll ist genügend Sicherheitsabstand in alle Richtungen um das Modell zu haben.

- » Fahren Sie das Modell nie mit fast leeren oder schwachen Senderbatterien.
- » Betreiben Sie Ihr Modell stets auf offenen Geländen, weit ab von Automobilen, Verkehr und Menschen.
- » Fahren Sie Ihr Modell nicht auf der Straße oder belebten Plätzen.
- » Beachten Sie vorsichtig alle Hinweise und Warnungen für das Modell und allen dazu gehörigen Equipment.
- » Halten Sie alle Chemikalien, Kleinteile und elektrische Bauteile aus der Reichweite von Kindern.

- » Lecken Sie niemals an Teilen von Ihrem Modell oder nehmen diese in den Mund, da diese Sie ernsthaft verletzen oder töten können.
- » Seien Sie immer aufmerksam wenn Sie Werkzeug oder scharfe Instrumente verwenden.
- » Seien Sie bei dem Bau vorsichtig, da einige Teile scharfe Kanten haben könnten.
- » Fassen Sie bitte unmittelbar nach dem Betrieb nicht den Motor, Regler oder Akku an, da diese Teile sich sehr erwärmen können und Sie sich bei dem berühren ernsthaft verbrennen können.
- » Fassen Sie nicht in drehende oder sich bewegende Teile, da sich ernsthaft dabei verletzen können.
- » Schalten Sie immer zuerst den Sender ein, bevor Sie den Empfänger im Fahrzeug einschalten.
- » Stellen Sie das Fahrzeug mit den Rädern nicht auf den Boden, wenn Sie die Funktionen überprüfen.

INHALTSVERZEICHNIS

LIEFERUMFANG	10
WASSERFESTES FAHRZEUG MIT SPRITZWASSERGESCHÜTZTER ELEKTRONIK	11
QUICK START	11
LADEN DES AKKUS.....	11
EINSETZEN DES AKKUS	12
SPEKTRUM DX2E RC SYSTEM.....	12
SPMSR310 EMPFÄNGER.....	12
EINLEGEN DER BATTERIEN	12
KALIBRIEREN DES EMPFÄNGERS	13
SICHERHEITSHINWEISE BEIM FAHREN.....	13
EINSCHALTEN DES FAHRZEUGES	13
BEVOR SIE IHR FAHRZEUG FAHREN	13
LAUFZEIT.....	13
ÄNDERN DER SERVOWEGEINSTELLUNGEN	13
DURCHFÜHREN EINES STEUERTEST	14
DYNAMITE 60A SPRITZWASSERGESCHÜTZTER BÜRSTENREGLER / ESC.....	14
DYNAMITE 540 BÜRSTENMOTOR 35T.....	15
PROBLEMLÖSUNG.....	15
GARANTIE UND SERVICE INFORMATIONEN.....	16
GARANTIE UND SERVICE KONTAKTINFORMATIONEN	16
EU KONFORMITÄTSERKLÄRUNG.....	16
TEILELISTE.....	31-32
OPTIONALE BAUTEILE.....	32
EXPLOSIONSZEICHNUNG.....	33-39

LIEFERUMFANG**REGISTRIEREN SIE IHR VATERRA PRODUKT ONLINE**

Registrieren Sie Ihr Fahrzeug jetzt und erfahren Sie als erstes alles über optionale Teile, neue Produkte und vieles mehr. Wählen Sie WWW.LOSI.COM und folgen den Anweisungen des Registrierungs Links.

KOMPONENTEN

- » Vattera® 1972 Chevrolet® K10 Ascender® 4WD RTR (VTR03090)
- » Spektrum™ DX2E 2.4GHz Fernsteuerung (SPM2330)
- » Spektrum™ 3-Channel DSMR® AVC® Surface Empfänger (SPMSR310)
- » Spektrum™ 9KG WP-Metall-Servo 23T (SPMS605)
- » Dynamite® 60A Brushed Waterproof ESC (DYNS2210)
- » Dynamite® 540 Brushed Motor 35T (DYNS1216)
- » 4 AA Batterien für Sender

WASSERFESTES FAHRZEUG MIT SPRITZWASSERGESCHÜTZTER ELEKTRONIK //////////////////////////////////////

Ihr neues Horizon Hobby Fahrzeug wurde mit einer Kombination von wasserfesten und spritzwassergeschützten Komponenten ausgestattet, die den Betrieb des Fahrzeuges unter nassen Bedingungen inklusive Pfützen, Bächen, nassem Gras, Schnee oder sogar Regen ermöglichen.

Obwohl das Fahrzeug sehr wasserfest ausgelegt ist, ist es nicht vollständig wasserdicht und sollte NICHT wie ein U-Boot behandelt werden. Die verschiedenen elektronischen Komponenten wie der elektronische Fahrtregler (ESC), die Servos und Empfänger sind wasserdicht, die meisten mechanischen Komponenten sind nur wasserbeständig und sollten daher nicht untergetaucht werden.

Metallteile, inklusive Lager, Bolzen Schrauben und Muttern wie auch die Kontakte in den elektrischen Kabeln sind für Korrosion anfällig wenn nicht zusätzliche Wartung nach jedem Betrieb in feuchter/nasser Umgebung erfolgt. Um die Langzeitleistung und die Garantie ihres Fahrzeuges zu erhalten, müssen Sie die Wartung wie in der Wartungsanleitung nach Fahrten in nasser Umgebung beschrieben durchführen. Sollten Sie diese zusätzliche Wartung nicht ausführen wollen, dürfen Sie ihr Fahrzeug unter diesen Bedingungen nicht betreiben.

⚠️ ACHTUNG: Mangelnde Aufmerksamkeit bei dem Gebrauch dieses Produktes in Verbindung mit den folgenden Sicherheitshinweisen könnte zu Fehlfunktionen und zum Verlust der Garantie führen.

ALLGEMEINE SICHERHEITSHINWEISE

- » Bitte lesen Sie sich die Wartungsanleitung nach Fahrten in nasser Umgebung sorgfältig durch und stellen sicher, dass Sie alle Werkzeuge für eine Wartung des Fahrzeuges haben.
- » Sie können nicht alle Akkutypen für Fahrten in nasser Umgebung nutzen. Fragen Sie dazu vor dem Einsatz den Hersteller des Akkus. Achtsamkeit und Vorsicht ist notwendig wenn Sie LiPo Akkus in feuchten Umgebungen einsetzen.
- » Die meisten Sender sind nicht wasserfest. Sehen Sie bitte dazu vor Inbetriebnahme in der Bedienungsanleitung ihres Senders nach oder kontaktieren Sie den Hersteller.
- » Nehmen Sie niemals den Sender bei Blitzen oder Gewitter in Betrieb.
- » Betreiben Sie ihr Fahrzeug nicht an Orten wo es in Kontakt mit Salzwasser oder verschmutzten, belasteten Gewässern kommen kann. Salzwasser ist sehr leitend und stark korrosionsfördernd, sein Sie daher sehr achtsam.
- » Schon geringer Wasserkontakt kann den Motor beschädigen wenn er nicht für den Betrieb in Wasser ausgelegt ist. Sollte der Motor nass geworden sein geben Sie etwas Gas bis die meiste Feuchtigkeit

vom Motor entfernt ist. Lassen Sie einen nassen Motor auf hoher Geschwindigkeit laufen wird dieses den Motor sehr schnell beschädigen.

- » Fahren in nasser Umgebung kann die Lebenszeit des Motors reduzieren, da dieses den Motor stark beansprucht. Verändern Sie die Untersetzung zu einem kleinerem Ritzel oder größeren Zahnrad. Dieses erhöht das Drehmoment (und verlängert die Motorlebensdauer) bei dem Betrieb in Matsch, tieferen Pfützen oder anderen Bedingungen, die die Last des Motors für einen längeren Zeitraum erhöhen.

WARTUNGSANLEITUNG NACH FAHRTEN IN NASSER UMGEBUNG

- » Entfernen Sie Wasser in den Reifen durch Gas geben. Nehmen Sie die Karosserie ab, drehen das Fahrzeug auf den Kopf und geben ein paar Mal kurz Vollgas bis das Wasser aus dem Reifen entfernt ist.

⚠️ ACHTUNG: Halten Sie immer die Hände, Finger, Werkzeuge und andere lose oder hängende Objekte weg von drehenden Teilen wenn Sie diese Technik des Trocknens praktizieren.

- » Entfernen Sie die Akkupacks und trocknen die Kontakte. Sollten Sie einen Kompressor oder Druckluft zur Verfügung haben, blasen Sie damit das Wasser aus dem Motorgehäuse.
- » Nehmen Sie die Reifen und Felgen vom Fahrzeug ab und spülen Sie vorsichtig mit einem Gartenschlauch ab. Vermeiden Sie die Lager oder den Antrieb direkt zu spülen.

HINWEIS: Verwenden Sie keinen Hochdruckreiniger um das Fahrzeug zu reinigen.

- » Reinigen Sie das Fahrzeug mit Druckluft aus einem Kompressor oder einer Druckluftflasche und entfernen so das Wasser aus den Spalten und Ecken.
- » Sprühen Sie alle Lager, Befestigungen und andere Metallteile mit einem wasserdrängendem Leichtöl oder Schmiermittel ein. Sprühen Sie nicht den Motor ein.
- » Lassen Sie das Fahrzeug vor dem Einlagern vollständig trocknen. Das Abtropfen von Wasser (und Öl) kann durchaus ein paar Stunden dauern.
- » Erhöhen Sie die Wartungsintervalle (Demontage, Inspektion und schmieren) von folgenden Komponenten:
 - Vorder- und Hinterachse, Aufnahme und Lager.
 - Alle Antriebswellen Lager, Gehäuse, Getriebe und Differentiale.
 - Motor: reinigen Sie den Motor mit einen Aerosol Reiniger und ölen Sie dann die Lager mit leichtem Motoröl.

QUICK START //////////////////////////////////////

Bitte lesen die gesamte Bedienungsanleitung Chevy K10 Ascender vollständig zu verstehen, einzustellen und Wartungen durchzuführen.

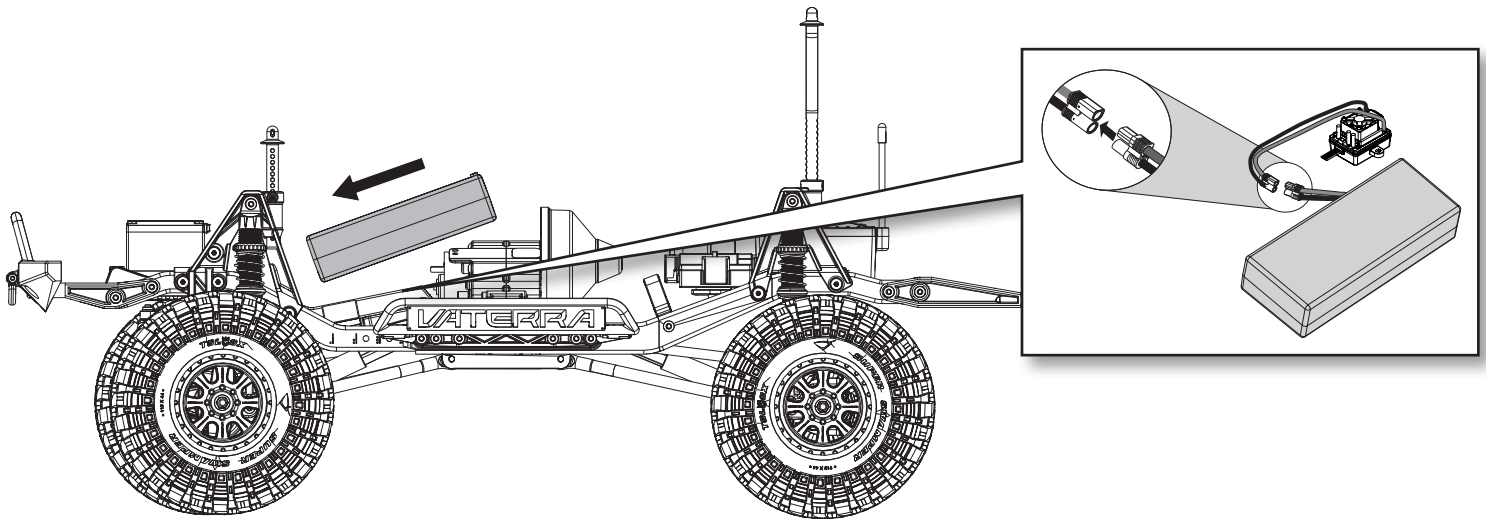
1. Bitte lesen Sie die Sicherheitshinweise in dieser Bedienungsanleitung.
2. Laden Sie den Fahrzeugakku. Lesen Sie die Warnungen zum Akku laden und Anweisungen zum Laden der Akkus.
3. Setzen Sie die AA Batterien in den Sender ein. Verwenden Sie nur Alkaline Batterien oder wiederaufladbare Akkus.
4. Setzen Sie den vollständig geladenen Akku im Fahrzeug ein.
5. Schalten Sie immer erst den Sender und dann das Fahrzeug ein. Warten Sie 5 Sekunden damit sich der Regler initialisieren kann. Beim Ausschalten schalten Sie immer zuerst das Fahrzeug aus und dann den Sender.
6. Überprüfen Sie die Richtung von Lenkung und Gas. Überprüfen Sie ob die Servos in die richtige Richtung arbeiten.
7. Fahren Sie das Fahrzeug.
8. Führen Sie die erforderlichen Wartungsarbeiten durch.

LADEN DES AKKUS

Wählen Sie einen Akku der für den Einsatz mit dem Dynamite® 60A Brushed Waterproof ESC (DYNS2210) wasserdichten Regler geeignet ist. Wir empfehlen hier den Dynamite® Reaction® 7.4V 4000mAh 2S 50C LiPo: Hardcase mit EC3 Anschluss (DYNB3800EC). Benötigt wird

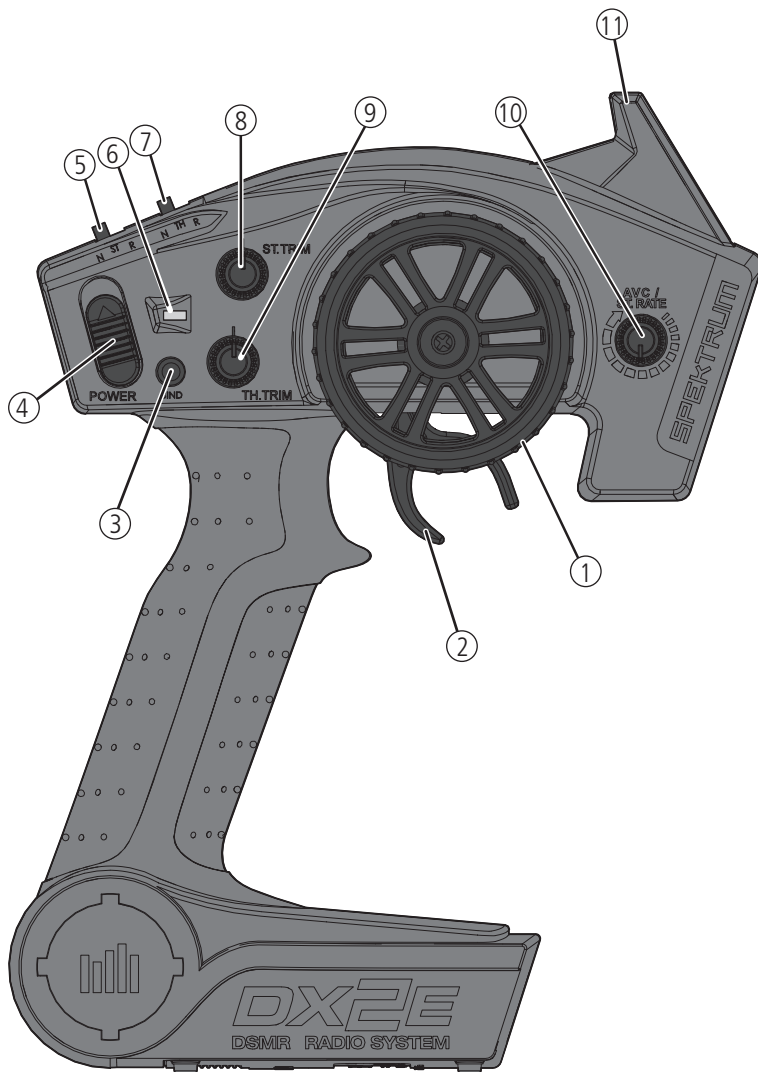
ebenfalls noch ein Ladegerät für die 2S Lipo Akkus. Wir empfehlen hier das Dynamite® Prophet Sport Li-Po 35W AC Ladegerät. Bitte lesen Sie sich die Hinweise und Warnungen zum sicheren Umgang mit dem Ladegerät und Akkus sorgfältig durch.

EINSETZEN DES AKKUS



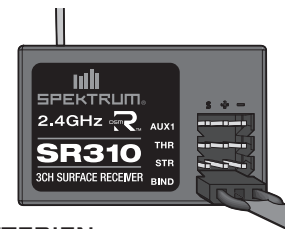
1. Versichern Sie sich dass der Regler ESC ausgeschaltet ist.
2. Lösen Sie die Klettschlaufe auf dem Akkuhalter und setzen einen vollständig geladenen Akku in das Fahrzeug ein.
3. Sichern Sie den Akku auf dem Akkuhalter mit der Klettschlaufe.
4. Schließen Sie den Akku an den Regler an.
5. Schalten Sie den Sender ein und warten 5 Sekunden.
6. Schalten Sie den Regler /ESC ein.

SPEKTRUM DX2E RC SYSTEM



1. **Lenkrad** Steuert die links / rechts Richtung des Modells
2. **Gashebel** Kontrolliert die Geschwindigkeit und Richtung (Vorwärts/Bremse/Rückwärts) des Modells
3. **BINDE Knopf** Aktiviert den Bindemodus
4. **On / Off Schalter** Schaltet den Sender Ein (ON) oder Aus (OFF)
5. **ST. REV** Reversiert die Funktion der Lenkung
6. **Indikator Lichter**
 - **Leuchtend Grün zeigt**—adäquate Batteriespannung
 - **Blinkend Grün zeigt**—kritisch niedrige Spannung. Ersetzen Sie die Batterien
7. **TH. REV** Reversiert die Funktion des Gashebels wenn er nach vorne oder hinten gedrückt wird
8. **ST Trim** Stellt die Mittelstellung der Lenkung ein
9. **TH Trim** Stellt den Neutralpunkt der Gasfunktion ein
10. **ST Rate** Stellt die Gainwert im Empfänger ein
11. **Antenne** Sendet die Signale zum Modell

SPMSR310 EMPFÄNGER



EINLEGEN DER BATTERIEN

1. Drücken Sie die Batteriefachabdeckung etwas ein, um die Sperre zu lösen, und nehmen Sie sie dann ab.
2. Legen Sie 4 AA-Batterien oder Akkus ein und achten Sie dabei auf die richtige Polarität, die im Diagramm im Batteriefach des Senders angegeben ist.
3. Schließen Sie die Batteriefachabdeckung vorsichtig wieder, indem Sie die Laschen in die Schlitz im Sender führen.

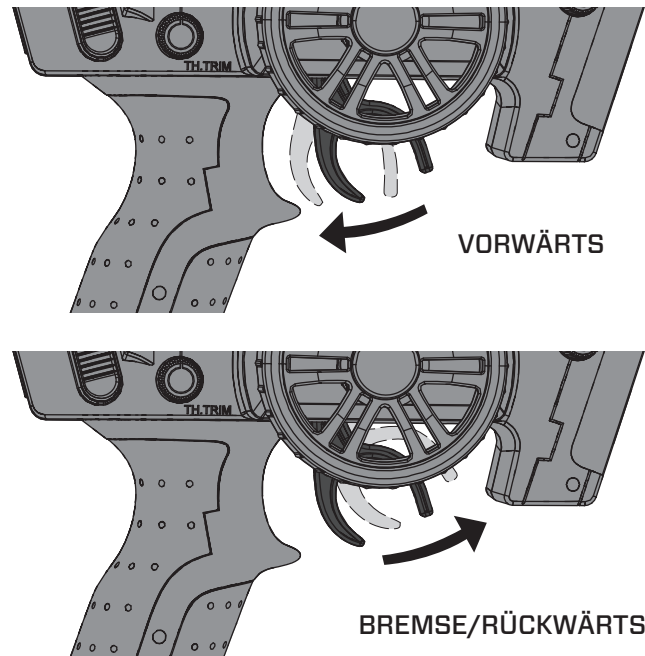
⚠ ACHTUNG: Wenn Sie wiederaufladbare Akkus verwenden, laden Sie nur diese. Das Laden von nicht wiederaufladbaren Batterien kann die Batterien zur Explosion bringen, was Körperverletzung und Sachbeschädigung zur Folge haben kann.

⚠ ACHTUNG: Es besteht Explosionsrisiko wenn die Akkus durch einen falschen Typ ersetzt werden. Entsorgen Sie verbrauchte Batterien den Vorschriften entsprechend.

Für mehr Informationen über den Sender, besuchen Sie bitte www.horizonhobby.com und klicken auf Support.

KALIBRIEREN DES EMPFÄNGERS

1. Stellen Sie das Fahrzeug auf einen ebenen Untergrund und stecken Sie den Bindestecker in den BIND Port des Empfängers.
2. Schließen Sie einen vollständig geladenen Akku an den Regler an.
3. Schalten Sie den Regler ein. Die orange LED blinkt, und zeigt damit an, dass sich der Empfänger im Bindemodus befindet.
4. Zentrieren Sie die ST Trim und TH Trim Regler auf dem Sender.
5. Drücken und halten Sie den BIND Button während Sie den Sender einschalten.
6. Lassen Sie den Bindebutton los wenn die orange LED langsam blinkt. Der Sender und der Empfänger sind gebunden wenn die orange LED leuchtet.
7. Ziehen Sie den Gashebel auf Vollgas.
8. Drücken Sie den Gashebel nach vorne auf Vollbremsung und bringen ihn dann wieder in die Mitte.
9. Drehen Sie das Lenkrad voll nach rechts.
10. Drehen Sie das Lenkrad voll nach links und dann wieder zurück in die Mitte. Die orange LED blinkt einmal.
11. Entfernen Sie den Bindestecker und schalten dann den Empfänger aus um die Einstellungen zu speichern.
12. Schalten Sie den Sender aus.



SICHERHEITSHINWEISE BEIM FAHREN

- » Halten Sie stets Blickkontakt zum Fahrzeug.
- » Prüfen Sie das Fahrzeug auf lose Radteile.
- » Prüfen Sie die Lenkbaugruppe auf lose Teile. Wenn Sie das Fahrzeug im Gelände fahren, können sich Befestigungen mit der Zeit lockern.
- » Fahren Sie das Fahrzeug nicht in hohem Gras. Dadurch können das Fahrzeug oder die Elektronik beschädigt werden.
- » Halten Sie das Fahrzeug an, wenn Sie bemerken, dass der Antrieb nachlässt. Wenn Sie das Fahrzeug mit schwachem Akku fahren, kann sich der Empfänger ausschalten. Dann können Sie die Kontrolle über das Fahrzeug verlieren. Schäden durch einen tiefentladenen LiPo Akku sind nicht durch die Garantie gedeckt.

⚠️ ACHTUNG: Entladen Sie einen Li-Po-Akku nicht unter 3 V pro Zelle. Akkus, die unter die angegebene Mindestspannung tiefentladen werden, können beschädigt werden, was die Leistung beeinträchtigt und möglicherweise beim Laden einen Brand verursachen kann.

- » Drücken Sie den Gashebel nicht nach vorn oder hinten, wenn das Fahrzeug feststeckt. Wenn Sie in der Situation Gas geben kann der Motor oder der Regler (ESC) beschädigt werden.
- » Lassen Sie nach jeder Fahrt die Elektronik auf Umgebungstemperatur abkühlen, bevor Sie das nächste Akkupack verwenden.

WICHTIG: Halten Sie alle Kabel weg von allen beweglichen Teilen.

LAUFZEIT

Der größte Faktor bei der Fahrzeit ist die Kapazität des Akkupacks. Ein höherer mAh-Wert bedeutet eine längere Fahrzeit.

Der Zustand des Akkupacks ist ebenfalls ein wichtiger Faktor für Fahrzeit und Geschwindigkeit. Die Akkuanschlüsse können sich beim Fahren erhitzen. Akkus verlieren mit der Zeit an Leistung und Kapazität.

Wenn Sie das Fahrzeug wiederholt aus dem Stand auf die Höchstgeschwindigkeit beschleunigen, werden die Akkus und die Elektronik mit der Zeit beschädigt. Plötzliche Beschleunigung verkürzt außerdem die Fahrzeit.

SO VERLÄNGERN SIE DIE LAUFZEIT

- » Halten Sie Ihr Fahrzeug sauber und in gutem Wartungszustand.
- » Erlauben Sie einen besseren Luftstrom zum Regler (ESC) und zum Motor.
- » Wechseln Sie das Getriebe zu einem niedrigeren Übersetzungsverhältnis. Ein niedrigeres Übersetzungsverhältnis senkt die Betriebstemperatur der Elektronik. Verwenden Sie ein kleineres Ritzel oder ein größeres Stirnrad, um das Übersetzungsverhältnis zu senken.
- » Verwenden Sie ein Akkupack mit einem höheren mAh-Wert.
- » Verwenden Sie zum Laden ein geeignetes Ladegerät. Ihr Fachhändler berät Sie gerne.

EINSCHALTEN DES FAHRZEUGES

1. Zentrieren Sie die ST TRIM und TH Trim Regler auf dem Sender.
2. Schalten Sie Sender ein.
3. Nehmen Sie die Karosserie vom Fahrzeug.
4. Schließen Sie einen vollständig geladenen Akku an den Regler an.
5. Schalten Sie den Regler ein.

WICHTIG: Das Fahrzeug muß auf einem ebenen Untergrund vollkommen bewegungslos für mindestens 5 Sekunden stehen.

6. Setzen Sie die Karosserie wieder auf das Fahrzeug auf.

BEVOR SIE IHR FAHRZEUG FAHREN

1. Überprüfen Sie die Aufhängung. Alle beweglichen Teile der Aufhängung müssen sich frei bewegen lassen. Jedes schwergängige Teil vermindert die Leistung.
2. Laden Sie den Akkupack. Laden Sie den Akku stets nach den Vorgaben des Herstellers oder nach den Vorgaben des Ladegerätherstellers.
3. Einstellen der Lenktrimmung am Sender. Folgen Sie den Anweisungen zum Einstellen der Trimm- und Subtrimmfunktion, so dass das Fahrzeug ohne Steuereingabe geradeaus fährt.
4. Führen Sie einen Steuertest durch.

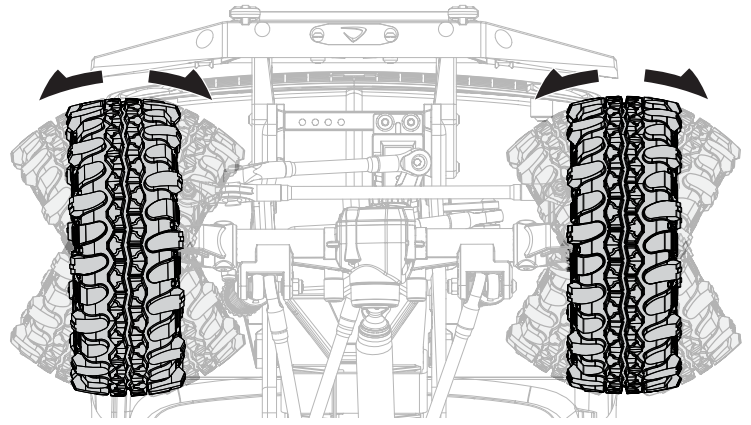
ÄNDERN DER SERVOWEGEINSTELLUNGEN

1. Halten Sie den Gashebel in der Vollbremsstellung, drehen das Lenkrad voll nach rechts während Sie den Sender einschalten. Die LED blinkt schnell und zeigt damit an, dass der Programmiermode aktiv ist.
2. Gas Endpunkt: Halten Sie den Gashebel auf Vollgas. Drehen Sie den TH TRIM Knopf um den Vollgasendpunkt einzustellen.
3. Brems Endpunkt: Halten Sie den Gashebel auf Vollbremsung. Drehen Sie den TH TRIM Knopf um den Vollbremspunkt einzustellen. Bringen Sie den Gashebel wieder in die Mittenposition.
4. Endpunkt Lenkung Links: Halten Sie das Lenkrad in der voll links Position. Drehen Sie den ST TRIM Knopf um die Größe des linken Lenkausschlages zu justieren.
5. Endpunkt Lenkung rechts: Halten Sie das Lenkrad in der voll rechts Position. Drehen Sie den ST TRIM Knopf um die Größe des rechten Lenkausschlages zu justieren. Drehen Sie dann den Lenkausschlag wieder in die Mittelposition.
6. Schalten Sie den Sender aus um die Servowegeinstellungen zu speichern. Der Mindest-Servoweg beträgt 75%, der Maximalweg beträgt 150%.

WICHTIG: Wurde auf der DX2E der Servoweg geändert, müssen Sie den Empfänger neu binden und kalibrieren.

DURCHFÜHREN EINES STEUERTEST

Führen Sie den Funktionstest durch, ohne dass die Räder den Boden berühren. Sollten sich die Räder nach dem Einschalten drehen, justieren Sie die Gastrimmung mit TH Trim Knopf bis die Räder stoppen. Um die Räder nach vorne drehen zu lassen, ziehen Sie den Gashebel. Um rückwärts zu fahren warten Sie bis die Räder zum Stillstand gekommen sind und drücken dann den Hebel nach vorne. Bei der Vorwärtsfahrt sollte das Fahrzeug ohne Lenkeingabe geradeaus fahren. Falls nicht justieren Sie die Lenktrimmung mit dem ST Knopf bis das Fahrzeug geradeaus fährt.



DYNAMITE® 60A SPRITZWASSERGESCHÜTZTER BÜRSTENREGLER / ESC (DYSN 2210) // // // // //

Spezifikationen

Typ	Bürstenregler
Dauerstrom	60A/360A
Widerstand	0,0008 Ohm
Funktion	Vorwärts/Bremse/Rückwärts, Vorwärts/Bremse, Vorwärts/Rückwärts (Crawler Mode)
Betrieb	Proportional vorwärts, Proportional Rückwärts mit Bremsverzögerung, Crawler Mode
Akkutyp Eingangsspannung	2S Li-Po/Li-Fe; 6-7 Zellen Ni-MH/Ni-Cd
Motortyp	540/550er Motoren: 2S Li-Po runter bis zu 8T
BEC Ausgang	5V/2A
Überlastschutz	Thermisch
Maße	35,6mm x 34mm x 18mm
Weight	40 g mit Kabel
Akkustecker	EC3 Anschlußstecker
Motoranschluß	3,5mm Tamiya Style Kontakt Stecker

Regler LED Status

- » Es leuchtet keine LED am Regler wenn kein Gassignal vom Sender anliegt.
- » Die rote LED leuchtet wenn ein Gassignal vom Sender anliegt.

Akustische Warntöne

- Eingangsspannung:** Der Regler prüft bei dem Einschalten die Eingangsspannung. Sollte ein Spannungsproblem festgestellt werden, wird der Regler kontinuierlich 2 mal piepen mit einer Sekunde Pause (xx-xx-xx). Schalten Sie den Regler aus und versichern Sie sich dass alle Verbindungen gesichert sind und die Akkuspannung ausreichend für einen sicheren Betrieb.
- RC Verbindung:** Der Regler prüft bei dem Einschalten ob ein RC Signal vorhanden ist. Sollte ein Problem festgestellt werden, piept der Regler kontinuierlich einmal mit zwei Sekunden Pause (x-x-x) Schalten Sie den Regler aus und überprüfen dass die Fernsteueranlage einwandfrei arbeitet.

Kalibrierung des Reglers

Überprüfen Sie die Reglerfunktion bevor Sie den Regler mit den Sendereingaben kalibrieren.

- Schalten Sie den Regler/ESC aus.
- Stellen Sie bitte sicher, dass der Sender eingeschaltet, der Gaskanal nicht reversiert, die Gastrimmung auf Neutral und der Servoweg auf 100% steht. Deaktivieren Sie alle Sonderfunktionen wie ABS et.
- Halten Sie das as auf neutral und schalten den Regler ein.
- Der Regler kalibriert automatisch den Gasbereich innerhalb von 3 Sekunden.
- Ein langer Piepton zeigt an wenn der Regler betriebsbereit ist.

Anschluss des Reglers

- Schließen Sie das rote (+) Reglerkabel an das rote (+) Motorkabel an.
- Schließen Sie das schwarze (-) Reglerkabel an das schwarze (-) Motorkabel an.

HINWEIS: Trennen Sie nach dem Fahren immer den Akku vom Regler. Der Schalter der Reglers schaltet nur den Strom vom Empfänger und Servos. Der Regler zieht weiterhin Strom wenn der Akku angeschlossen bleibt, was zu möglicher Tiefentladung und Beschädigung des Akkus führen könnte.

Programmierung

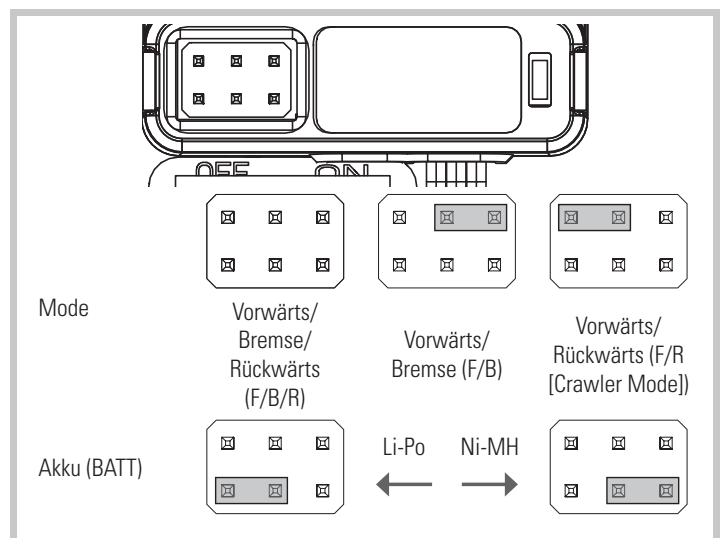
Der Regler ist mit zwei Jumper auf die Modes F/B (Vorwärts/Bremse) und Akkutyp BATT: Li-Po voreingestellt.

Um die Einstellungen auf auf F/B/R (Vorwärts/Bremse/Rückwärts) oder den Akkutyp auf Ni-MH zu ändern.

- Schalten Sie den Regler aus.
- Ziehen Sie den Jumper aus der Buchse und stecken ihn in die gewünschte Buchse.
- Schalten Sie den Regler ein.

Sollten die Jumper nicht eingesteckt oder verloren sein, ist der Standard-Mode Vorwärts/Bremse/Rückwärts und Akkutyp Li-Po.

WARNUNG: Stecken keinen Bindestecker oder Servokabel in die Programmierbuchsen des Reglers. Das könnte den Regler und andere Komponenten beschädigen.



DYNAMITE 540 BÜRSTENMOTOR 35T (DYS1216) //////////////////////////////////////

SICHERHEITSHINWEISE

- » Fassen Sie niemals bewegte Teile an.
- » Demontieren Sie nie das Fahrzeug oder Teile mit eingeletem Akku.
- » Lassen Sie stets Teile abkühlen bevor Sie diese anfassen.

ÜBERSETZUNG

Die Übersetzung des Fahrzeuges bietet eine ideale Kombination zwischen Geschwindigkeit, Kraft und Effizienz. Sollte Sie sich entscheiden ihr Fahrzeug mit optionalen Akkus oder Motoren auszurüsten könnte es notwendig sein, dass Sie das Ritzel oder Zahnrad wechseln müssen.

Der Einbau eines kleineren Ritzels mit weniger Zähnen oder einem größerem Zahnrad bietet mehr Drehmoment, reduziert aber die Höchstgeschwindigkeit. Montieren Sie ein größeres Ritzel und ein kleineres Zahnrad verhält es sich umgekehrt, das Drehmoment verringert sich und die Höchstgeschwindigkeit nimmt zu. Bitte achten Sie bei dem Testen verschiedener Konfigurationen auf die Temperatur des Motors und Reglers, um sicher zu stellen, dass sie sich in den zulässigen Temperaturbereichen der Komponenten bewegen. Der Motor und Regler dürfen nicht so heiß werden, dass sie ihn nicht mehr berühren können. Sollten die Temperatur zu hoch sein müssen sie eine andere Kombination mit kleinerem Ritzel oder größeren Zahnrad wählen.

ÄNDERN DER UNTERSETZUNG

Die folgende Anleitung beschreibt den Wechsel eines abgenutzten Ritzels. Nach dem Wechsel des Ritzels müssen Sie noch das Zahnflankenspiel einstellen.

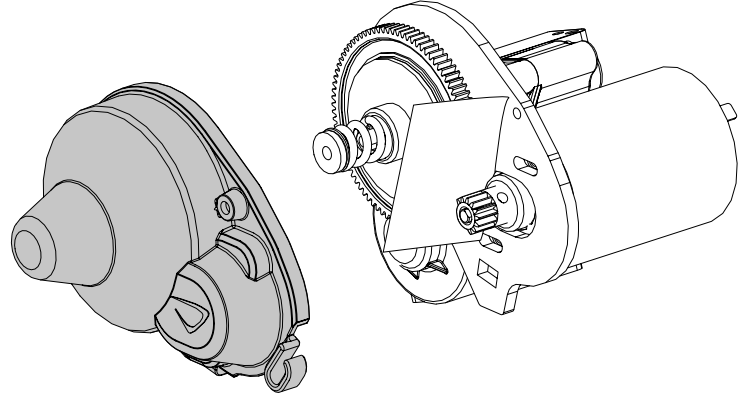
1. Nehmen Sie die Stirnradabdeckung ab.
2. Lösen Sie die Madenschraube um das Ritzel zu entfernen.
3. Lösen Sie die Motorschrauben und schieben den Motor zurück.
4. Setzen Sie das neue Ritzel auf die Welle und achten darauf, dass die Schrauböffnung an der flachen Seite der Welle ist.

Richten Sie das Ritzel so aus dass die Zähne in einer Linie mit dem Zähnen des Stirnrad sind.

EINSTELLEN DES ZAHNFLANKENSPIELS

Das Zahnflankenspiel ist ab Werk bereits eingestellt. Eine Einstellung ist nur notwendig wenn Sie den Motor oder die Zahnräder wechseln.

Die korrekte Einstellung des Zahnflankenspiels (die Position der Zähne zueinander) ist für die richtige Leistung des Fahrzeuges notwendig. Ist das Zahnflankenspiel zu groß, könnte das Stirnrad durch das Ritzel beschädigt werden. Sollte das Spiel zu gering sein, ist die Höchstgeschwindigkeit limitiert und der Motor und Regler überhitzt.



1. Nehmen Sie die Stirnradabdeckung ab.
2. Lösen Sie die Motorschrauben und schieben den Motor zurück.
3. Schieben Sie ein kleines Stück Papier zwischen das Ritzel und das Stirnrad.
4. Drücken Sie die Zahnräder mit sanften Druck zusammen und halten diese bis während Sie die Motorschrauben festziehen.
5. Entfernen Sie das Papier. Prüfen Sie das Zahnflankenspiel an drei bis fünf Positionen.

HINWEIS: Sollten Sie ein 16 Ritzel mit einem 3S LiPo verwenden wird das Fahrzeug, Regler und oder Motor schaden nehmen.

PROBLEMLÖSUNG //////////////////////////////////////

PROBLEM	MÖGLICHE URSACHE	LÖSUNG
Fahrzeug funktioniert nicht	Akku nicht geladen oder eingesteckt	Akku laden/an Regler stecken
	Reglerschalter nicht auf ON (EIN) gestellt	Schalten Sie den Regler ein (ON)
	Sender nicht eingeschaltet (ON) oder Batterien leer	Einschalten (ON)/Batterien ersetzen
Motor läuft, aber Räder drehen nicht	Ritzel hat keinen Kontakt zum Zahnrad	Stellen Sie das Zahnflankenspiel ein
	Ritzel dreht auf Motorwelle	Ziehen Sie das Ritzel auf der Motorwelle an
	Zahnräder abgenutzt	Ersetzen Sie das Ritzel
	Antriebsstift/Mitnehmer gebrochen	Überprüfen und ersetzen Sie den Mitnehmer
Lenkung arbeitet nicht	Servostecker nicht richtig im Empfänger angeschlossen	Stellen Sie sicher dass der Servostecker richtig herum im richtigen Kanal angeschlossen wurde
	Servogetriebe oder Motor defekt	Ersetzen oder reparieren Sie das Servo
Lenkt nicht in eine Richtung	Servogetriebe beschädigt	Ersetzen oder reparieren Sie das Servo
Motor dreht nicht	Motoranschluß/Lötstelle ist beschädigt	Löten Sie das Kabel wieder an
	Motorkabel ist gebrochen	Reparieren oder ersetzen Sie wie benötigt
	Regler ist beschädigt	Kontaktieren Sie den technischen Service von Horizon Hobby
Regler wird heiß	Motorübersetzung falsch gewählt	Verwenden Sie kleinere Ritzel oder ein größeres Zahnrad
	Antrieb blockiert	Überprüfen Sie den Antrieb auf Blockieren
Geringe Laufzeit oder schlechte Beschleunigung	Akkupack nicht vollständig geladen	Laden Sie den Akku
	Ladegerät lädt nicht vollständig	Verwenden Sie anderes Ladegerät
	Antrieb behindert/blockiert	Überprüfen Sie Räder oder Antrieb auf Behinderung/Blockierung
Schlechte Reichweite oder Aussetzer	Senderbatterien leer	Überprüfen und ersetzen
	Fahrzeugakku leer	Laden Sie den Akku
	Lose Kabel oder Anschlüsse	Überprüfen Sie alle Anschlüsse und Stecker

GARANTIE UND SERVICE INFORMATIONEN //////////////////////////////////////

Warnung

Ein ferngesteuertes Modell ist kein Spielzeug. Es kann, wenn es falsch eingesetzt wird, zu erheblichen Verletzungen bei Lebewesen und Beschädigungen an Sachgütern führen. Betreiben Sie Ihr RC-Modell nur auf freien Plätzen und beachten Sie alle Hinweise der Bedienungsanleitung des Modells wie auch der Fernsteuerung.

Garantiezeitraum

Exklusive Garantie Horizon Hobby LLC (Horizon) garantiert, dass das gekaufte Produkt frei von Material- und Montagefehlern ist. Der Garantiezeitraum entspricht den gesetzlichen Bestimmungen des Landes, in dem das Produkt erworben wurde. In Deutschland beträgt der Garantiezeitraum 6 Monate und der Gewährleistungszeitraum 18 Monate nach dem Garantiezeitraum.

Einschränkungen der Garantie

(a) Die Garantie wird nur dem Erstkäufer (Käufer) gewährt und kann nicht übertragen werden. Der Anspruch des Käufers besteht in der Reparatur oder dem Tausch im Rahmen dieser Garantie. Die Garantie erstreckt sich ausschließlich auf Produkte, die bei einem autorisierten Horizon Händler erworben wurden. Verkäufe an Dritte werden von dieser Garantie nicht gedeckt. Garantieansprüche werden nur angenommen, wenn ein gültiger Kaufnachweis erbracht wird. Horizon behält sich das Recht vor, diese Garantiebestimmungen ohne Ankündigung zu ändern oder modifizieren und widerruft dann bestehende Garantiebestimmungen.

(b) Horizon übernimmt keine Garantie für die Verkaufbarkeit des Produktes, die Fähigkeiten und die Fitness des Verbrauchers für einen bestimmten Einsatzzweck des Produktes. Der Käufer allein ist dafür verantwortlich, zu prüfen, ob das Produkt seinen Fähigkeiten und dem vorgesehenen Einsatzzweck entspricht.

(c) Ansprüche des Käufers – Es liegt ausschließlich im Ermessen von Horizon, ob das Produkt, bei dem ein Garantiefall festgestellt wurde, repariert oder ausgetauscht wird. Dies sind die exklusiven Ansprüche des Käufers, wenn ein Defekt festgestellt wird.

Horizon behält sich vor, alle eingesetzten Komponenten zu prüfen, die in den Garantiefall einbezogen werden können. Die Entscheidung zur Reparatur oder zum Austausch liegt nur bei Horizon. Die Garantie schließt kosmetische Defekte oder Defekte, hervorgerufen durch höhere Gewalt, falsche Behandlung des Produktes, falscher Einsatz des Produktes, kommerziellen Einsatz oder Modifikationen irgendwelcher Art aus.

Die Garantie schließt Schäden, die durch falschen Einbau, falsche Handhabung, Unfälle, Betrieb, Service oder Reparaturversuche, die nicht von Horizon ausgeführt wurden aus.

Ausgeschlossen sind auch Fälle die bedingt durch (vii) eine Nutzung sind, die gegen geltendes Recht, Gesetze oder Regularien verstoßen haben. Rücksendungen durch den Käufer direkt an Horizon oder eine seiner Landesvertretungen bedürfen der Schriftform.

Schadensbeschränkung

Horizon ist nicht für direkte oder indirekte Folgeschäden, Einkommensausfälle oder kommerzielle Verluste, die in irgendeinem Zusammenhang mit dem Produkt stehen verantwortlich, unabhängig ob ein Anspruch im Zusammenhang mit einem Vertrag, der Garantie oder der Gewährleistung erhoben werden. Horizon wird darüber hinaus keine Ansprüche aus einem Garantiefall akzeptieren, die über den individuellen Wert des Produktes hinaus gehen. Horizon hat keinen Einfluss auf den Einbau, die Verwendung oder die Wartung des Produktes oder etwaiger Produktkombinationen, die vom Käufer gewählt werden. Horizon übernimmt keine Garantie und akzeptiert keine Ansprüche für in der Folge auftretende Verletzungen oder Beschädigungen. Mit der Verwendung und dem Einbau des Produktes akzeptiert der Käufer alle aufgeführten Garantiebestimmungen ohne Einschränkungen und Vorbehalte. Wenn Sie als Käufer nicht bereit sind, diese Bestimmungen im

Zusammenhang mit der Benutzung des Produktes zu akzeptieren, werden Sie gebeten, das Produkt in unbenutztem Zustand in der Originalverpackung vollständig bei dem Verkäufer zurückzugeben.

Sicherheitshinweise

Dieses ist ein hochwertiges Hobby Produkt und kein Spielzeug. Es muss mit Vorsicht und Umsicht eingesetzt werden und erfordert einige mechanische wie auch mentale Fähigkeiten. Ein Versagen, das Produkt sicher und umsichtig zu betreiben kann zu Verletzungen von Lebewesen und Sachbeschädigungen erheblichen Ausmaßes führen. Dieses Produkt ist nicht für den Gebrauch durch Kinder ohne die Aufsicht eines Erziehungsberechtigten vorgesehen. Die Anleitung enthält Sicherheitshinweise und Vorschriften sowie Hinweise für die Wartung und den Betrieb des Produktes. Es ist unabdingbar, diese Hinweise vor der ersten Inbetriebnahme zu lesen und zu verstehen. Nur so kann der falsche Umgang verhindert und Unfälle mit Verletzungen und Beschädigungen vermieden werden.

Fragen, Hilfe und Reparaturen

Ihr lokaler Fachhändler und die Verkaufsstelle können eine Garantiebeurteilung ohne Rücksprache mit Horizon nicht durchführen. Dies gilt auch für Garantireparaturen. Deshalb kontaktieren Sie in einem solchen Fall den Händler, der sich mit Horizon kurz schließen wird, um eine sachgerechte Entscheidung zu fällen, die Ihnen schnellstmöglich hilft.

Wartung und Reparatur

Muss Ihr Produkt gewartet oder repariert werden, wenden Sie sich entweder an Ihren Fachhändler oder direkt an Horizon.

Rücksendungen / Reparaturen werden nur mit einer von Horizon vergebenen RMA Nummer bearbeitet. Diese Nummer erhalten Sie oder ihr Fachhändler vom technischen Service. Mehr Informationen dazu erhalten Sie im Serviceportal unter www.horizonhobby.de oder telefonisch bei dem technischen Service von Horizon.

Packen Sie das Produkt sorgfältig ein. Beachten Sie, dass der Originalkarton in der Regel nicht ausreicht, um beim Versand nicht beschädigt zu werden. Verwenden Sie einen Paketdienstleister mit einer Tracking Funktion und Versicherung, da Horizon bis zur Annahme keine Verantwortung für den Versand des Produktes übernimmt. Bitte legen Sie dem Produkt einen Kaufbeleg bei, sowie eine ausführliche Fehlerbeschreibung und eine Liste aller eingesendeten Einzelkomponenten. Weiterhin benötigen wir die vollständige Adresse, eine Telefonnummer für Rückfragen, sowie eine Email Adresse.

Garantie und Reparaturen

Garantieanfragen werden nur bearbeitet, wenn ein Originalkaufbeleg von einem autorisierten Fachhändler beiliegt, aus dem der Käufer und das Kaufdatum hervorgeht. Sollte sich ein Garantiefall bestätigen wird das Produkt repariert oder ersetzt. Diese Entscheidung obliegt einzig Horizon Hobby.

Kostenpflichtige Reparaturen

Liegt eine kostenpflichtige Reparatur vor, erstellen wir einen Kostenvorschlag, den wir Ihrem Händler übermitteln. Die Reparatur wird erst vorgenommen, wenn wir die Freigabe des Händlers erhalten. Der Preis für die Reparatur ist bei Ihrem Händler zu entrichten. Bei kostenpflichtigen Reparaturen werden mindestens 30 Minuten Werkstattzeit und die Rückversandkosten in Rechnung gestellt. Sollten wir nach 90 Tagen keine Einverständniserklärung zur Reparatur vorliegen haben, behalten wir uns vor, das Produkt zu vernichten oder anderweitig zu verwerten.



ACHTUNG: Kostenpflichtige Reparaturen nehmen wir nur für Elektronik und Motoren vor. Mechanische Reparaturen, besonders bei Hubschraubern und RC-Cars sind extrem aufwendig und müssen deshalb vom Käufer selbst vorgenommen werden.

10/15

Garantie und Service Kontaktinformationen //////////////////////////////////////

Land des Kauf	Horizon Hobby	Telefon / E-mail Adresse	Adresse
Deutschland	Horizon Technischer Service Sales: Horizon Hobby GmbH	+49 (0) 4121 2655 100 service@horizonhobby.de	Christian-Junge-Straße 1 25337 Elmshorn

HORIZON
H O B B Y - GmbH

CE EU Konformitätserklärung: Horizon LLC erklärt hiermit, dass dieses Produkt konform zu den essentiellen Anforderungen der R&TTE, EMC und LVD Direktive.
Eine Kopie der Konformitätserklärung ist online unter folgender Adresse verfügbar: <http://www.horizonhobby.com/content/support-render-compliance>.



Anweisungen zur Entsorgung von Elektro- und Elektronik-Altgeräten für Benutzer in der Europäischen Union

Dieses Produkt darf nicht zusammen mit anderem Abfall entsorgt werden. Stattdessen ist der Benutzer dafür verantwortlich, unbrauchbare Geräte durch Abgabe bei einer speziellen Sammelstelle für das Recycling von unbrauchbaren elektrischen und elektronischen Geräten zu entsorgen. Die separate Sammlung und das Recycling von unbrauchbaren Geräten zum Zeitpunkt der Entsorgung hilft, natürliche Ressourcen zu bewahren und sicherzustellen, dass Geräte auf eine Weise wiederverwertet werden, bei der die menschliche Gesundheit und die Umwelt geschützt werden. Weitere Informationen dazu, wo Sie unbrauchbare Geräte zum Recycling abgeben können, erhalten Sie bei lokalen Ämtern, bei der Müllabfuhr für Haushaltsmüll sowie dort, wo Sie das Produkt gekauft haben.

REMARQUE

La totalité des instructions, garanties et autres documents est sujette à modification à la seule discrétion d'Horizon Hobby, LLC. Pour obtenir la documentation à jour, rendez-vous sur le site horizonhobby.com et cliquez sur l'onglet de support de ce produit.

SIGNIFICATION DE CERTAINS TERMES SPÉCIFIQUES

Les termes suivants sont utilisés dans l'ensemble du manuel pour indiquer différents niveaux de danger lors de l'utilisation de ce produit :

REMARQUE : Procédures qui, si elles ne sont pas suivies correctement, peuvent entraîner des dégâts matériels ET éventuellement un faible risque de blessures.

ATTENTION : Procédures qui, si elles ne sont pas suivies correctement, peuvent entraîner des dégâts matériels ET des blessures graves.

AVERTISSEMENT : Procédures qui, si elles ne sont pas suivies correctement, peuvent entraîner des dégâts matériels et des blessures graves OU engendrer une probabilité élevée de blessure superficielle.

AVERTISSEMENT : Lisez la TOTALITÉ du manuel d'utilisation afin de vous familiariser avec les caractéristiques du produit avant de le faire fonctionner. Une utilisation incorrecte du produit peut entraîner sa détérioration, ainsi que des risques de dégâts matériels, voire de blessures graves. Ceci est un produit de loisirs sophistiqué. Il doit être manipulé avec prudence et bon sens et requiert des aptitudes de base en mécanique. Toute utilisation irresponsable de ce produit ne respectant pas les principes de sécurité peut provoquer des blessures, entraîner des dégâts matériels et endommager le produit. Ce produit n'est pas destiné à être utilisé par des enfants sans la surveillance directe d'un adulte. N'essayez pas de démonter le produit, de l'utiliser avec des composants incompatibles ou d'en améliorer les performances sans l'accord d'Horizon Hobby, LLC. Ce manuel comporte des instructions relatives à la sécurité, au fonctionnement et à l'entretien. Il est capital de lire et de respecter la totalité des instructions et avertissements du manuel avant l'assemblage, le réglage et l'utilisation, ceci afin de manipuler correctement l'appareil et d'éviter tout dégât matériel ou toute blessure grave.

AVERTISSEMENT CONTRE LES PRODUITS CONTREFAITS Toujours acheter chez un revendeur officiel Horizon hobby pour être sûr d'avoir des produits authentiques. Horizon Hobby décline toute garantie et responsabilité concernant les produits de contrefaçon ou les produits se disant compatibles DSM ou Spektrum.

14 ans et plus. Ceci n'est pas un jouet.

PRÉCAUTIONS ET AVERTISSEMENTS LIÉS À LA SÉCURITÉ //

En tant qu'utilisateur de ce produit, il est de votre seule responsabilité de le faire fonctionner d'une manière qui ne mette en danger ni votre personne, ni de tiers et qui ne provoque pas de dégâts au produit lui-même ou à la propriété d'autrui.

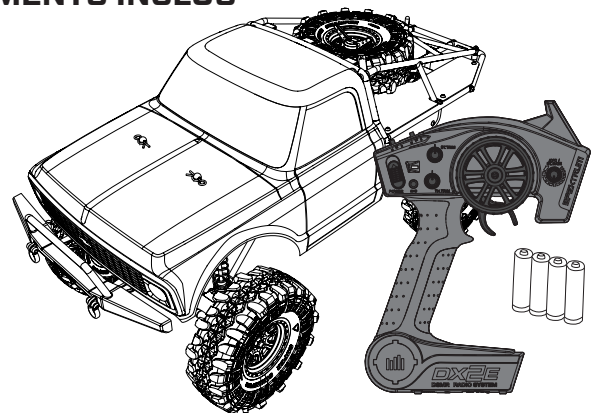
Ce modèle est contrôlé par un signal radio, qui peut être soumis à des interférences provenant de nombreuses sources hors de votre contrôle. Ces interférences peuvent provoquer une perte momentanée de contrôle. Il est donc conseillé de garder une bonne distance de sécurité tout autour de votre modèle, ce qui aidera à éviter les collisions ou les blessures.

- » Ne faites jamais fonctionner votre modèle lorsque les piles de l'émetteur sont faibles.
- » Faites toujours fonctionner votre modèle dans une zone dégagée, à l'écart des voitures, de la circulation ou de personnes.
- » Ne faites jamais et pour quelque raison que ce soit fonctionner votre modèle dans la rue ou dans des zones habitées.
- » Respectez scrupuleusement les instructions et avertissements à cet effet ainsi que pour tous les équipements optionnels/complémentaires (chargeurs, packs de batteries rechargeables, etc.) que vous utilisez.
- » Tenez tous les produits chimiques, les petites pièces et les composants électroniques hors de portée des enfants.

- » Ne léchez ni ne mettez jamais en bouche quelque partie de votre modèle que ce soit, afin d'éviter tout risque de blessures graves, voire danger de mort.
- » Faites bien attention lors de l'utilisation d'outils et lors de l'utilisation d'instruments coupants.
- » Faites bien attention lors du montage, certaines pièces peuvent avoir des bords coupants.
- » Après avoir utilisé votre modèle, NE touchez PAS à certaines de ces pièces telles que le moteur, le contrôleur électronique de vitesse et la batterie, car elles peuvent encore se trouver à des températures élevées. Vous risquez de vous brûler gravement en cas de contact avec elles.
- » Ne mettez ni vos doigts ni aucun autre objet entre des pièces en rotation ou en mouvement, vous risqueriez des dommages ou des blessures graves.
- » Allumez toujours votre émetteur avant d'allumer le récepteur du véhicule. Éteignez toujours le récepteur avant d'éteindre votre émetteur.
- » Veillez à ce que les roues du modèle ne soient pas en contact avec le sol lorsque vous contrôlez le fonctionnement de votre équipement radio.

TABLE DES MATIÈRES

ÉLÉMENTS INCLUS.....	17
VÉHICULE RÉSISTANT À L'EAU ET ÉQUIPÉ D'UNE ÉLECTRONIQUE ÉTANCHE	18
DÉMARRAGE RAPIDE.....	18
CHARGE DE LA BATTERIE	18
INSTALLER LA BATTERIE	19
ÉMETTEUR SPEKTRUM DX2E	19
RÉCEPTEUR SPMSR310	19
INSTALLATION DES PILES DE L'ÉMETTEUR	19
CALIBRATION DU RÉCEPTEUR	19
PRÉCAUTIONS DE PILOTAGE.....	20
MISE SOUS TENSION DU VÉHICULE	20
AVANT DE FAIRE ROULER VOTRE VÉHICULE.....	20
AUTONOMIE.....	20
MODIFICATION DES VALEURS DES COURSES.....	20
TEST DE DIRECTION.....	20
CONTRÔLEUR ÉTANCHE DYNAMITE 60A POUR MOTEUR À BALAIS.....	21
MOTEUR À BALAIS DYNAMITE 35T CLASSE 540.....	22
GUIDE DE DÉPANNAGE.....	22
GARANTIE ET RÉPARATIONS.....	23
COORDONNÉES DE GARANTIE ET RÉPARATIONS	23
INFORMATION DE IC.....	23
DÉCLARATION DE CONFORMITÉ DE L'UNION EUROPÉENNE.....	23
LISTE DES PIÈCES DE RECHARGE	31-32
PIÈCES OPTIONNELLES	32
VUE ÉCLATÉE DES PIÈCES.....	33-39

ÉLÉMENTS INCLUS**ENREGISTREZ VOTRE PRODUIT VATERRA EN LIGNE**

Enregistrez votre véhicule dès maintenant et soyez le premier à être informé des dernières options disponibles, des améliorations des produits et bien plus encore. Cliquez sur l'onglet support de la page de votre produit sur le site WWW.LOSI.COM pour obtenir toutes les informations.

COMPONENTS

- » Vatera® 1972 Chevrolet® K10 Ascender® 4WD RTR (VTR03090)
- » Émetteur Spektrum 2,4GHz DX2E (SPM2330)
- » Récepteur Spektrum DSMR 3 voies AVC® (SPMSR310)
- » Servo Spektrum 9kg étanche, tête 23T (SPMS605)
- » Contrôleur Dynamite Brushed 60A étanche (DYNS2210)
- » Moteur Dynamite Brushed 540 35T (DYNS1216)
- » 4 piles AA (pour l'émetteur)

VÉHICULE RÉSISTANT À L'EAU ET ÉQUIPÉ D'UNE ÉLECTRONIQUE ÉTANCHE //////////////////////////////////////

Votre nouveau véhicule Horizon Hobby a été conçu et fabriqué en combinant des composants étanches et des composants résistants à l'eau vous permettant d'utiliser ce produit dans plusieurs "Conditions Humides" incluant les flaques d'eau, les ruisseaux, l'herbe humide, la neige et même la pluie.

Bien que le véhicule possède une grande résistance vis-à-vis de l'eau, il n'est pas entièrement étanche et votre véhicule ne doit PAS être utilisé comme un sous-marin. Les différents composants électroniques installés sur le véhicule, comme le contrôleur de vitesse électronique (ESC), le ou les servo(s) et le récepteur sont étanches, cependant la plupart des composants mécaniques résistent aux projections d'eau mais ne doivent pas être immergés.

Les pièces métalliques comme les roulements, les axes de suspension, les vis et les écrous ainsi que les contacts des prises des câbles électriques sont exposés à l'oxydation si vous n'effectuez un entretien supplémentaire après avoir utilisé le produit dans des conditions humides. Pour conserver à long terme les performances de votre véhicule et conserver la garantie, les procédures décrites dans la section « Maintenance en conditions humides » doivent être régulièrement effectuées si vous roulez dans des conditions humides. Si vous ne souhaitez pas effectuer la maintenance supplémentaire requise, vous ne devez pas utiliser le véhicule dans ces conditions.

ATTENTION : Un défaut de soin durant l'utilisation et un non-respect des consignes suivantes peut entraîner un dysfonctionnement du produit et/ou annuler la garantie.

PRÉCAUTIONS GÉNÉRALES

- » Lisez avec attention les procédures de maintenance en conditions humides et vérifiez que vous possédez tous les outils nécessaires pour effectuer la maintenance du véhicule.
- » Toutes les batteries ne peuvent être utilisées en conditions humides. Consultez la documentation du fabricant de votre batterie avant utilisation. Des précautions doivent être appliquées quand vous utilisez des batteries Li-Po en conditions humides.
- » La majorité des émetteurs ne résiste pas aux projections d'eau. Consultez le manuel ou le fabricant de votre émetteur avant utilisation.
- » N'utilisez jamais votre émetteur ou votre véhicule sous un orage.
- » N'utilisez JAMAIS votre véhicule où il pourrait entrer en contact avec de l'eau salée (Eau de mer ou flaque d'eau sur une route salée), ou de l'eau polluée ou contaminée.
- » Une petite quantité d'eau peut réduire la durée de vie du moteur s'il n'est pas certifié étanche ou résistant aux projections d'eau. Si le moteur devient excessivement humide, appliquez légèrement les gaz

pour évacuer le maximum d'eau du moteur. Faire tourner à un régime élevé un moteur humide causerait son endommagement rapide.

- » L'utilisation en conditions humides peut réduire la durée de vie du moteur. La résistance de l'eau cause des efforts plus importants. Adaptez le rapport de transmission en utilisant un pignon plus petit ou une couronne plus grande. Cela augmentera le couple (et la durée de vie du moteur) quand vous roulez dans la boue, dans les flaques profondes ou n'importe quelle autre condition humide, cela augmente la charge appliquée au moteur.

MAINTENANCE EN CONDITIONS HUMIDES

- » Evacuez l'eau collectée par les pneus en les faisant tourner à haute vitesse. Retirez la carrosserie, retournez le véhicule et donnez des courts coups d'accélérateur plein gaz jusqu'à ce que l'eau soit retirée.



ATTENTION: Tenez toujours éloigné des parties en rotation, les mains, les doigts, les outils ou autre objet lâches/pendants.

- » Retirez la batterie et séchez ses contacts. Si vous possédez un compresseur d'air ou une bombe d'air compressé, chassez toute l'humidité qui se trouve dans la prise.
- » Retirez les roues du véhicule et rincez-les à l'aide d'un arrosoir pour retirer la boue et la poussière. Évitez de rincer les roulements et la transmission.

REMARQUE : N'utilisez jamais un nettoyeur haute-pressure pour nettoyer le véhicule.

- » Utilisez un compresseur d'air ou une bombe d'air compressée pour sécher le véhicule et vous aider à retirer l'eau logée dans les renforcements et les recoins.
- » Vaporisez du lubrifiant ou de l'anti-humidité sur les roulements, les vis ou autres pièces métalliques. Ne pas en vaporiser sur le moteur.
- » Laissez le véhicule sécher avant de le stocker. L'eau (et l'huile) peuvent continuer à s'écouler durant quelques heures.
- » Augmentez la fréquence d'inspection, de démontage et de lubrification des éléments suivants:
 - Les axes de roues et roulements des fusées avant et arrière.
 - Tous les boîtiers de transmissions, pignons et différentiels.
 - Le moteur—nettoyez-le à l'aide d'un aérosol de nettoyant moteur et lubrifiez les paliers à l'aide de lubrifiant pour roulements.

DÉMARRAGE RAPIDE //////////////////////////////////////

Veuillez entièrement lire le manuel pour comprendre le fonctionnement, les réglages et la maintenance de votre Chevy K10 Ascender.

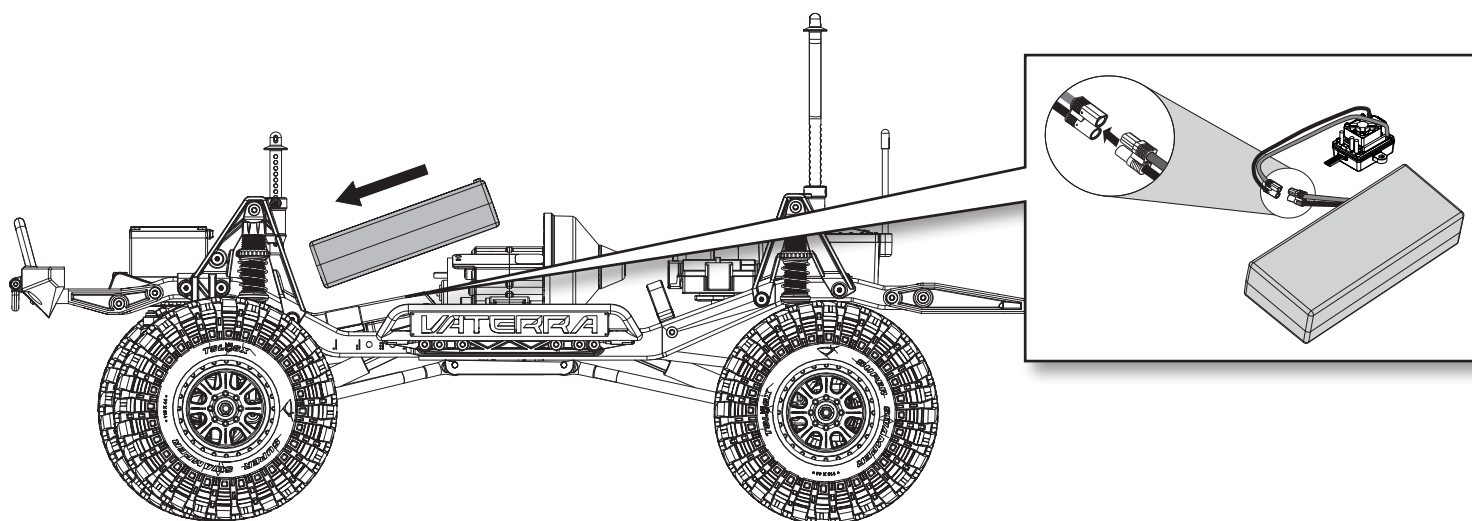
1. Lisez les consignes de sécurité présentes dans ce manuel.
2. Chargez une batterie pour votre véhicule. Référez-vous aux instructions et aux consignes de sécurité relatives à la charge de la batterie.
3. Installez les piles AA dans l'émetteur. Utilisez uniquement des piles alcalines ou des batteries rechargeables.
4. Installez la batterie entièrement chargée dans le véhicule.
5. Mettez en premier l'émetteur sous tension, puis le véhicule. Attendez 5 secondes pour que l'ESC s'initialise. Mettez toujours l'émetteur sous tension en premier et éteignez-le toujours en dernier.
6. Contrôlez la direction et les gaz. Vérifiez qu'ils agissent dans la bonne direction.
7. Pilotez votre véhicule.
8. Effectuez la maintenance requise.

CHARGE DE LA BATTERIE //////////////////////////////////////

Sélectionnez une batterie compatible avec le contrôleur étanche Dynamite 60A pour moteur à balais (DYNS2210). Nous vous recommandons la batterie Li-Po 2S 7,4V 4000mAh 50C, boîtier rigide avec prise EC3 (DYNB3800EC). Sélectionnez un chargeur conçu pour

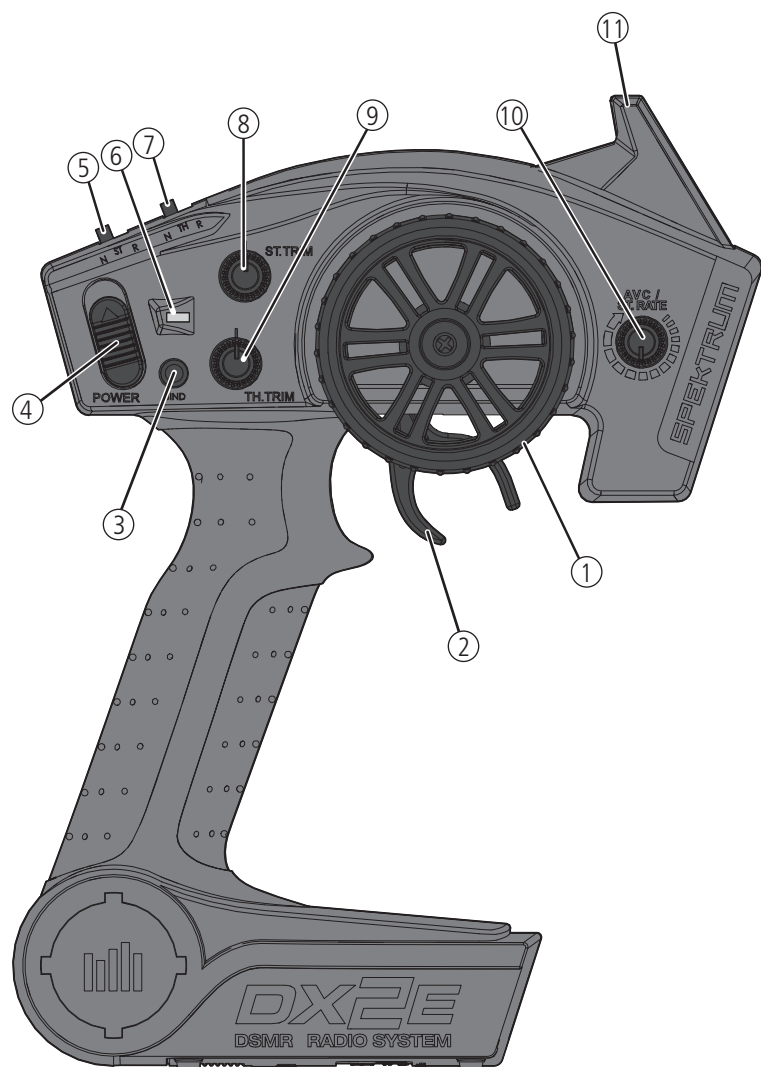
recharger les batteries Li-Po 2S. Nous vous recommandons le chargeur Dynamite Prophet Sport Li-Po 35W AC (DYNC2005CA). Veuillez vous référer au manuel d'utilisation de la batterie et du chargeur pour plus d'informations sur la sécurité, l'utilisation et la charge.

INSTALLER LA BATTERIE



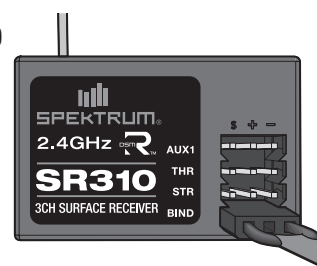
1. Assurez-vous que le contrôleur est hors tension.
2. Desserrez la sangle auto-agrippante du support batterie et installez la batterie complètement chargée dans le véhicule.
3. Fixez la batterie sur le support à l'aide de la sangle auto-agrippante.
4. Connectez la batterie au contrôleur.
5. Mettez l'émetteur sous tension et patientez 5 secondes.
6. Mettez le contrôleur sous tension.

ÉMETTEUR SPEKTRUM DX2E



1. **Volant de direction** Commande la direction (gauche/droite) du modèle
2. **Gâchette des gaz** Contrôle la puissance du moteur (marche avant/frein/arrière)
3. **Bouton affectation** Place l'émetteur en mode affectation
4. **Interrupteur ON/OFF** Commande l'alimentation de l'émetteur
5. **ST. REV** Inverse le fonctionnement de la direction quand le volant est tourné à gauche ou à droite
6. **Indications lumineuses**
 - DEL verte fixe—indique la tension adéquate des piles
 - DEL verte clignotante—indique une tension trop faible. Remplacez les piles
7. **TH. REV** Inverse le fonctionnement de la commande des gaz quand la gâchette est pressée ou poussée
8. **ST Trim** Permet de régler le neutre de la direction
9. **TH Trim** Permet de régler le neutre des gaz
10. **ST Rate** Agit sur la valeur de la sensibilité du récepteur
11. **Antenne** Transmet le signal au modèle

RÉCEPTEUR SPMSR310



INSTALLATION DES PILES DE L'ÉMETTEUR

1. Appuyez légèrement sur le cache des piles pour dégager la languette de retenue, puis retirez-le.
2. Installez 4 piles AA, en prenant bien soin d'aligner les polarités conformément au schéma présent dans le compartiment de l'émetteur.
3. Remettez le cache des piles en place en alignant avec soin la languette avec la fente sur l'émetteur.

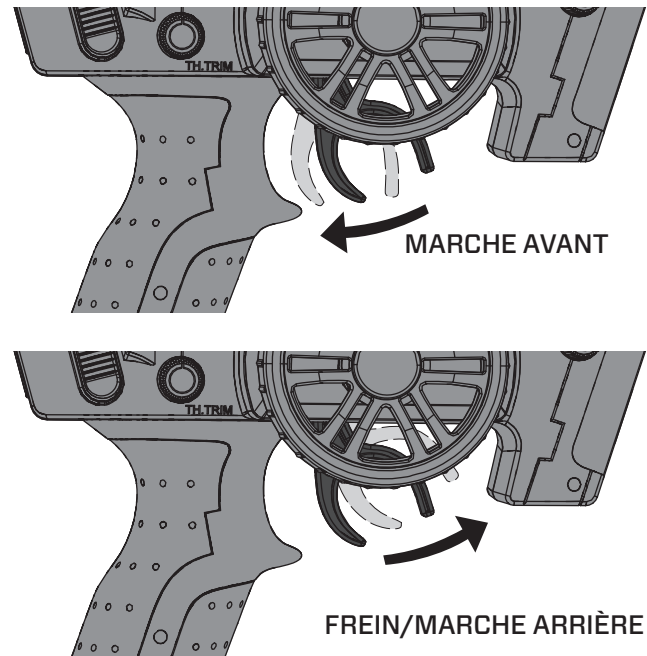
ATTENTION: Si vous utilisez des piles rechargeables, ne rechargez que celles-ci. Si vous tentez de charger des piles non-rechargeables, vous vous exposez à un risque d'explosion entraînant des blessures corporelles et des dégâts matériels.

ATTENTION: Risque d'explosion si la batterie est remplacée par un type de batterie non conforme. Éliminez les batteries usagées selon les réglementations nationales.

Pour des informations complémentaires concernant l'émetteur, visitez www.horizonhobby.com et cliquez sur l'onglet support de la page de la Spektrum DX2E pour télécharger son manuel d'utilisation.

CALIBRATION DU RÉCEPTEUR

1. Avec votre véhicule sur une surface plane et de niveau, insérez la prise d'affectation dans le port BIND du récepteur.
2. Connectez une batterie entièrement chargée au contrôleur.
3. Mettez le contrôleur sous tension. La DEL orange clignote indiquant que le récepteur est en mode affectation.
4. Placez les potentiomètres ST TRIM et TH TRIM de l'émetteur au neutre.
5. Maintenez appuyé le bouton BIND (Affectation) tout en mettant l'émetteur sous tension.
6. Relâchez le bouton BIND quand la DEL orange se met à clignoter lentement. La liaison entre l'émetteur et le récepteur est effectuée quand la DEL orange s'allume fixement.
7. Pressez la gâchette en position plein gaz.
8. Poussez la gâchette en position frein maximum, puis relâchez la gâchette pour la remettre au neutre.
9. Faites tourner le volant complètement à droite.
10. Faites tourner le volant complètement à gauche, puis relâchez-le pour le remettre au neutre. La DEL orange va clignoter une fois.
11. Retirez la prise d'affectation du récepteur et mettez-le hors tension pour enregistrer les paramètres.
12. Mettez l'émetteur hors tension.



PRÉCAUTIONS DE PILOTAGE

- » Regardez toujours le modèle.
- » Inspectez régulièrement le serrage des roues du véhicule.
- » Inspectez régulièrement les éléments de la direction, le serrage des vis. Une conduite en tout-terrain peut causer le desserrage des fixations.
- » Ne pilotez pas le véhicule dans de l'herbe haute. Vous risqueriez d'endommager le véhicule ou l'électronique.
- » Stoppez la conduite du véhicule quand vous sentez une baisse de la puissance. Conduire le véhicule avec une batterie déchargée peut entraîner la mise hors tension du récepteur. Si le récepteur n'est plus alimenté, vous perdrez le contrôle de votre véhicule. Les dommages causés par une batterie Li-Po déchargée ne sont pas couverts par la garantie.

ATTENTION : Ne déchargez pas une batterie Li-Po en dessous de 3V par élément. Les batteries qui sont déchargées en dessous de la tension minimale approuvée seront endommagées, résultant en une perte de performances et un risque potentiel d'incendie lors de la charge suivante.

- » N'appliquez pas la marche avant ou arrière si le véhicule est bloqué. Vous risqueriez d'endommager le moteur ou le contrôleur.
- » Après avoir piloté le véhicule, laissez l'électronique refroidir avant de piloter une nouvelle fois.

IMPORTANT: Maintenez les câbles à l'écart des pièces en mouvement.

AUTONOMIE

Le facteur le plus influant sur l'autonomie est la capacité de la batterie. Une capacité supérieure augmentera l'autonomie.

L'état de la batterie est aussi un facteur très important pour l'autonomie et la vitesse. Les prises de la batterie peuvent chauffer durant l'utilisation. Les batteries perdent en performances et capacité au fil du temps.

Passer le véhicule de l'arrêt à pleine vitesse de façon répétée finira par endommager la batterie et l'électronique. Les accélérations brutales réduisent l'autonomie.

POUR AMÉLIORER L'AUTONOMIE

- » Ayez toujours un véhicule entretenu et propre.
- » Optimisez le refroidissement du contrôleur et du moteur.
- » Changez votre rapport de transmission pour une réduction plus importante. Une réduction plus importante diminuera la température de fonctionnement de l'électronique. Utilisez un pignon plus petit ou une couronne plus grande pour obtenir une réduction plus importante.
- » Utilisez une batterie avec une capacité plus élevée.
- » Utilisez le chargeur optimum pour effectuer la recharge des batteries (Consultez votre revendeur local pour des informations complémentaires).

MISE SOUS TENSION DU VÉHICULE

1. Placez les potentiomètres ST TRIM et TH TRIM de l'émetteur au neutre.
2. Mettez l'émetteur sous tension.
3. Retirez la carrosserie du véhicule.
4. Connectez une batterie entièrement chargée au contrôleur.
5. Mettez le contrôleur sous tension.

IMPORTANT: Le véhicule DOIT rester immobile sur surface plane et de niveau pendant au moins 5 secondes.

6. Remplacez la carrosserie sur le véhicule.

AVANT DE FAIRE ROULER VOTRE VÉHICULE

1. Contrôlez le libre mouvement de la suspension. Tous les bras de suspension ainsi que les composants de direction doivent pivoter librement.
2. Chargez la batterie. Chargez toujours la batterie en respectant les consignes données par le fabricant de la batterie et du chargeur.
3. Ajustez sur l'émetteur le trim de la direction. Suivez les instructions pour régler le trim/sub-trim pour que le véhicule roule droit quand le volant n'est pas actionné.
4. Effectuez un test de direction.

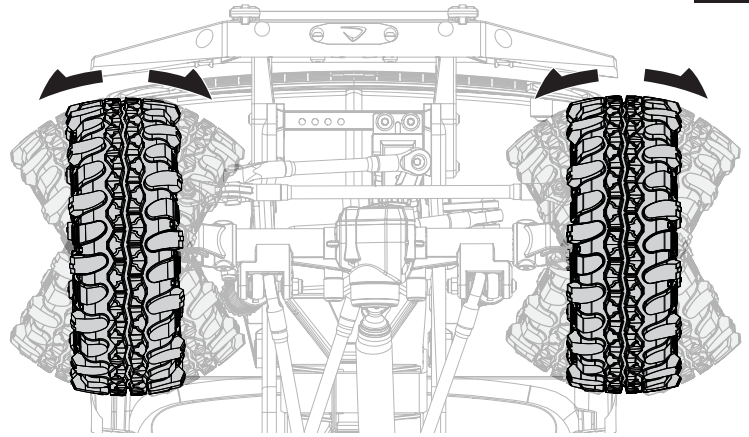
MODIFICATION DES VALEURS DES COURSES

1. Maintenez la gâchette en position frein maximum et braquez les roues à droite à l'aide du volant de direction tout en mettant l'émetteur sous tension. La DEL va clignoter rapidement indiquant que le mode programmation est activé.
2. Fin de course des gaz : Maintenez la gâchette en position plein gaz. Faites tourner le potentiomètre TH TRIM pour régler la fin de course des gaz.
3. Fin de course du frein : Maintenez la gâchette en position frein maximum. Faites tourner le potentiomètre TH TRIM pour régler la fin de course du frein. Relâchez la gâchette pour la remettre au neutre.
4. Fin de course de la direction vers la gauche : Maintenez le volant en position complètement à gauche. Faites tourner le potentiomètre ST TRIM pour régler la fin de course de la direction vers la gauche.
5. Fin de course de la direction vers la droite : Maintenez le volant en position complètement à droite. Faites tourner le potentiomètre ST TRIM pour régler la fin de course de la direction vers la droite. Relâchez le volant pour le remettre au neutre.
6. Mettez l'émetteur hors tension pour enregistrer les paramètres. La valeur minimale de la course est de 75% et la valeur maximale est de 150%.

IMPORTANT: Si la course est modifiée sur la DX2E, vous devrez réaffecter et recalibrer l'émetteur.

TEST DE DIRECTION

Effectuez un test des commandes en plaçant les roues du véhicule hors du sol. Si les roues se mettent à tourner après la mise sous tension du véhicule, ajustez le potentiomètre TH Trim jusqu'à obtenir l'arrêt de la rotation des roues. Pressez la gâchette pour faire tourner les roues en avant. Pour inverser leur rotation, attendez que leur rotation s'arrête, puis poussez la gâchette. Quand les roues tournent en marche avant, elle doivent rester parfaitement droites sans devoir corriger l'angle à l'aide du volant. Si ce n'est pas le cas, ajustez le trim ST Trim pour obtenir un trajectoire rectiligne sans agir sur le volant.



CONTRÔLEUR ÉTANCHE DYNAMITE 60A POUR MOTEUR À BALAIS (DYN52210) //////////////////////////////////////

CARACTÉRISTIQUES TECHNIQUES

Type	Moteur à balais
Intensité continue/ en crête	60A/360A
Résistance	0,0008 Ohm
Fonctions	Avant/Frein arrière, Avant/arrière, Avant/arrière (Mode Crawler)
Fonctionnement	Marche avant et arrière proportionnelles, frein temporisé, Mode Crawler
Tension d'alimentation	2 S Li-Po/Li-Fe; 6 à 7 éléments Ni-MH/Ni-Cd
Type de moteur	Moteurs classe 540/550 non démontables: Jusqu'à 8T sous 2S Li-Po
Sortie BEC	5V/2A
Protection anti-surcharge	Thermique
Dimensions	35,6mm x 34mm x 18mm
Masse	40 g avec câbles
Connecteur de batterie	EC3
Connecteurs moteur	Cylindrique diamètre 3.5mm

DEL DE STATUT DU CONTRÔLEUR

- » Quand l'émetteur ne donne pas d'ordre sur la voie des gaz, aucune DEL du contrôleur n'est allumée.
- » Quand un ordre est donné, la DEL rouge du contrôleur s'allume.

ALERTES SONORES

- Alimentation :** Le contrôleur contrôle la tension quand il est mis sous tension. Si une anomalie est détectée, le contrôleur va émettre en continu deux bips puis une pause d'une seconde (xx-xx-xx). Mettez le contrôleur hors tension, puis contrôlez les connexions et l'état de la batterie.
- Connexion radio :** Le contrôleur contrôle le signal radio quand il est mis sous tension. Si une anomalie est détectée, le contrôleur va émettre en continu un bip puis une pause de deux secondes (x-x-x). Mettez le contrôleur hors tension et contrôlez le fonctionnement de la radio.

PROCÉDURE DE CALIBRATION DU CONTRÔLEUR

Assurez le fonctionnement correct du contrôleur en le calibrant par rapport aux informations transmises par l'émetteur.

- Mettez le contrôleur hors tension.
- Contrôlez que votre émetteur est bien sous tension, que la voie des gaz n'est pas inversée, que le trim est au neutre et que la course est à 100%. Désactivez toutes les fonctions spéciales comme l'ABS par exemple.
- Laissez la commande des gaz au neutre et mettez le contrôleur sous tension.
- Le contrôleur va automatiquement calibrer les fins de course dans un délais de 3 secondes.
- Une longue tonalité sera émise quand le contrôleur sera prêt.

BRANCHEMENT DU CONTRÔLEUR

- Connectez le câble rouge (+) du contrôleur au câble rouge (+) du moteur.
- Connectez le câble noir (-) du contrôleur au câble noir (-) du moteur.

REMARQUE: Débranchez toujours la batterie quand vous n'utilisez pas le véhicule. L'interrupteur du contrôleur commande uniquement l'alimentation du récepteur et des servos. Même en position OFF, le contrôleur continue de consommer la batterie, risquant d'endommager la batterie à cause d'une décharge trop importante.

PROGRAMMATION

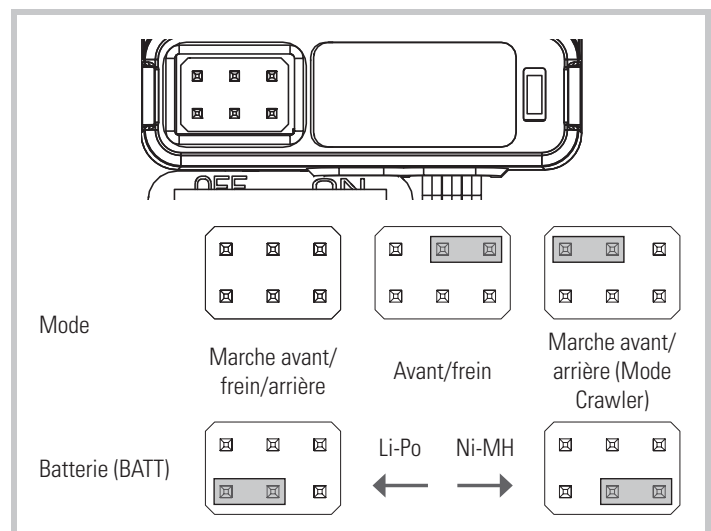
Le contrôleur est livré par défaut avec 2 cavaliers installés: Mode Marche avant/Frein et batterie Li-Po.

Pour changer de Mode ou de type de batterie:

- Mettez le contrôleur hors tension.
- Déconnectez les cavaliers et placez les dans les positions des options souhaitées.
- Mettez le contrôleur sous tension.

Si les cavaliers sont perdu ou non-connectés, le contrôleur sera par défaut en Mode Marche avant/frein/arrière et batterie Li-Po.

ATTENTION: Ne connectez pas la prise d'affectation ou des prises de servo aux plots de programmation du contrôleur. Risque d'endommager le contrôleur et ou les composants.



MOTEUR À BALAIS DYNAMITE 35T CLASSE 540 (DYNS1216) //////////////////////////////////////

PRÉCAUTIONS

- » Ne touchez jamais les parties en mouvement.
- » Ne démontez jamais le moteur quand la batterie est installée.
- » Laissez toujours refroidir avant de manipuler.

TRANSMISSION

Votre véhicule est équipé du rapport de transmission idéal pour une utilisation en configuration d'origine. Il offre l'équilibre idéal entre la vitesse, la puissance et l'autonomie. Si vous décidez de modifier votre véhicule en utilisant des batteries ou des moteurs optionnels, il sera probablement nécessaire de changer le pignon ou la couronne.

L'installation d'un pignon comportant moins de dents ou d'une couronne comportant plus de dents entraînera une augmentation du couple mais réduira la vitesse de pointe. Naturellement, l'installation d'un pignon comportant plus de dents ou d'une couronne en comportant moins entraînera une réduction du couple mais augmentera la vitesse de pointe. Une attention particulière devra être appliquée quand vous installez des pignons comportant un nombre de dents supérieur, il y a un risque de "trop rallonger" la transmission, ce qui pourrait entraîner une surchauffe du contrôleur et du moteur. Quand vous essayez différents rapports de transmission, surveillez la température du moteur et du contrôleur pour être certain d'être dans la plage des températures de fonctionnement. Le moteur et le contrôleur ne doivent pas atteindre une température où il ne peuvent plus être touchés. Si les températures sont trop élevées, nous vous recommandons d'essayer d'autres rapports de transmission avec des pignons plus petits ou des couronnes plus grandes.

CHANGEMENT DU RAPPORT DE TRANSMISSION

Les instructions suivantes sont destinées au changement d'un pignon usé. Si vous changez la taille du pignon, veuillez vous référer à la section "Réglage de l'entre-dent".

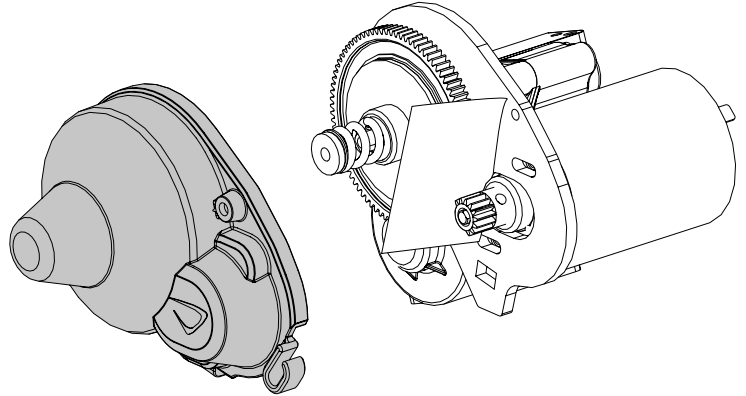
1. Retirez le carter de transmission.
2. Desserrez la vis du pignon pour retirer le pignon installé.
3. Desserrez les vis du moteur et faites glisser le moteur.
4. Placez le nouveau pignon à l'extrémité de l'axe moteur afin que la vis de montage se trouve sur la zone plate de l'axe.

Positionnez les dents du pignon afin qu'elles soient alignées avec la couronne et fixez le pignon sur l'axe moteur en serrant la vis.

RÉGLAGE DE L'ENTRE-DENT

L'entre-dent a déjà été réglé en usine. Un changement de réglage est uniquement nécessaire lorsque vous changez de moteur, de pignon ou de couronne.

Le réglage de l'entre-dent est très important pour les performances de votre véhicule. Lorsque l'entre-dent est trop lâche, la couronne pourrait être endommagée par le pignon du moteur. Si l'entre-dent est trop serré, la vitesse risque d'être limitée et le moteur et le contrôleur surchaufferont.



1. Retirez le carter de transmission.
2. Desserrez les vis moteur et faites glisser le moteur.
3. Placez un petit morceau de papier entre le pignon et la couronne.
4. Plaquez le pignon et la couronne l'un contre l'autre en appuyant de manière raisonnable et maintenez en place en serrant les vis moteur.
5. Retirez le morceau de papier. Vérifiez l'entre-dent à 3-5 endroits différents sur la couronne.

REMARQUE: Si vous utilisez un pignon 16T avec une batterie Li-Po 3S, vous risquez fortement d'endommager le véhicule, le contrôleur et/ou le moteur.

GUIDE DE DÉPANNAGE //////////////////////////////////////

PROBLÈME	CAUSE POSSIBLE	SOLUTION
Le véhicule ne fonctionne pas	Batterie déchargée ou débranchée	Chargez la batterie ou branchez la
	L'interrupteur du contrôleur n'est pas en position "ON"	Mettez l'interrupteur sur "ON"
	L'émetteur n'est pas sous tension ou la batterie est faible	Mettez l'émetteur sous tension ou chargez la batterie
Le moteur tourne mais les roues ne sont pas entraînées	Le pignon n'entraîne pas la couronne	Réglez l'entre-dents
	Le pignon tourne sur l'axe moteur	Resserrez la vis du pignon sur le méplat de l'axe moteur
	Dents de pignons abîmées	Remplacez les pignons
	Goupille cassée	Contrôlez et remplacez la goupille
La direction ne fonctionne pas	Le servo n'est pas correctement branché	Vérifiez que la prise du servo est bien connectée à la voie de direction, et que la polarité est correcte
	Les pignons ou le moteur du servo sont endommagés	Remplacez ou réparez le servo
Ne tourne que dans une direction	Les pignons du servo sont endommagés	Remplacez ou réparez le servo
Le moteur ne fonctionne pas	Un câble du moteur est dessoudé	Ressoudez le câble à l'aide de matériel adapté
	Un câble est endommagé	Réparez ou remplacez le câble
	Le contrôleur est endommagé	Contactez le service client Horizon Hobby
Le contrôleur chauffe	Le rapport de transmission n'est pas adapté	Utilisez un pignon plus petit ou une couronne plus grande
	Transmission non libre	Contrôlez la transmission afin de trouver la cause du blocage
Faible autonomie	La batterie n'est pas totalement chargée	Rechargez la batterie
	Le chargeur n'effectue pas la charge complète	Utilisez un autre chargeur
	Transmission non libre	Contrôlez la transmission afin de trouver la cause du blocage
Portée limitée	Piles de l'émetteur trop faibles	Contrôlez et remplacez
	Batterie du véhicule trop faible	Rechargez la batterie
	Mauvais contacts	Contrôlez toutes les connexions

GARANTIE ET RÉPARATIONS

Durée de la garantie

Garantie exclusive – Horizon Hobby, LLC (Horizon) garantit que le Produit acheté (le « Produit ») sera exempt de défauts matériels et de fabrication à sa date d'achat par l'Acheteur. La durée de garantie correspond aux dispositions légales du pays dans lequel le produit a été acquis. La durée de garantie est de 6 mois et la durée d'obligation de garantie de 18 mois à l'expiration de la période de garantie.

Limitations de la garantie

(a) La garantie est donnée à l'acheteur initial (« Acheteur ») et n'est pas transférable. Le recours de l'acheteur consiste en la réparation ou en l'échange dans le cadre de cette garantie. La garantie s'applique uniquement aux produits achetés chez un revendeur Horizon agréé. Les ventes faites à des tiers ne sont pas couvertes par cette garantie. Les revendications en garantie seront acceptées sur fourniture d'une preuve d'achat valide uniquement. Horizon se réserve le droit de modifier les dispositions de la présente garantie sans avis préalable et révoque alors les dispositions de garantie existantes.

(b) Horizon n'endosse aucune garantie quant à la vendabilité du produit ou aux capacités et à la forme physique de l'utilisateur pour une utilisation donnée du produit. Il est de la seule responsabilité de l'acheteur de vérifier si le produit correspond à ses capacités et à l'utilisation prévue.

(c) Recours de l'acheteur – Il est de la seule discrétion d'Horizon de déterminer si un produit présentant un cas de garantie sera réparé ou échangé. Ce sont là les recours exclusifs de l'acheteur lorsqu'un défaut est constaté.

Horizon se réserve la possibilité de vérifier tous les éléments utilisés et susceptibles d'être intégrés dans le cas de garantie. La décision de réparer ou de remplacer le produit est du seul ressort d'Horizon. La garantie exclut les défauts esthétiques ou les défauts provoqués par des cas de force majeure, une manipulation incorrecte du produit, une utilisation incorrecte ou commerciale de ce dernier ou encore des modifications de quelque nature qu'elles soient.

La garantie ne couvre pas les dégâts résultant d'un montage ou d'une manipulation erronés, d'accidents ou encore du fonctionnement ainsi que des tentatives d'entretien ou de réparation non effectuées par Horizon. Les retours effectués par le fait de l'acheteur directement à Horizon ou à l'une de ses représentations nationales requièrent une confirmation écrite.

Limitation des dommages

Horizon ne saurait être tenu pour responsable de dommages conséquents directs ou indirects, de pertes de revenus ou de pertes commerciales, liés de quelque manière que ce soit au produit et ce, indépendamment du fait qu'un recours puisse être formulé en relation avec un contrat, la garantie ou l'obligation de garantie. Par ailleurs, Horizon n'acceptera pas de recours issus d'un cas de garantie lorsque ces recours dépassent la valeur unitaire du produit. Horizon n'exerce aucune influence sur le montage, l'utilisation ou la maintenance du produit ou sur d'éventuelles combinaisons de produits choisies par l'acheteur. Horizon ne prend en compte aucune garantie et n'accepte aucun recours pour les blessures ou les dommages pouvant en résulter. Horizon Hobby ne saurait être tenu responsable d'une utilisation ne respectant pas les lois, les règles ou réglementations en vigueur. En utilisant et en montant le produit, l'acheteur accepte sans restriction ni réserve toutes les dispositions relatives à la garantie figurant dans le présent document. Si vous n'êtes pas prêt, en tant qu'acheteur, à accepter ces dispositions en relation avec l'utilisation du produit, nous vous demandons de restituer au vendeur le produit complet, non utilisé et dans son emballage d'origine.

Indications relatives à la sécurité

Ceci est un produit de loisirs perfectionné et non un jouet. Il doit être utilisé avec précaution et bon sens et nécessite quelques aptitudes mécaniques ainsi que mentales. L'incapacité à utiliser le produit de manière sûre et raisonnable peut provoquer des blessures et des dégâts matériels conséquents. Ce produit n'est pas destiné à être utilisé par des enfants sans la surveillance par un tuteur. La notice d'utilisation contient des indications relatives à la sécurité ainsi que des indications concernant la maintenance et le fonctionnement du produit. Il est absolument indispensable de lire et de comprendre ces indications avant la première mise en service. C'est uniquement ainsi qu'il sera possible d'éviter une manipulation erronée et des accidents entraînant des blessures et des dégâts. Horizon Hobby ne saurait être tenu responsable d'une utilisation ne respectant pas les lois, les règles ou réglementations en vigueur.

Questions, assistance et réparations

Votre revendeur spécialisé local et le point de vente ne peuvent effectuer une estimation d'éligibilité à l'application de la garantie sans avoir consulté Horizon. Cela vaut également pour les réparations sous garantie. Vous voudrez bien, dans un tel cas, contacter le revendeur qui conviendra avec Horizon d'une décision appropriée, destinée à vous aider le plus rapidement possible.

Maintenance et réparation

Si votre produit doit faire l'objet d'une maintenance ou d'une réparation, adressez-vous soit à votre revendeur spécialisé, soit directement à Horizon. Emballez le produit soigneusement. Veuillez noter que le carton d'emballage d'origine ne suffit pas, en règle générale, à protéger le produit des dégâts pouvant survenir pendant le transport. Faites appel à un service de messagerie proposant une fonction de suivi et une assurance, puisque Horizon ne prend aucune responsabilité pour l'expédition du produit jusqu'à sa réception acceptée. Veuillez joindre une preuve d'achat, une description détaillée des défauts ainsi qu'une liste de tous les éléments distincts envoyés. Nous avons de plus besoin d'une adresse complète, d'un numéro de téléphone (pour demander des renseignements) et d'une adresse de courriel.

Garantie et réparations

Les demandes en garantie seront uniquement traitées en présence d'une preuve d'achat originale émanant d'un revendeur spécialisé agréé, sur laquelle figurent le nom de l'acheteur ainsi que la date d'achat. Si le cas de garantie est confirmé, le produit sera réparé. Cette décision relève uniquement de Horizon Hobby.

Réparations payantes

En cas de réparation payante, nous établissons un devis que nous transmettons à votre revendeur. La réparation sera seulement effectuée après que nous ayons reçu la confirmation du revendeur. Le prix de la réparation devra être acquitté au revendeur. Pour les réparations payantes, nous facturons au minimum 30 minutes de travail en atelier ainsi que les frais de réexpédition. En l'absence d'un accord pour la réparation dans un délai de 90 jours, nous nous réservons la possibilité de détruire le produit ou de l'utiliser autrement.



ATTENTION: Nous n'effectuons de réparations payantes que pour les composants électroniques et les moteurs. Les réparations touchant à la mécanique, en particulier celles des hélicoptères et des voitures radiocommandées, sont extrêmement coûteuses et doivent par conséquent être effectuées par l'acheteur lui-même.

10/15

Coordonnées de Garantie et réparations

Pays d'achat	Horizon Hobby	Numéro de téléphone/E-mail	Adresse
France	Service/Parts/Sales: Horizon Hobby SAS	infofrance@horizonhobby.com +33 (0) 1 60 18 34 90	11 Rue Georges Charpak 77127 Lieusaint, France

Information de IC

Le présent appareil est conforme aux CNR d'Industrie Canada applicables aux appareils radio exempts de licence. L'exploitation est autorisée aux deux conditions suivantes : (1) l'appareil ne doit pas produire de brouillage, et (2)

l'utilisateur de l'appareil doit accepter tout brouillage radioélectrique subi, même si le brouillage est susceptible d'en compromettre le fonctionnement.

CE Déclaration de conformité de l'Union européenne : Horizon Hobby, LLC déclare par la présente que ce produit est en conformité avec les exigences essentielles et les autres dispositions des directives RTTE, CEM, et LVD. Une copie de la déclaration de conformité européenne est disponible à : <http://www.horizonhobby.com/content/support-render-compliance>.



Élimination dans l'Union européenne

Ce produit ne doit pas être éliminé avec les ordures ménagères. Il est de la responsabilité de l'utilisateur de remettre le produit à un point de collecte officiel des déchets d'équipements électriques. Cette procédure permet de garantir le respect de l'environnement et l'absence de sollicitation excessive des ressources naturelles. Elle protège de plus le bien-être de la communauté humaine. Pour plus d'informations quant aux lieux d'éliminations des déchets d'équipements électriques, vous pouvez contacter votre mairie ou le service local de traitement des ordures ménagères.

AVVISO

Tutte le istruzioni, le garanzie e gli altri documenti pertinenti sono soggetti a cambiamenti a totale discrezione di Horizon Hobby, LLC. Per una documentazione aggiornata sul prodotto, visitare il sito horizonhobby.com e fare clic sulla sezione Support del prodotto.

CONVENZIONI TERMINOLOGICHE

Nella documentazione relativa al prodotto vengono utilizzati i seguenti termini per indicare i vari livelli di pericolo potenziale durante l'uso del prodotto:

AVVISO: Indica procedure che, se non debitamente seguite, possono determinare il rischio di danni alle cose E il rischio minimo o nullo di lesioni alle persone.

ATTENZIONE: Indica procedure che, se non debitamente seguite, determinano il rischio di danni alle cose E di gravi lesioni alle persone.

AVVERTENZA: Indica procedure che, se non debitamente seguite, determinano il rischio di danni alle cose, danni collaterali e gravi lesioni alle persone O il rischio elevato di lesioni superficiali alle persone.

AVVERTENZA: leggere TUTTO il manuale di istruzioni e familiarizzare con le caratteristiche del prodotto prima di farlo funzionare. Un uso improprio del prodotto può causare danni al prodotto stesso e alle altre cose e gravi lesioni alle persone.

Questo modello è un prodotto sofisticato per appassionati di modellismo. Deve essere azionato in maniera attenta e responsabile e richiede alcune conoscenze basilari di meccanica. L'uso improprio o irresponsabile di questo prodotto può causare lesioni alle persone e danni al prodotto stesso o alle altre cose. Questo prodotto non deve essere utilizzato dai bambini senza la diretta supervisione di un adulto. Non tentare di smontare, utilizzare componenti incompatibili o modificare il prodotto in nessun caso senza previa approvazione di Horizon Hobby, LLC. Questo manuale contiene le istruzioni per la sicurezza, l'uso e la manutenzione del prodotto. È fondamentale leggere e seguire tutte le istruzioni e le avvertenze del manuale prima di montare, impostare o utilizzare il prodotto, al fine di utilizzarlo correttamente e di evitare di causare danni alle cose o gravi lesioni alle persone.

AVVERTENZA CONTRO PRODOTTI CONTRAFFATTI Acquistate sempre da rivenditori autorizzati Horizon Hobby per essere certi di avere prodotti originali Spektrum di alta qualità. Horizon Hobby rifiuta qualsiasi supporto o garanzia riguardo, ma non limitato a, compatibilità e prestazioni di prodotti contraffatti o che dichiarano compatibilità con DSM o Spektrum.

Limite minimo di età consigliato: Almeno 14 anni. Non è un giocattolo.

PRECAUZIONI PER LA SICUREZZA E AVVERTIMENTI //////////////////////////////////////

L'utente di questo prodotto è l'unico responsabile del corretto utilizzo del medesimo in maniera che non sia pericoloso, sia nei propri riguardi che nei confronti di terzi e non danneggi il prodotto stesso o altrui proprietà.

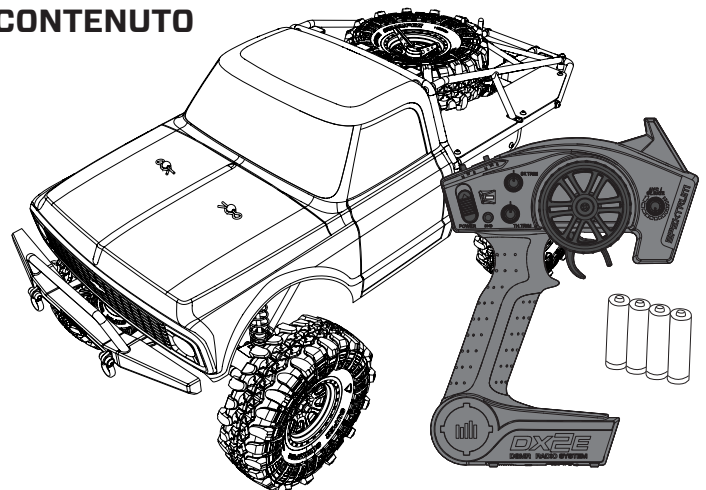
Questo modello è controllato da un segnale radio potenzialmente soggetto a interferenze da molte fonti che non potete controllare. Queste interferenze possono generare momentanee perdite di controllo del modello, quindi è consigliabile mantenere sempre una certa distanza di sicurezza in ogni direzione, poichè questo può aiutare ad evitare urti o infortuni.

- » Non utilizzare mai il modello con batterie scariche.
- » Utilizzate sempre il modello in zone ampie, sgombre da persone, macchine e traffico.
- » Non utilizzate mai il modello in strade aperte al traffico o in luoghi affollati.
- » Seguite attentamente le avvertenze d'uso di questo modello e di ogni altro accessorio (caricabatterie, batterie ricaricabili ecc.).

- » Tenete qualsiasi prodotto chimico o elettrico al di fuori della portata dei bambini.
- » Non leccate o ingerite alcun pezzo del modello perchè questo può causare infortuni seri, o addirittura la morte.
- » Utilizzate sempre con attenzione attrezzi e oggetti affilati.
- » Prestare attenzione durante la costruzione perchè alcune parti potrebbero avere degli spigoli vivi.
- » Subito dopo l'uso NON toccate componenti del modello quali motore, variatore elettronico o la batteria, perchè si scaldano molto durante il funzionamento. Toccandoli potreste scottarvi.
- » Non infilate le dita tra gli ingranaggi del modello o altre parti in rotazione o movimento, poichè questo può causare danni o infortuni gravi.
- » Accendete sempre prima la trasmittente e poi la ricevente sul modello. Invece spegnete sempre prima la ricevente e poi la trasmittente.
- » Sollevate le ruote del modello da terra quando controllate il corretto funzionamento dell'apparato radio.

INDICE

CONTENUTO.....	24
VEICOLO RESISTENTE ALL'ACQUA CON ELETTRONICA IMPERMEABILE	25
AVVIO RAPIDO.....	25
CARICA DELLA BATTERIA	25
METTERE LA BATTERIA	26
SISTEMA RADIO SPEKTRUM DX2E.....	26
SPMSR310 RICEVITORE.....	26
INSTALLARE LE PILE DEL TRASMETTITORE.....	26
CALIBRAZIONE DEL RICEVITORE	27
PRECAUZIONI NELLA GUIDA	27
ACCENSIONE DEL VEICOLO.....	27
PRIMA DI USARE IL VEICOLO.....	27
TEMPO DI UTILIZZO.....	27
CAMBIARE I PARAMETRI DI REGOLAZIONE DELLA CORSA.....	27
ESEGUIRE UN CONTROLLO DELLA DIREZIONE DEI COMANDI	28
ESC IMPERMEABILE PER MOTORI A SPAZZOLE DYNAMITE 60A.....	28
MOTORE A SPAZZOLE DYNAMITE 540 35T	28
GUIDA ALLA RISOLUZIONE DEI PROBLEMI	29
GARANZIA	30
GARANZIA E ASSISTENZA INFORMAZIONI PER I CONTATTI	30
DICHIARAZIONE DI CONFORMITÀ EU	30
ELENCO DEI RICAMBI.....	31-32
PEZZI OPZIONALI.....	32
VISTA ESPLOSA DELLE PARTI	33-39

CONTENUTO**REGISTRATE ONLINE IL VOSTRO PRODOTTO VATERRA**

Registrate ora il vostro veicolo per essere i primi ad essere informati sugli ultimi aggiornamenti, accessori, ecc. Cliccate sulla linguetta Support in WWW.LOSI.COM e seguite il link per la registrazione del prodotto.

COMPONENTI

- » Vatera® 1972 Chevrolet K10 Ascender 4WD RTR (VTR03090)
- » Spektrum DX2E trasmittente 2,4 GHz (SPM2330)
- » Spektrum ricevente DSMR AVC a 3 canali
- » Spektrum servocomando resistente all'acqua, 9 kg, 23T (SPMS605)
- » Dynamite® 60A ESC brushed resistente all'acqua senza sensori (DYNS2210)
- » Dynamite® 540 motore brushed 35T (DYNS1216)
- » 4 batterie AA (per trasmittente)

VEICOLO RESISTENTE ALL'ACQUA CON ELETTRONICA IMPERMEABILE //////////////////////////////////////

Il vostro nuovo veicolo Horizon Hobby è stato progettato e costruito con una combinazione di componenti impermeabili e resistenti all'acqua, per consentirvi di utilizzare il prodotto in molte situazioni "umide," incluse pozze, ruscelli, erba bagnata, neve e anche pioggia.

Sebbene tutto il veicolo sia altamente resistente all'acqua, tuttavia non è completamente impermeabile e NON si può trattare come fosse un sottomarino. I vari componenti elettronici usati sul veicolo, come il regolatore elettronico di velocità (ESC), i servi e il ricevitore, sono impermeabili, però molti dei componenti meccanici sono solo resistenti all'acqua e non si possono immergere.

Le parti metalliche, inclusi i cuscinetti, le cerniere, viti e dadi, come pure i contatti sui cavi elettrici, sono suscettibili di corrosione se non si fa una particolare manutenzione dopo l'uso sul bagnato. Per prolungare al massimo le prestazioni nel tempo e tenere valida la garanzia, le procedure descritte nella sezione "Manutenzione in condizioni umide," si devono applicare regolarmente se si sceglie di correre sul bagnato. Se non siete disposti ad eseguire questa manutenzione aggiuntiva, allora dovete evitare di utilizzare il veicolo in queste condizioni.

ATTENZIONE: L'uso incauto di questo prodotto o il mancato rispetto delle seguenti precauzioni può portare ad un malfunzionamento del prodotto e/o invalidare la garanzia.

PRECAUZIONI GENERALI

- » Leggete attentamente le procedure di manutenzione del vostro veicolo in condizioni umide, per essere sicuri di avere tutte le attrezzature necessarie per questo scopo.
- » Non tutte le batterie si possono usare in condizioni di umidità. Consultate il costruttore delle batterie prima di utilizzarle. Bisogna avere cautela quando si usano le batterie Li-Po in condizioni di bagnato.
- » Molti trasmettitori non sono resistenti all'acqua. Consultate i relativi manuali o il costruttore prima dell'utilizzo.
- » Non utilizzate mai il vostro trasmettitore o il veicolo quando ci sono lampi.
- » Non utilizzate il vostro veicolo quando c'è il rischio che entri in contatto con acqua salata (acqua marina o acqua proveniente da una strada su cui sia stato sparso del sale), acqua contaminata o inquinata. L'acqua salata è molto conduttiva e altamente corrosiva, perciò bisogna usare molta cautela.
- » Anche il minimo contatto con l'acqua potrebbe ridurre la vita del vostro motore se non è stato certificato come impermeabile o resistente

all'acqua. Se dovesse essere troppo umido, accelerate poco finché l'acqua non viene rimossa dal motore. Far girare forte un motore bagnato potrebbe danneggiarlo rapidamente.

- » Guidare sul bagnato può ridurre la vita del motore. La resistenza aggiuntiva in queste condizioni causa uno sforzo eccessivo. Modificate il rapporto di riduzione diminuendo il pignone o aumentando la corona. Questo aumenta la coppia (e la vita del motore) quando si utilizza il veicolo nel fango, in pozzanghere profonde o qualsiasi altra situazione in cui l'umidità possa aumentare il carico del motore per lungo tempo.

MANUTENZIONE IN CONDIZIONI UMIDE

- » Scaricare l'acqua raccolta negli pneumatici facendoli girare ad alta velocità. Togliere la carrozzeria e rovesciare il veicolo, poi dare alcune brevi accelerate finché l'acqua non viene rimossa.

ATTENZIONE: Durante l'operazione precedente, tenere sempre lontano dalle parti rotanti mani, dita, attrezzi o altri oggetti liberi di muoversi.

- » Togliere la batteria ed asciugarne i contatti. Se avete un compressore o una bombola di aria compressa, soffiare via l'eventuale acqua rimasta all'interno del connettore.
- » Smontate le ruote/gomme dal veicolo e risciacquatele con attenzione per togliere il fango e la polvere usando un getto di acqua. Evitate di risciacquare i cuscinetti e la trasmissione.

AVVISO: Non usare acqua sotto pressione per pulire il vostro veicolo.

- » Usate un compressore o una bombola di aria compressa per asciugare il veicolo e togliere i residui di acqua eventualmente rimasti nelle piccole fessure e negli angoli.
- » Spruzzare un olio impermeabilizzante o un lubrificante su cuscinetti, elementi di fissaggio e altre parti metalliche. Non spruzzare sul motore.
- » Lasciate che il veicolo si asciughi all'aria prima di riparlo. L'acqua (e l'olio) continuerà a sgocciolare per alcune ore.
- » Smontate il veicolo più di frequente, ispezionando e lubrificando le parti seguenti:
 - I cuscinetti dei mozzi sugli assi anteriore e posteriore.
 - Tutte le scatole di trasmissione, ingranaggi e differenziali.
 - Pulite il motore con un adatto prodotto aerosol e rilubrificate le boccole con olio leggero per motore.

AVVIO RAPIDO //////////////////////////////////////

Si prega di leggere tutto il manuale per conoscere completamente il veicolo Chevy K10 Ascender per poterlo mettere a punto e fargli la manutenzione.

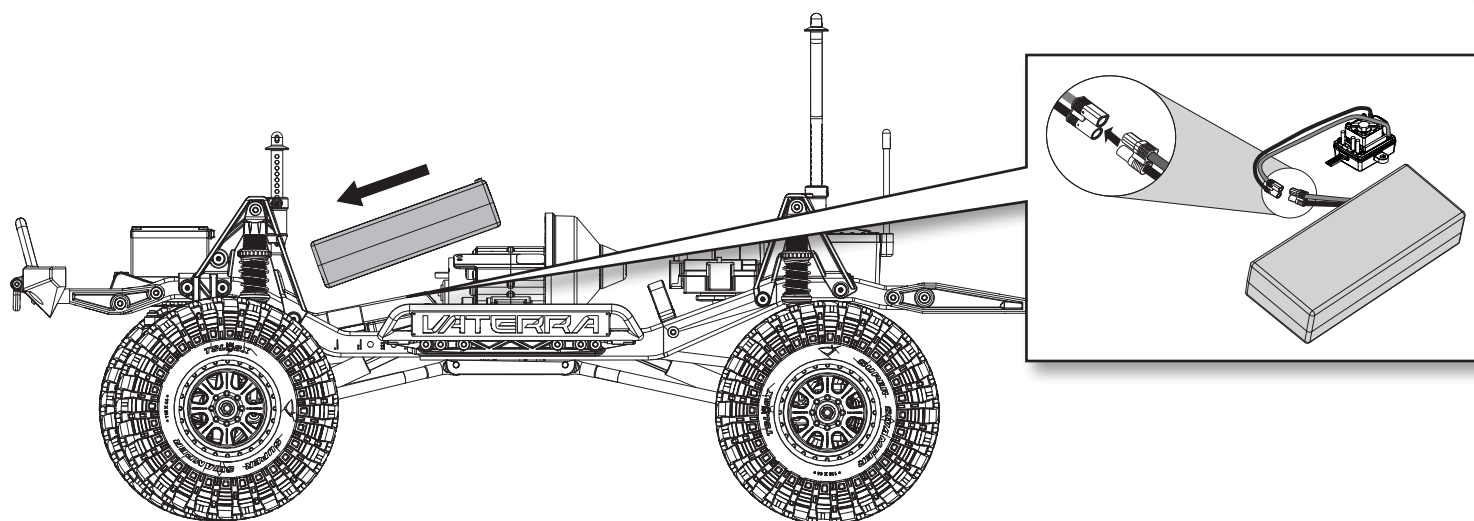
1. Leggere le precauzioni per la sicurezza che si trovano in questo manuale.
2. Caricare la batteria del veicolo. Fare riferimento alle avvertenze per la carica e a tutte le informazioni riguardanti la carica, comprese in questo manuale.
3. Installare nel trasmettitore le pile AA. Usare solo pile alcaline o batterie ricaricabili.
4. Montare sul veicolo la batteria completamente carica.
5. Accendere il trasmettitore e poi il veicolo. Aspettare 5 secondi in modo che l'ESC possa inicializzarsi. Accendere sempre il trasmettitore prima del veicolo e spegnerlo dopo aver spento il veicolo.
6. Verificare che i comandi e i servi che li controllano si muovano nella giusta direzione.
7. Guidare il veicolo.
8. Eseguire tutte le manutenzioni necessarie.

CARICA DELLA BATTERIA //////////////////////////////////////

Scegliere una batteria compatibile con il Dynamite® 60A impermeabile per motori a spazzole ESC (DYNS2210) senza sensori. Consigliamo la batteria LiPo Dynamite® Reaction® 7,4V 4000mAh 2S 50C: contenitore rigido con connettore EC3 (DYNB3800EC). Scegliere un caricabatteria

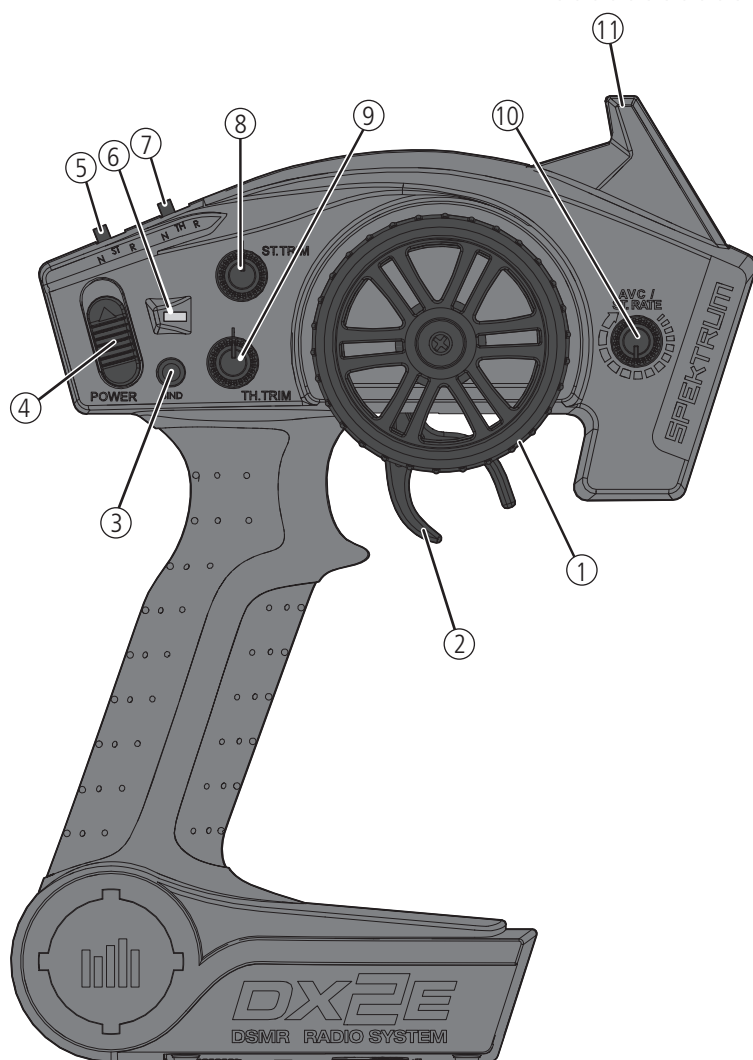
adatto alle batterie Li-Po 2S. Noi consigliamo il Dynamite® Prophet Sport Li-Po 35W AC (DYNC2005CA). Fare riferimento al manuale della vostra batteria e del vostro caricabatteria per istruzioni sull'utilizzo, sulla sicurezza e sulla carica.

METTERE LA BATTERIA



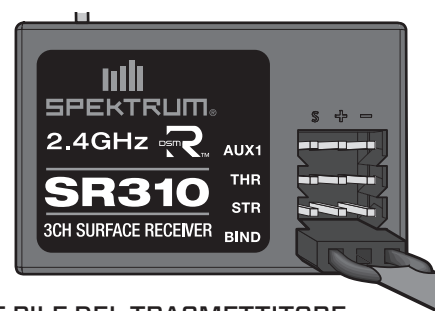
1. Accertarsi che l'ESC sia spento.
2. Allentare il nastro a strappo che si trova sul supporto della batteria e installare sul veicolo una batteria completamente carica.
3. Fissare la batteria al suo supporto usando il nastro a strappo.
4. Collegare la batteria all'ESC.
5. Accendere il trasmettitore e attendere 5 secondi.
6. Accendere l'ESC.

SISTEMA RADIO SPEKTRUM DX2E



1. **Volantino** Controlla la direzione (destra/sinistra/indietro) del modello
2. **Grilletto** Comando motore controlla la velocità e il senso di marcia del modello
3. **Tasto BIND** Mette il trasmettitore in modalità connessione (bind)
4. **Interruttore ON/OFF** Accende o spegne il trasmettitore
5. **ST. REV** Inverte il movimento dello sterzo da destra a sinistra e viceversa
6. **Luci di indicazione**
 - **La luce verde fissa**—Indica che la batteria fornisce un'alimentazione adeguata
 - **La luce verde lampeggiante**—Segnala che la batteria è quasi scarica e che conviene sostituirla
7. **TH. REV** Inverte la funzione del regolatore avanti/indietro e viceversa
8. **ST Trim** Regola il punto centrale dello sterzo
9. **TH Trim** Regola il punto neutrale del motore
10. **ST Rate** Regola il valore di sensibilità sul ricevitore
11. **Antenna** Trasmette i segnali al modello

SPMSR310 RICEVITORE



INSTALLARE LE PILE DEL TRASMETTITORE

1. Premere leggermente il coperchio delle pile per sganciarlo e toglierlo.
2. Inserire 4 pile AA facendo attenzione a rispettare le polarità indicate nel portapile.
3. Rimettere a posto il coperchio facendo attenzione a inserirlo correttamente nelle sue guide.

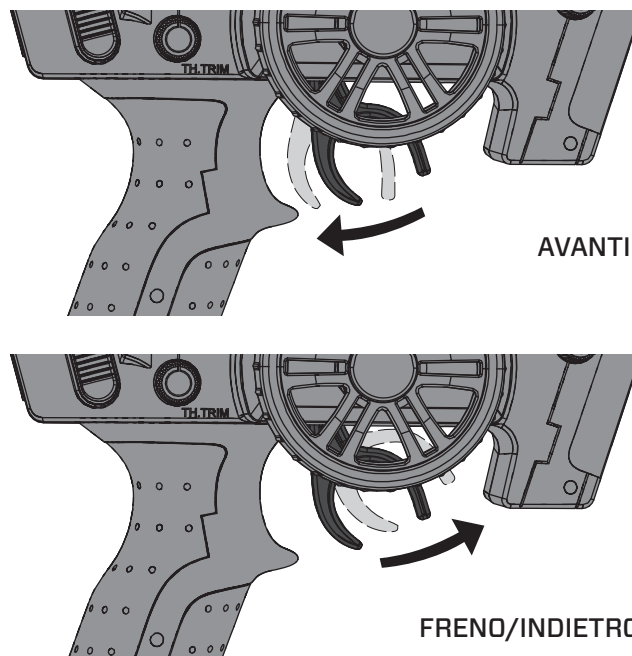
⚠ ATTENZIONE: si raccomanda di ricaricare solo le batterie ricaricabili e non le pile alcaline, perché queste ultime si surriscaldano e potrebbero incendiarsi e scoppiare con evidenti danni e lesioni.

⚠ ATTENZIONE: se le batterie vengono sostituite con tipi non adatti, potrebbero esplodere. Le batterie si devono smaltire nel modo corretto secondo le disposizioni locali.

Per maggiori informazioni sul trasmettitore, visitare il sito www.horizonhobby.com facendo clic sul tab Support del radiocomando Spektrum DX2E per scaricare il manuale di istruzioni.

CALIBRAZIONE DEL RICEVITORE

1. Posare il veicolo su di una superficie piana e livellata ed inserire il connettore "bind plug" nella porta BIND del ricevitore.
2. Collegare all'ESC una batteria completamente carica.
3. Accendere l'ESC. Il LED arancio lampeggia, indicando che il ricevitore è in modalità "bind."
4. Centrare i pommelli ST TRIM e TH TRIM sul trasmettitore.
5. Tenere premuto il tasto BIND mentre si accende il trasmettitore.
6. Quando il LED arancio lampeggia lentamente, rilasciare il tasto BIND. Quando il LED arancio diventa fisso, significa che trasmettitore e ricevitore sono connessi.
7. Tirare il grilletto del trasmettitore portando il motore al massimo.
8. Spingere il grilletto del trasmettitore portando il freno al massimo. Poi riportare il grilletto al centro.
9. Portare il volantino del trasmettitore completamente a destra.
10. Portare il volantino del trasmettitore completamente a sinistra. Poi riportare il volantino al centro. Il LED arancio lampeggia una volta.
11. Togliere il "bind plug," poi spegnere il ricevitore per salvare le impostazioni.
12. Spegnere il trasmettitore.



PRECAUZIONI NELLA GUIDA

- » Durante la guida mantenere sempre il veicolo bene in vista.
- » Periodicamente ispezionare bene il veicolo per controllare eventuali viti allentate.
- » Periodicamente ispezionare bene il gruppo dello sterzo per verificare i giochi. La guida in fuori strada è fonte di colpi e vibrazioni.
- » Non mandare il veicolo nell'erba alta, perché si potrebbe danneggiare sia la parte meccanica che quella elettronica.
- » Smettere di guidare quando si nota una diminuzione di potenza. Quando la batteria si scarica il ricevitore smette di funzionare e si perde il controllo del veicolo con possibili danni al veicolo stesso o alle cose e persone circostanti. Questo tipo di danni non è coperto dalla garanzia.



ATTENZIONE: Se non si utilizza questo prodotto con attenzione e non si osservano le seguenti avvertenze, potrebbero verificarsi malfunzionamenti, problemi elettrici, eccessivo sviluppo di calore, incendi e, in definitiva, lesioni e danni materiali.

- » Non comandare avanti o indietro il veicolo se è bloccato, altrimenti si potrebbe danneggiare sia il motore che il regolatore.
- » Dopo aver usato il veicolo per un certo periodo, attendere che le parti elettroniche si raffreddino prima di usarlo di nuovo.

IMPORTANTE: Tenere lontano i cavi da tutte le parti mobili.

ACCENSIONE DEL VEICOLO

1. Centrare i pommelli ST TRIM e TH TRIM sul trasmettitore.
2. Accendere il trasmettitore.
3. Togliere la carrozzeria dal veicolo.
4. Collegare all'ESC una batteria completamente carica.
5. Accendere l'ESC.

IMPORTANTE: Il veicolo DEVE restare immobile per almeno 5 secondi su di una superficie piana e livellata.

6. Installare di nuovo la carrozzeria sul veicolo.

PRIMA DI USARE IL VEICOLO

1. Verificare che tutto il sistema delle sospensioni si muova liberamente. Qualsiasi parte bloccata o frenata non permette al veicolo di dare le sue prestazioni migliori.
2. Caricare la batteria. Caricare sempre la batteria come dalle istruzioni allegate alla batteria o al caricabatterie.
3. Settare il trim dello sterzo. Seguire le istruzioni su come settare il trim/subtrim, in modo che il vostro veicolo viaggi dritto senza dover agire sul radiocomando.
4. Eseguire un controllo della direzione dei comandi.

TEMPO DI UTILIZZO

Il fattore più importante nel tempo di funzionamento è la capacità della batteria; più sono i mAh contenuti, maggiore sarà il tempo di utilizzo per ogni carica.

Anche le condizioni di una batteria hanno influenza sia sulla durata che sulla velocità. I connettori della batteria potrebbero scaldarsi durante il funzionamento. Le batterie perdono le loro caratteristiche man mano che si usano.

Ripetute partenze da fermo con accelerazioni violente, nel tempo possono danneggiare sia la batteria che i componenti elettronici. Le forti accelerazioni riducono anche il tempo di utilizzo per ogni singola ricarica.

PER MIGLIORARE LA DURATA DI FUNZIONAMENTO

- » Mantenere il veicolo sempre pulito e con una frequente manutenzione.
- » Favorire il flusso dell'aria sull'ESC e sul motore.
- » Cambiare gli ingranaggi per avere una riduzione più alta e diminuire le temperature delle parti elettroniche. Quindi usare un pignone più piccolo o una corona più grande per aumentare la riduzione.
- » Usare una batteria con maggiore capacità in mAh.
- » Usare un caricabatterie adatto alla batteria usata (consultare il proprio rivenditore per maggiori informazioni).

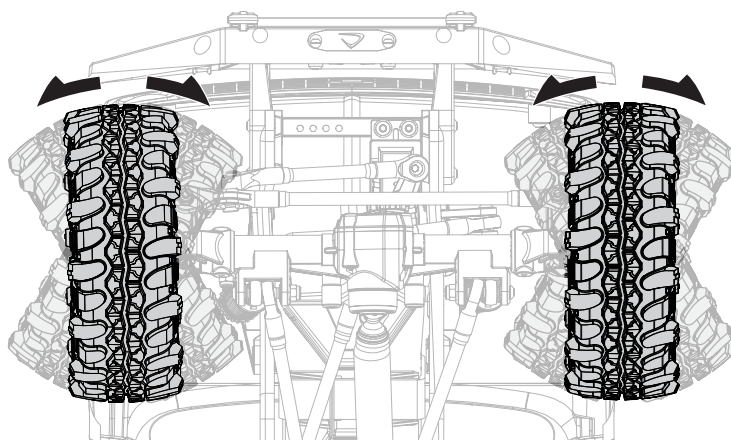
CAMBIARE I PARAMETRI DI REGOLAZIONE DELLA CORSA

1. Tenere il grilletto nella posizione di freno massimo e girare il volantino completamente a destra mentre si accende il trasmettitore. Il LED lampeggia rapidamente indicando che è attivo il modo programmazione.
2. Fine corsa motore: Mantenendo il motore al massimo, girare il pommello TH TRIM per regolare il fine corsa del motore al massimo.
3. Fine corsa freno: Mantenendo il grilletto nella posizione di freno massimo, girare il pommello TH TRIM per regolare il fine corsa del freno al massimo.
4. Fine corsa sterzo a sinistra: Mantenendo il volantino tutto a sinistra, girare il pommello ST TRIM per regolare il fine corsa dello sterzo a sinistra.
5. Fine corsa sterzo a destra: Mantenendo il volantino tutto a destra, girare il pommello ST TRIM per regolare il fine corsa dello sterzo a destra. Riportare il volantino al centro.
6. Spegnere il trasmettitore per salvare le regolazioni delle corse. La corsa minima è al 75%, quella massima al 150%.

IMPORTANTE: se la corsa viene cambiata sul DX2E, bisogna rifare la connessione e calibrare il ricevitore.

ESEGUIRE UN CONTROLLO DELLA DIREZIONE DEI COMANDI

Eseguire una verifica con le ruote del veicolo sollevate dal suolo. Se le ruote girano appena dopo che il veicolo è stato acceso, regolare il TH TRIM finché si fermano. Per far muovere le ruote in avanti, tirare il grilletto. Per invertire il moto, attendere che le ruote si fermano, poi spingere il grilletto. Quando si muovono in avanti, le ruote dovrebbero mantenere una linea diritta senza intervenire sullo sterzo. In caso contrario, regolare lo ST TRIM per correggere.



ESC IMPERMEABILE PER MOTORI A SPAZZOLE DYNAMITE® 60A (DYSN2210) //

DATI TECNICI

Tipo	Con spazzole
Corrente di picco/ Corrente costante	60A/360A
Resistenza interna	0,0008 Ohms
Funzioni	Avanti/Freno Reverse, Avanti/Freno, Avanti/Indietro (modalità Crawler)
Operazioni	Marche avant et arrière proportionnelles, frein temporisé, modalità Crawler
Tipo di batterie/Tensione di alimentazione	2 celle Li-Po/Li-Fe; 6-7celle Ni-MH/Ni-Cd
Tipo di motore	motori tipo 540/550 endbell chiuso: 2S Li-Po fino a 8T
Uscita BEC	5V/2A
Protezione sovraccarico	Termica
Dimensioni	35,6mm x 34mm x 18mm
Peso	40 g con i cavi
Connettore batteria	Tipo EC3
Connettore motore	Tipo 3,5mm Tamiya

CONDIZIONE DEI LED

- » Quando non c'è segnale dal comando motore tutti i LED dell'ESC sono spenti.
- » Il LED rosso si accende quando c'è un segnale proveniente dal comando motore.

TONI ACUSTICI DI AVVERTIMENTO

- Tensione ingresso:** quando viene acceso, l'ESC controlla la tensione di ingresso. Se viene riscontrato un problema sulla tensione, l'ESC emette continuamente 2 beep distanziati di un secondo (xx-xx-xx). Spegner l'ESC e accertarsi che le connessioni siano affidabili e che la carica della batteria non sia troppo bassa per operare con sicurezza.
- Collegamento radio:** quando viene acceso, l'ESC controlla il segnale radio. Se viene riscontrato un problema, l'ESC emette continuamente 1 beep a due secondi di distanza uno dall'altro (x-x-x). Spegner l'ESC e accertarsi che il sistema radio funzioni correttamente.

PROCEDURA DI CALIBRAZIONE DELL'ESC

Con la calibrazione si è certi che l'ESC lavori correttamente rispetto ai segnali provenienti dal trasmettitore.

- Spegner l'ESC.
- Accendere il trasmettitore verificando che il comando motore non sia invertito, il suo trim sia al centro e che la corsa sia al 100%. Disattivare le funzioni speciali come l'ABS, ecc.
- Accendere l'ESC tenendo il comando motore nel punto neutro.
- L'ESC calibra automaticamente la corsa del motore dopo 3 secondi.
- Quando l'ESC è pronto per funzionare, si sente un beep lungo.

FUNZIONI E MODI DELL'ESC

- Collegare il filo rosso (+) dell'ESC a quello rosso (+) del motore.
- Collegare il filo nero (-) dell'ESC a quello nero (-) del motore.

AVVISO: scollegare sempre la batteria dall'ESC quando si termina di usare il veicolo. L'interruttore dell'ESC controlla solo l'alimentazione del ricevitore e dei servi. L'ESC continua ad assorbire corrente e, se la batteria è collegata, si scarica troppo con possibile danneggiamento.

PROGRAMMAZIONE

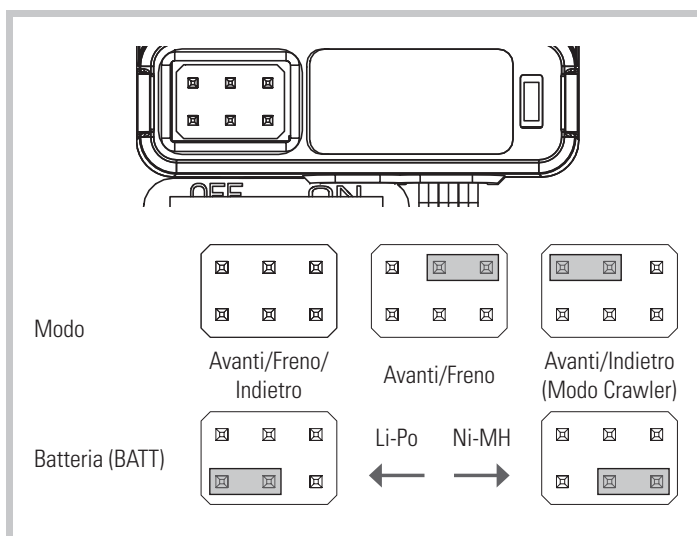
L'ESC viene fornito con due ponticelli già installati in MODE: F/B (avanti/freno) e BATT: configurazione Li-Po.

Per cambiare il modo in F/B/R (avanti/freno/indietro) o F/R (avanti/indietro) o cambiare il tipo di batteria in Ni-MH:

- Spegner l'ESC
- Scollegare il ponticello dalla porta di default e collegarlo a quella desiderata.
- Accendere l'ESC.

Se i ponticelli si sono persi o non sono installati, l'ESC andrà nel MODO di default: F/B/R e BATT: Li-Po.

ATTENZIONE: non collegare "bind plug" o fili servo nella presa di programmazione dell'ESC. In caso contrario si potrebbe danneggiare sia l'ESC che altri componenti.



MOTORE A SPAZZOLE DYNAMITE® 540 35T (DYNS1216) //

PRECAUZIONI

- » Non toccare mai le parti rotanti.
- » Non smontare con la batteria collegata.
- » Lasciarlo raffreddare prima di toccarlo.

RIDUTTORE

Questo veicolo viene fornito con la riduzione ottimizzata per la configurazione disponibile. Ha il bilanciamento ideale tra velocità, potenza ed efficienza. Se si vuole personalizzare il veicolo con batterie e motore opzionali, è necessario cambiare il pignone o la corona.

Montando un pignone con meno denti o una corona con più denti si avrà una coppia maggiore, ma la velocità massima viene ridotta. Allo stesso modo, aumentando i denti del pignone o riducendo quelli della corona si avrà meno coppia ma maggiore velocità. Bisogna fare attenzione quando si montano pignoni troppo grandi perché si potrebbe sovraccaricare sia motore che regolatore (ESC) con conseguente surriscaldamento di entrambi. Quindi, quando si provano varie combinazioni di corona e pignone, bisogna tenere sotto controllo la temperatura di motore e regolatore per essere certi che rimanga entro i valori sopportati. Sia motore che regolatore non devono essere troppo caldi da non poterli toccare. Se le temperature fossero troppo alte bisogna sostituire il pignone con uno più piccolo e/o la corona con una più grande.

CAMBIARE PIGNONE/RAPPORTO DI RIDUZIONE

Le seguenti istruzioni riguardano la sostituzione di un pignone usurato. Se invece si sta sostituendo il pignone per variare il rapporto di riduzione, si prega di fare riferimento al capitolo che riguarda il gioco degli ingranaggi

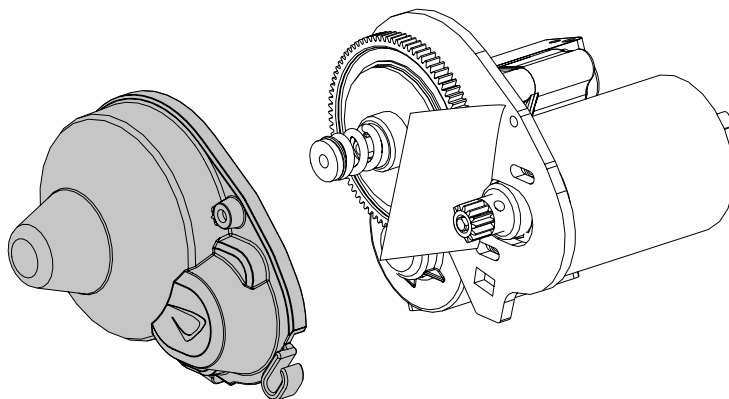
1. Togliere la copertura della corona.
2. Allentare il grano del pignone installato per rimuoverlo.
3. Allentare le viti del motore per farlo scorrere all'indietro.
4. Sistemare il nuovo pignone all'estremità dell'albero motore in modo che il grano corrisponda alla parte piatta dell'albero.

Allineare i denti del pignone con quelli della corona e stringere il grano sulla parte piatta dell'albero per fissare il pignone.

REGOLARE IL GIOCO DEGLI INGRANAGGI

Il gioco viene regolato in fabbrica. La sua regolazione è necessaria solo quando si cambiano i motori o gli ingranaggi.

Un gioco corretto (distanza tra i denti dei due ingranaggi) è importante per le prestazioni del veicolo. Quando si ha troppo gioco, il pignone potrebbe danneggiare la corona. Se invece il gioco è troppo stretto, si potrebbe avere una riduzione della velocità con surriscaldamento di motore ed ESC.



1. Togliere la copertura della corona.
2. Allentare le viti del motore per farlo scorrere all'indietro.
3. Mettere un piccolo pezzo di carta tra il pignone e la corona.
4. Avvicinare i due ingranaggi con una pressione moderata e tenerli in posizione mentre si stringono le viti del motore.
5. Togliere la carta. Verificare che il gioco resti costante in 3-5 punti diversi della corona.

NOTA: se si usa un pignone da 16 denti con batteria LiPo 3S, si avranno danni a veicolo, ESC e/o motore.

GUIDA ALLA RISOLUZIONE DEI PROBLEMI //

PROBLEMA	POSSIBILI CAUSE	SOLUZIONE
Il veicolo non funziona	Batteria scarica o scollegata	Caricare/collegare la batteria
	Interruttore ESC non su ON	Accendere ESC
	Trasmettitore spento o con batterie scariche	Accendere o sostituire le batterie
Il motore gira ma le ruote posteriori non girano	Il pignone non ingrana con la corona	Regolare il gioco tra pignone e corona
	Il pignone scivola sull'albero motore	Stringere il grano del pignone sulla zona piatta dell'albero
	Ingranaggi trasmissione sgranati	Sostituire gli ingranaggi della trasmissione
	Spinotto di trascinamento rotto	Sostituire lo spinotto
Lo sterzo non funziona	Il connettore del servo non è correttamente inserito nel ricevitore	Verificare che il connettore del servo sia inserito bene e nel canale giusto sul ricevitore
	Ingranaggi o motore del servo, danneggiati	Sostituire o riparare il servo
Non sterza in una direzione	Ingranaggi del servo danneggiati	Sostituire o riparare il servo
Il motore non gira	I fili del motore non sono saldati bene	Rifare la saldatura con l'attrezzatura giusta
	Fili del motore rotti	Riparare o sostituire se necessario
	Regolatore (ESC) danneggiato	Contattare l'assistenza Horizon Hobby
Il regolatore (ESC) si scalda	Ingranaggi sul motore con passo troppo lungo	Usare un pignone più piccolo o una corona più grande
	Trasmissione legata	Verificare eventuali legature sulle ruote o la trasmissione
Tempo di funzionamento scarso o accelerazione fiacca	Batteria non completamente carica	Ricaricare la batteria
	Il caricabatterie non fornisce una carica completa	Provare con un altro caricabatterie
	Trasmissione legata	Verificare eventuali legature sulle ruote o la trasmissione
Portata scarsa e/o disturbi	Batterie trasmettitore scariche	Verificare e sostituire
	Batteria del veicolo scarica	Ricaricare la batteria
	Connettori o fili allentati	Verificare tutti i fili e le connessioni

GARANZIA

Periodo di garanzia

Garanzia esclusiva - Horizon Hobby, LLC (Horizon) garantisce che il prodotto acquistato (il "Prodotto") sarà privo di difetti relativi ai materiali e di eventuali errori di montaggio alla data di acquisto. Il periodo di garanzia è conforme alle disposizioni legali del paese nel quale il prodotto è stato acquistato. Tale periodo di garanzia ammonta a 6 mesi e si estende ad altri 18 mesi dopo tale termine.

Limiti della garanzia

(a) La garanzia è limitata all'acquirente originale (Acquirente) e non è cedibile a terzi. L'acquirente ha il diritto a far riparare o a far sostituire la merce durante il periodo di questa garanzia. La garanzia copre solo quei prodotti acquistati presso un rivenditore autorizzato Horizon. Altre transazioni di terze parti non sono coperte da questa garanzia. La prova di acquisto è necessaria per far valere il diritto di garanzia. Inoltre, Horizon si riserva il diritto di cambiare o modificare i termini di questa garanzia senza alcun preavviso e di escludere tutte le altre garanzie già esistenti.

(b) Horizon non si assume alcuna garanzia per la disponibilità del prodotto, per l'adeguatezza o l'idoneità del prodotto a particolari previsti dall'utente. È sola responsabilità dell'acquirente il fatto di verificare se il prodotto è adatto agli scopi da lui previsti.

(c) Richiesta dell'acquirente - spetta soltanto a Horizon, a propria discrezione riparare o sostituire qualsiasi prodotto considerato difettoso e che rientra nei termini di garanzia. Queste sono le uniche rivalse a cui l'acquirente si può appellare, se un prodotto è difettoso.

Horizon si riserva il diritto di controllare qualsiasi componente utilizzato che viene coinvolto nella rivalsa di garanzia. Le decisioni relative alla sostituzione o alla riparazione sono a discrezione di Horizon. Questa garanzia non copre dei danni superficiali o danni per cause di forza maggiore, uso errato del prodotto, un utilizzo che viola qualsiasi legge, regolamentazione o disposizione applicabile, negligenza, uso ai fini commerciali, o una qualsiasi modifica a qualsiasi parte del prodotto.

Questa garanzia non copre danni dovuti ad un'installazione errata, ad un funzionamento errato, ad una manutenzione o un tentativo di riparazione non idonei a cura di soggetti diversi da Horizon. La restituzione del prodotto a cura dell'acquirente, o da un suo rappresentante, deve essere approvata per iscritto dalla Horizon.

Limiti di danno

Horizon non si riterrà responsabile per danni speciali, diretti, indiretti o consequenziali; perdita di profitto o di produzione; perdita commerciale connessa al prodotto, indipendentemente dal fatto che la richiesta si basa su un contratto o sulla garanzia. Inoltre la responsabilità di Horizon non supera mai in nessun caso il prezzo di acquisto del prodotto per il quale si chiede la responsabilità. Horizon non ha alcun controllo sul montaggio, sull'utilizzo o sulla manutenzione del prodotto o di combinazioni di vari prodotti. Quindi Horizon non accetta nessuna responsabilità per danni o lesioni derivanti da tali circostanze. Con l'utilizzo e il montaggio del prodotto l'utente acconsente a tutte le condizioni, limitazioni e riserve di garanzia citate in questa sede. Qualora l'utente non fosse pronto ad assumersi tale responsabilità associata all'uso del prodotto, si suggerisce di restituire il prodotto intatto, mai usato e immediatamente presso il venditore.

Indicazioni di sicurezza

Questo è un prodotto sofisticato di hobbistica e non è un giocattolo. Esso deve essere manipolato con cautela, con giudizio e richiede delle conoscenze basilari di meccanica e delle facoltà mentali di base. Se il prodotto non verrà manipolato in maniera sicura e responsabile potrebbero risultare delle lesioni, dei gravi danni a persone, al prodotto o all'ambiente circostante. Questo prodotto non è concepito per essere usato dai bambini senza una diretta supervisione di un adulto. Il manuale del prodotto contiene le istruzioni di sicurezza, di funzionamento e di manutenzione del prodotto stesso. È fondamentale leggere e seguire tutte le istruzioni e le avvertenze nel manuale prima di mettere in funzione il prodotto. Solo così si eviterà un utilizzo errato e si preverranno incidenti, lesioni o danni.

Domande, assistenza e riparazioni

Il vostro negozio locale e/o luogo di acquisto non possono fornire garanzie di assistenza o riparazione senza previo colloquio con Horizon. Questo vale anche per le riparazioni in garanzia. Quindi in tale caso bisogna interpellare un rivenditore, che si metterà in contatto subito con Horizon per prendere una decisione che vi possa aiutare nel più breve tempo possibile.

Manutenzione e riparazione

Se il prodotto deve essere ispezionato o riparato, si prega di rivolgersi ad un rivenditore specializzato o direttamente ad Horizon. Il prodotto deve essere imballato con cura. Bisogna far notare che i box originali solitamente non sono adatti per effettuare una spedizione senza subire alcun danno. Bisogna effettuare una spedizione via corriere che fornisce una tracciabilità e un'assicurazione, in quanto Horizon non si assume alcuna responsabilità in relazione alla spedizione del prodotto. Inserire il prodotto in una busta assieme ad una descrizione dettagliata degli errori e ad una lista di tutti i singoli componenti spediti. Inoltre abbiamo bisogno di un indirizzo completo, di un numero di telefono per chiedere ulteriori domande e di un indirizzo e-mail.

Garanzia a riparazione

Le richieste in garanzia verranno elaborate solo se è presente una prova d'acquisto in originale proveniente da un rivenditore specializzato autorizzato, nella quale è ben visibile la data di acquisto. Se la garanzia viene confermata, allora il prodotto verrà riparato o sostituito. Questa decisione spetta esclusivamente a Horizon Hobby.

Riparazioni a pagamento

Se bisogna effettuare una riparazione a pagamento, effettueremo un preventivo che verrà inoltrato al vostro rivenditore. La riparazione verrà effettuata dopo l'autorizzazione da parte del vostro rivenditore. La somma per la riparazione dovrà essere pagata al vostro rivenditore. Le riparazioni a pagamento avranno un costo minimo di 30 minuti di lavoro e in fattura includeranno le spese di restituzione. Qualsiasi riparazione non pagata e non richiesta entro 90 giorni verrà considerata abbandonata e verrà gestita di conseguenza.



ATTENZIONE: Le riparazioni a pagamento sono disponibili solo sull'elettronica e sui motori. Le riparazioni a livello meccanico, soprattutto per gli elicotteri e le vetture RC, sono molto costose e devono essere effettuate autonomamente dall'acquirente.

10/15

Garanzia e Assistenza informazioni per i contatti

Stato di acquisto	Horizon Hobby	Telefono/Indirizzo e-mail	Indirizzo
Germania	Horizon Technischer Service Sales: Horizon Hobby GmbH	service@horizonhobby.de +49 (0) 4121 2655 100	Christian-Junge-Straße 1 25337 Elmshorn, Germania

CE Dichiarazione di conformità EU: Horizon Hobby, LLC con la presente dichiara che il prodotto è conforme ai requisiti essenziali e ad altre disposizioni rilevanti delle direttive R&TTE, EMC e LVD. Una copia della dichiarazione di conformità per l'Unione Europea è disponibile a: <http://www.horizonhobby.com/content/support-render-compliance>.



Smaltimento all'interno dell'Unione Europea

Questo prodotto non deve essere smaltito assieme ai rifiuti domestici. Invece è responsabilità dell'utente lo smaltimento di tali rifiuti, che devono essere portati in un centro di raccolta designato per il riciclaggio di rifiuti elettronici. Con tale procedimento si aiuterà a preservare l'ambiente e le risorse non verranno sprecate. In questo modo si proteggerà il benessere dell'umanità. Per maggiori informazioni sui punti di riciclaggio si prega di contattare il proprio ufficio locale o il servizio di smaltimento rifiuti.

Replacement Parts List • Teileliste • Liste des pièces de rechange • Elenco dei ricambi

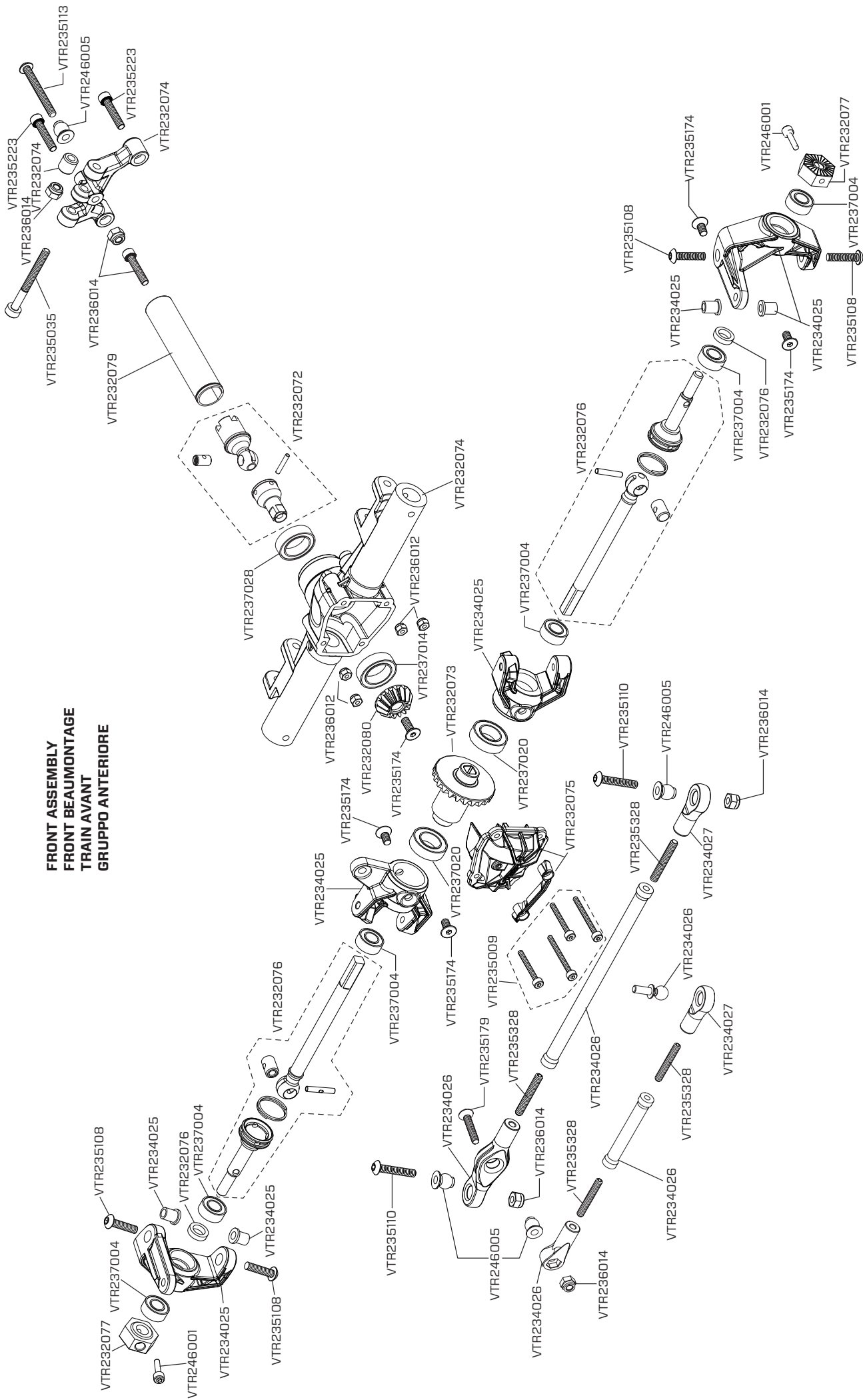
Part #	English	Deutsch	Français	Italiano
LOS4114	48 Pitch Pinion Gear, 14T		Pignon moteur 48DP, 14T	48 Pitch pignone, 14T
TLR255002	Button Head Screws, M2.5x10mm (10)	Halbrundsrauben, M2,5x10mm (10)	Vis à tête bombée, M2,5x10mm (10)	Viti a testa tonda, M2,5x10mm (10)
TLR255006	Button Head Screws, M4x10mm (10)	Halbrundsrauben, M4x10mm (10)	Vis à tête bombée, M4x10mm (10)	Viti a testa tonda, M4x10mm (10)
TLR5903	Button Head Screws, M3 x 10mm (10)	Halbrundsrauben, M3x10mm (10)	Vis à tête bombée, M3x10mm (10)	Viti a testa tonda, M3 x 10mm (10)
TLR5904	Button Head Screws, M3 x 12mm (10)	Halbrundsrauben, M3x12mm (10)	Vis à tête bombée, M3x12mm (10)	Viti a testa tonda, M3 x 12mm (10)
TLR5909	Button Head Screws, M3 x 16mm (10)	Halbrundsrauben, M3x16mm (10)	Vis à tête bombée, M3x16mm (10)	Viti a testa tonda, M3 x 16mm (10)
TLR5962	Flathead Screws, M3 x 10mm (10)	Flachkopfschrauben, M3 x 10mm (10)	Vis à tête plate, M3x10mm (10)	Viti a testa piatta, M3 x 10mm (10)
TLR5964	Flathead Screw, M3 x 16mm (10)	Flachkopfschrauben, M3 x 16mm (10)	Vis à tête plate, M3x16mm (10)	Viti a testa piatta, M3 x 16mm (10)
VTR230055	Ascender Roll Cage Set w/Alum panels (290mm)	Ascender Roll Cage Set mit Alu-Verkleidung (290mm)	Arceau cage Ascender avec panneaux alu (290mm)	Set gabbia antiribaltamento Ascender Set c/pannelli allum. (290mm)
VTR230056	1972 Chevrolet K10 Pickup Cab Set Clear: ASN	1972 Chevrolet K10 Pickup Cab Set transparent: ASN	ASN - Carrosserie transparente 1972 Chevrolet K10 Pickup	Set cabina trasparente 1972 Chevrolet K10 Pickup: ASN
VTR231024	Battery Strap & Pivot: Hal	Akkuhalter: Hal	Hal - Support de batterie avec pivots	Nastro batteria e perno: Hal
VTR231033	Chassis Frame Rail Set: ASN	Baugruppe Chassisrahmenschiene: ASN	ASN - Set de longerons de châssis	Set rotaie telaio: ASN
VTR231034	Chassis Brace Set: ASN	Chassisstrebe Set: ASN	ASN - Set de renforts de châssis	Set supporto telaio: ASN
VTR231035	Shock Tower Set FR/RR: ASN	Stoßdämpferbrücke Set v/h: ASN	ASN - Support d'amortisseur Av/Arr	Set torre ammort: ASN
VTR231036	Bumper Set FR/RR: ASN	Stoßstangenset v/h: ASN	ASN - Set de parechoc Av/Arr	Set paraurti FR/RR: ASN
VTR231037	Receiver Box & ESC Tray: ASN	Empfängerbox & Reglerhalter: ASN	ASN - Boîte de récepteur et platine de contrôleur	Sede scatola ricevente ed ESC: ASN
VTR231038	Battery Tray, Mounts & Strap: ASN	Batterieeinschub, -träger & -lasche: ASN	ASN - Support de batterie, fixations et sangles	Sede batteria, supporti e cinghia: ASN
VTR232001	Transmission Case: Twin Hammers	Getriebegehäuse: Twin Hammers	Twin Hammers - Boitier de transmission	Scatola trasmissione: Twin Hammers
VTR232013	Drive Shaft Yoke, Cup & Hardware (1): Twin Hammers	Antriebswellenmitnehmer und Zubehör (1): Twin Hammers	Twin Hammers - Coupelle de cardan avec croisillon et visserie (1)	Giogo albero trasm., coppa e viteria (1): Twin Hammers
VTR232017	Transmission Shaft Set: Twin Hammers	Antriebswellenset: Twin Hammers	Twin Hammers - Set d'arbres de transmission	Set albero trasmissione: Twin Hammers
VTR232024	Slipper Pads (2): Twin Hammers	Slipper Pads (2): Twin Hammers	Twin Hammers - Garnitures de slipper (2)	Pastiglie slipper (2): Twin Hammers
VTR232026	Slipper Spring, Cup, Spacer & Washer	Slipperfeder, Außenring, Distanzscheibe & Unterlegscheibe: TH ASN	Rondelle, entretoise, ressort et coupelle de slipper	Molla, coppa, distanziale e rondelle slipper
VTR232067	Motor Plate, Gear Cover & Hdw: ASN	Motorplatte, Getriebeabdeckung & Hdw: ASN	ASN - Support moteur, carter de transmission et visserie	Piastra motore, copertura ingran. e viteria: ASN
VTR232068	Center Transmission Gear Set & Spacers: ASN	Zentralgetriebe Set & Distanzscheiben: ASN	ASN - Set de pignons de transmission centrale et entretoises	Set albero trasmissione centrale e distanziali: ASN
VTR232069	Spur Gear, 86T, 48P (2)	Hauptzahnrad, 87T, 48P (2)	Couronne 82T, 48p (2)	Corona, 86T, 48P (2)
VTR232072	Input Drive Shaft Yoke, Cup & Hdw (1): ASN	Antriebswellengabel, Außenring, Distanzscheibe & Hdw (1): ASN	ASN - Tête de cardan, coupelle et accessoires	Giogo albero ingresso, coppa e viteria: ASN
VTR232073	Spool 24T & Pinion Gear 13T: ASN	Spule 24T & Zahngetriebe 13T: ASN	ASN - Spool 24T et pignon 13T	Rocchetto 24T e pignone 13T: ASN
VTR232074	Axle Housing & Link Mount Set FR/RR: ASN	Set Achsgehäuse & Befestigungspunkte v/h: ASN	ASN - Corps de pont et fixations Av/Arr	Sede albero e set supporto link: ASN
VTR232075	Diff Cover & Diff Skid Plate Set FR/RR: ASN	Set Differentialabdeckung & Differentialgleitplatte FR/RR: ASN	ASN - Couvercle de différentiel et plaque de protection Av/Arr	Copertura diff. e set piastra pattino diff: ASN
VTR232076	Front CV Shaft Set: ASN	CV Antriebswellenset vorne: ASN	ASN - Set de cardans CV avant	Set albero CV anteriore: ASN
VTR232077	Wheel Hex, Pins & Serrated Lock Nut: ASN (4)	Radmuttern, Stifte und Stopmmuttern (4): ASN	ASN - Goupilles, hexagones et écrous de roues (4)	Esagoni ruote, perni e dado autobloccante dentellato: ASN (4)
VTR232078	Axle Shafts Rear (2): ASN	Achswellen Heck (2): ASN	ASN - Axe de roue Arr (2)	Asse albero posteriore: ASN
VTR232079	HD Molded Center Dsft Set Short/Long: ASN	HD Antriebswelle Mitte, kurz/lang: ASN	Ascender - Cardan central moulé renforcé Court/Long	Set HD centrale stampato corto/lungo: Ascender
VTR232080	HD Pinion Drive Gear 13T (2)	Antriebsritzel HD 13T (2)	Pignon renforcé 13T (2)	Pignone HD 13T (2)
VTR233026	Shock Shaft & Piston Set (4): ASN	Set Kolbenstange & Kolben (4): ASN	ASN - Set de tige d'amortisseur et de piston (4)	Set pistone e albero ammort. (4): ASN
VTR233027	Shock Body, Adj Collar, Upper & Lower Cap (4): ASN	Gehäuse, Einstellmanschette, obere & untere Kappe (4): ASN	ASN - Corps d'amortisseur, bague de réglage et bouchons inf. et sup. (4)	Corpo ammort., collare regol., copertura infer./super. (4): ASN
VTR233028	Shock End,Cup,Rubber Stop & Mid Collar (4): ASN	Stoßdämpferende, Außenring, Anschlaggummi & Mittelmanschette (4): ASN	ASN - Chape d'amortisseur, coupelle, butée caoutchouc, bouchon inf. et sup. (4)	Terminale ammort., coppa, fermo in gomma e collare medio (4): ASN
VTR233029	Upper Shock Spring Set Soft, Med, Hard (2ea.): ASN	Set obere Stoßdämpferfeder weich, medium, hart (2ea.): ASN	ASN - Set de ressorts supérieurs, souple, moyen, dur (2 de chaque)	Set molla super. ammort. morbida, media, dura: ASN
VTR233030	Lower Shock Spring Set Soft, Med, Hard (2ea.): ASN	Set untere Stoßdämpferfeder weich, medium, hart (2es.): ASN	ASN - Set de ressorts inférieurs, souple, moyen, dur (2 de chaque)	Set molla infer. ammort. morbida, media, dura: ASN
VTR234025	Steering Spindle & Hub Set FR/RR: ASN	Set Lenkspindel & Träger (v/h): ASN	ASN - Set de fusées et étriers Av/Arr	Set fuso sterzo e mozzo: ASN
VTR234026	Steering Linkage Set: ASN	Set Lenkgestänge: ASN	ASN - Trianglerie de direction	Set comandi sterzo: ASN
VTR234027	Suspension Rod Ends: ASN	Kugelpfannenaufhängung: ASN	ASN - Chapes de suspension	Estremità asta sospensione: ASN
VTR234028	3mm Threaded Alum. Link, 61mm (4)	3mm Aluminiumgewinde, 61mm (4)	Biellette aluminium M3, 61mm (4)	Collegamento filettato allum. 3mm, 61mm (4)
VTR234029	3mm Threaded Aluminum Link, 66mm (4)	3mm Aluminiumgewinde, 66mm (4)	Biellette aluminium M3, 66mm (4)	Collegamento filettato allum. 3mm, 66mm (4)
VTR234030	Link Spacers, Aluminum, 3x6x12mm (8)	Abstandshalter, Aluminium, 3x6x12mm (8)	Entretoises en aluminium 3x6x12mm (8)	Distanziali link allum., 3x6x12mm (8)
VTR235009	M2 x 20mm Cap Head Screw (10)	Innensechskantschrauben M2x20mm (10)	Vis BTR M2x20mm (10)	M2 x 20mm vite a brugola (10)

Replacement Parts List • Teileliste • Liste des pièces de rechange • Elenco dei ricambi

Part #	English	Deutsch	Français	Italiano
VTR235014	M2.5 x 10mm Cap Head Screw (10)	Innensechskantschrauben M2.5x10mm (10)	Vis BTR M2,5x10mm (10)	M2.5 x 10mm vite a brugola (10)
VTR235025	M3 x 8mm Cap Head Screw (10)	Innensechskantschrauben M3x8mm (10)	Vis BTR M3x8mm (10)	M3 x 8mm vite a brugola (10)
VTR235035	M3 x 30mm, Cap Head Screw (10)	Innensechskantschrauben M3x30mm (10)	Vis BTR M3x30mm (10)	M3 x 30mm, vite a brugola (10)
VTR235113	M3 x 25mm Button Head Screw (10)	Halbrundschruben, M3x25mm (10)	Vis à tête bombée M3x25mm (10)	M3 x 25mm vite a testa tonda (10)
VTR235114	M3 x 30mm, Button Head Screw (10)	Halbrundschruben, M3x30mm (10)	Vis à tête bombée M3x30mm (10)	M3 x 30mm, vite a testa tonda (10)
VTR235174	M3 x 6mm Flat Head Screw (10)	Flachkopfschrauben, M3x6mm (10)	Vis à tête fraisée M3x6mm (10)	M3 x 6mm vite a testa piatta (10)
VTR235223	M2.8 x 14mm Cap Head Screw Self-Tapping (10)	M2,8 x 14mm Innensechskantschrauben selbstschneidend (10)	Vis auto-taraudeuse M2,8x14mm (10)	M2.8 x 14mm vite a brugola autofilet-tante (10)
VTR235320	M3 x 3mm Cup Point Setscrew (10)	Ringschneide Gewindestift M3x3mm (10)	Vis sans tête M3x3mm (10)	M3 x 3mm grano c7punta a tazza (10)
VTR235322	M3 x 5mm Cup Point Setscrew (10)	Ringschneide Gewindestift M3x5mm (10)	Vis sans tête M3x5mm (10)	M3 x 5mm grano c7punta a tazza (10)
VTR235328	M3 x 20mm, Cup Point Set Screw (10)	Ringschneide Gewindestift M3x20mm (10)	Vis sans tête M3x20mm (10)	M3 x 20mm, grano c7punta a tazza (10)
VTR235330	M3 x 30mm, Cup Point Set Screw (10)	Ringschneide Gewindestift M3x30mm (10)	Vis sans tête M3x30mm (10)	M3 x 30mm, grano c7punta a tazza (10)
VTR236012	M2 Nylock Nut (10)	M2 Mutter Nylock (10)	Ecrou auto-freiné M2 (10)	M2 dado autobloccante (10)
VTR236014	M3 Nylock Nut (10)	M3 Mutter Nylock (10)	Ecrou auto-freiné M3 (10)	M3 dado autobloccante (10)
VTR236046	M4 Nylock Flanged Serrated Nut (10)	M4 Mutter Nylock angeflanscht gezackt (1)	Ecrou frein M4 épaulé strié (10)	M4 dado autobloccante flangia dentelata (10)
VTR236137	E-Clip, 5mm (10)	E-Clip, 5mm (10)	E-clips 5mm (10)	E-Clip, 5mm (10)
VTR237003	4mm x 8mm x 3mm Ball Bearing (2)	4mmx8mmx3mm Kugellager (2)	Roulement 4x8x3mm (2)	4mm x 8mm x 3mm cuscinetto (2)
VTR237004	5mm x 10mm x 4mm Ball Bearing (2)	5mmx10mmx4mm Kugellager (2)	Roulement 5x10x4mm (2)	5mm x 10mm x 4mm cuscinetto (2)
VTR237009	5mm x 13mm x 4mm Ball Bearing (2)	5mmx13mmx4mm Kugellager (2)	Roulement 5x13x4mm (2)	5mm x 13mm x 4mm cuscinetto (2)
VTR237014	6mm x 12mm x 4mm Ball Bearing (2)	6mmx12mmx4mm Kugellager (2)	Roulement 6x12x4mm (2)	6mm x 12mm x 4mm cuscinetto (2)
VTR237020	8mm x 14mm x 4mm Ball Bearing (2)	8mmx14mmx4mm Kugellager (2)	Roulement 8x14x4mm (2)	8mm x 14mm x 4mm cuscinetto (2)
VTR237028	10mm x 15mm x 4mm, Nylon Retainer Ball Bearing (2)	10mm x 15mm x 4mm, Kugellager, gekapselt (2)	Roulement cage nylon 10x15x4mm (2)	10mm x 15mm x 4mm, cuscinetto c/fermo in nylon (2)
VTR243010	O-Ring, Bleeder Screw (4): Glamis Uno, Fear, Hal, Rap, Ral	O-Ring, Entlüftungsschraube (4): Glamis Uno, Fear, Hal, Rap, Ral	Glamis Uno, Fear, Hal, Rap, Ral - Joint torique de vis de purge d'amortisseurs (4)	O-ring, vite sfiato (4): Glamis Uno, Fear, Hal, Rap, Ral
VTR246005	Flanged Pivot Ball, 5.8mm x 3mm x 7mm (10)	Kugelpfopf mit Flansch, 5,8mm x 3mm x 7mm (10)	Rotules épaulées 5,8x3x7mm (10)	Sfera perno flangiato, 5,8mm x 3mm x 7mm (10)
VTR43047	Wheel FR/RR Ascender 8 Spoke 1.9" Set Chrome (4)	Set Räder (v/h) Ascender, 8 Speichen 1,9", Chrom (4)	Jante Av/Arr Ascender 8 bâtons 1,9" chromée (4)	Ruota FR/RR Ascender 8 Spoke 1.9" Set Chrome (4)

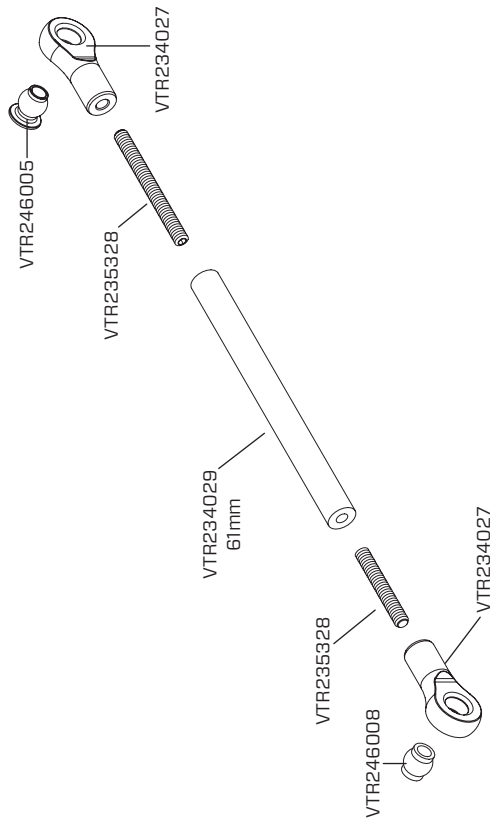
Optional Parts List • Optionale Bauteile • Pièces optionnelles • Pezzi opzionali

Part #	English	Deutsch	Français	Italiano
DYNB3800EC	Reaction 7.4V 4000mAh 2S 50C LiPo, Hardcase: 96mm	Reaction 7.4V 4000mAh 2S 50C LiPo: Hardcase mit EC3 Anschluss	Batterie Reaction Li-Po 2S 7,4V 4000mA 50C, boîtier rigide, câbles 96mm	Scatola rigida Reaction 7.4V 4000mAh 2S 50C LiPo: 96mm
DYNC2010CA	Prophet Sport Plus 50W AC/DC Charger	Prophet Sport Plus Li-Po 50W AC/DC Ladegerät	Chargeur Prophet Sport Plus 50W AC/DC	Caricatore Prophet Sport Plus 50W AC/DC
VTR232007	Transmission Shift Linkage Set: Twin Hammers	Getriebebeschaltgestänge Set: Twin Hammers	Twin Hammers - Tringlerie de changement de vitesse	Set comando cambio: Twin Hammers
VTR232008	High- & Low-Speed Gear Set: Twin Hammers	Vaterra Zwei-Gang-Getriebe Set: Twin Hammers	Twin Hammers - Set de pignons petite et grande vitesse	Set ingranaggi alta e bassa velocità: Twin Hammers
VTR232009	Transmission Shift Fork & Shaft: Twin Hammers	Getriebebeschaltgabel & Shaft: Twin Hammers	Twin Hammers - Fourchette et axe de changement de vitesse	Forcella e albero cambio: Twin Hammers
VTR232017	Transmission Shaft Set: Twin Hammers	Antriebswelle: Twin Hammers	Twin Hammers - Set d'arbres de transmission	Set albero trasmissione: Twin Hammers
VTR331008	Battery Tray Mounts, Alum: ASN	Batteriefachhalterungen, Alu: ASN	ASCN - Fixations de support de batterie en aluminium	Supporti sede batteria, Alum: ASN
VTR331009	Winch Fair Lead, Alum: ASN	Windenthaler, Alu: ASN	ASCN - Passe câble de treuil en aluminium	Passacavo verricello, Alum: ASN
VTR331010	Steering Servo Horn, 23T, Alum: ASN	Lenkservohorn, 23T, Alu: ASN	ASCN - Bras de servo de direction 23T en aluminium	Squadretta servo sterzo, 23T, Alum: ASN
VTR331011	Steering Servo Horn, 24T, Alum: ASN	Lenkservohorn, 24T, Alu: ASN	ASCN - Bras de servo de direction 24T en aluminium	Squadretta servo sterzo, 24T, Alum: ASN
VTR331012	Steering Servo Horn, 25T, Alum: ASN	Lenkservohorn, 25T, Alu: ASN	ASCN - Bras de servo de direction 25T en aluminium	Squadretta servo sterzo, 25T, Alum: ASN
VTR332009	Transmission Metal Gear Set: Twin Hammers	Metallgetriebeset: Twin Hammers	Twin Hammers - Set de pignons métal de transmission	Set ingranaggi metallo trasmissione: Twin Hammers
VTR334017	Adjustable Coilover Shocks, Alum (2): ASN	Alu-Stoßdämpfer, einstellbar (2): ASN	ASCN - Amortisseurs réglables en aluminium (2)	Molla regolabile ammortizzatori, Alum (2): ASN
VTR334018	Front Spindle Set, Alum: ASN	Lenkhebelsset vorne, Alu: ASN	ASCN - Set de fusées avant en aluminium	Set fuso anteriore, Alum: ASN
VTR334019	Front Carrier Set, Alum: ASN	Trägerset vorne, Alu: ASN	ASCN - Set d'étriers avant en aluminium	Set guida anteriore, Alum: ASN
VTR334020	Rear Hub Carrier, Alum: ASN	Radträgerset hinten, Alu: ASN	ASCN - Set d'étriers arrière en aluminium	Guida mozzo posteriore, Alum: ASN
VTR334021	Brake Caliper/Rotor Weight, Brass (2): ASN	Brems-/Rotorgewicht, Messing (2): ASN	ASCN - Disque de frein/étrier lesté (2)	Pinza freno/peso rotore, ottone (2): ASN
VTR334022	One Piece Lower Link, Alum, 66mm (2): ASN	Anlenkung unten, einteilig, Alu, 66mm (2): ASN	ASCN - Tirant en une seule partie en aluminium 66mm (2)	Braccetto inferiore un pezzo, allum., 66mm (2): ASN
VTR334023	One Piece Lower Link, Alum, 78mm (2): ASN	Anlenkung unten, einteilig, Alu, 78mm (2): ASN	ASCN - Tirant en une seule partie en aluminium 78mm (2)	Braccetto inferiore un pezzo, allum., 78mm (2): ASN
VTR334024	One Piece Lower Link, Alum, 90mm (2): ASN	Anlenkung unten, einteilig, Alu, 90mm (2): ASN	ASCN - Tirant en une seule partie en aluminium 90mm (2)	Braccetto inferiore un pezzo, allum., 90mm (2): ASN

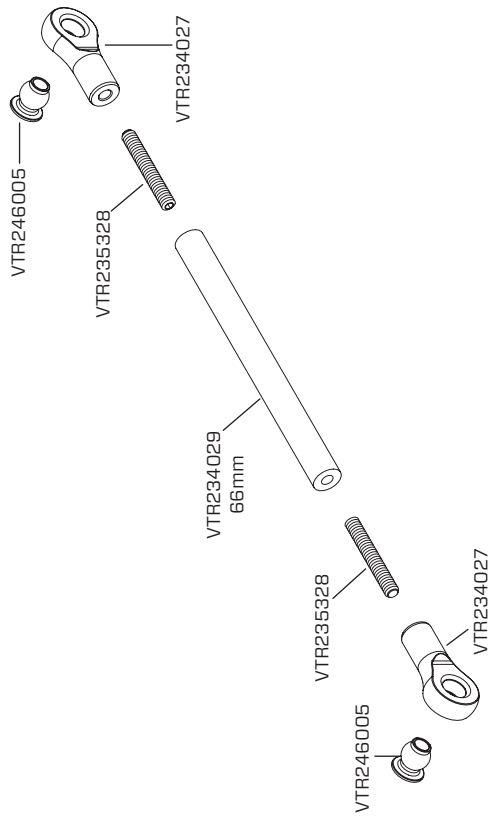


**FRONT ASSEMBLY
FRONT BEAUMONTAGE
TRAIN AVANT
GRUPPO ANTERIORE**

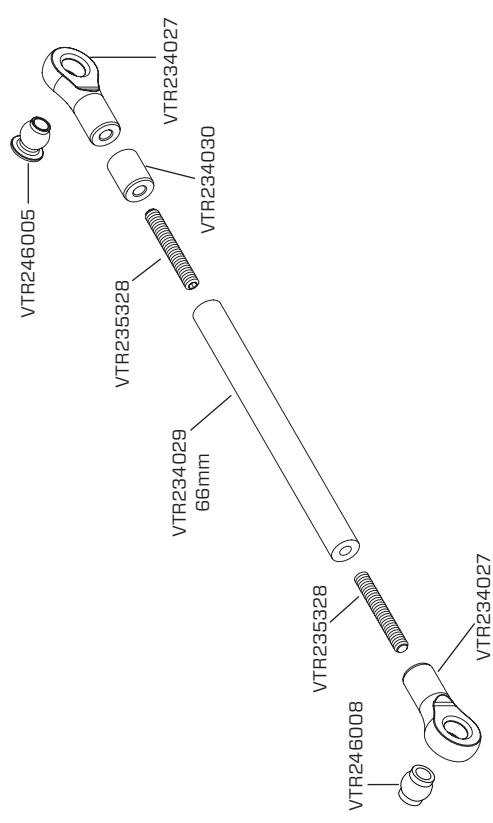
FRONT UPPER LINK ASSEMBLY - WB2 (290mm)
MONTAGE QUERLENKERARM VORNE OBEN - WB2 (290mm)
ASSEMBLAGE DES TIRANTS SUPÉRIEURS AVANT - WB2 (290mm)
GRUPPO BRACCETTO SUPERIORE SOSPENSIONE ANTERIORE - WB2 (290mm)



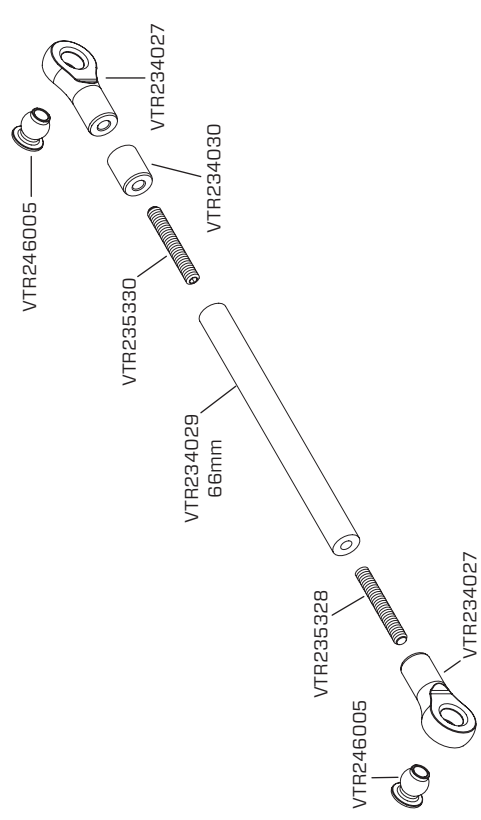
FRONT LOWER LINK ASSEMBLY - WB2 (290mm)
MONTAGE QUERLENKERARM VORNE UNTEN - WB2 (290mm)
ASSEMBLAGE DES TIRANTS INFÉRIEURS AVANT - WB2 (290mm)
GRUPPO BRACCETTO INFERIORE SOSPENSIONE ANTERIORE - WB2 (290mm)



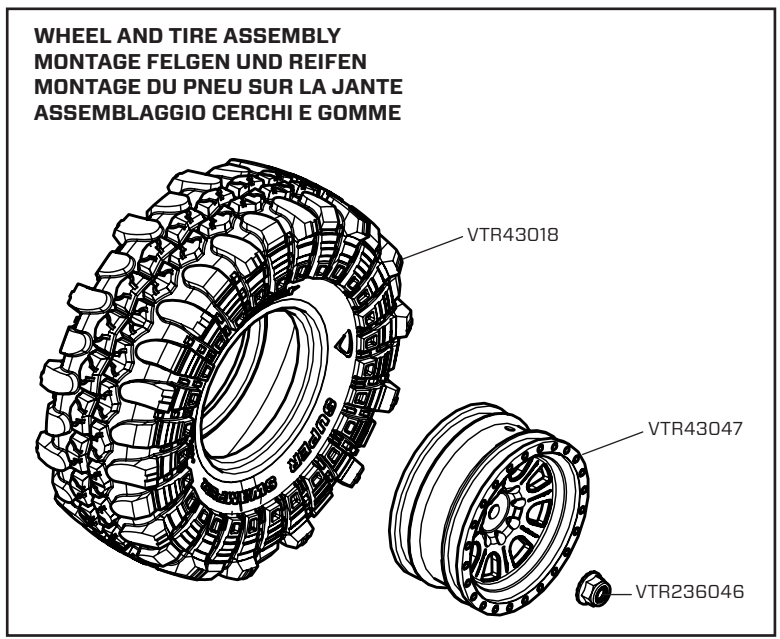
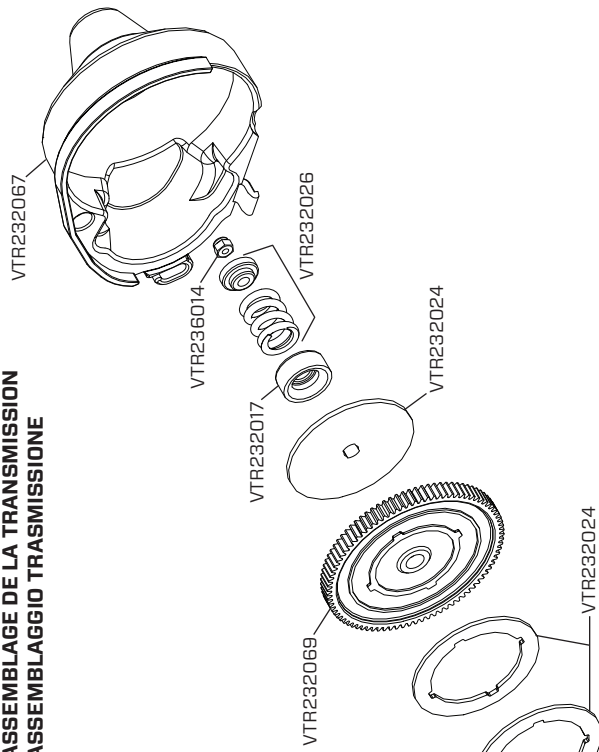
REAR UPPER LINK ASSEMBLY - WB2 (290mm)
MONTAGE QUERLENKERARM HINTEN UNTEN - WB2 (290mm)
ASSEMBLAGE DES TIRANTS SUPÉRIEURS ARRIÈRE - WB2 (290mm)
GRUPPO BRACCETTO SUPERIORE SOSPENSIONE POSTERIORE - WB2 (290mm)



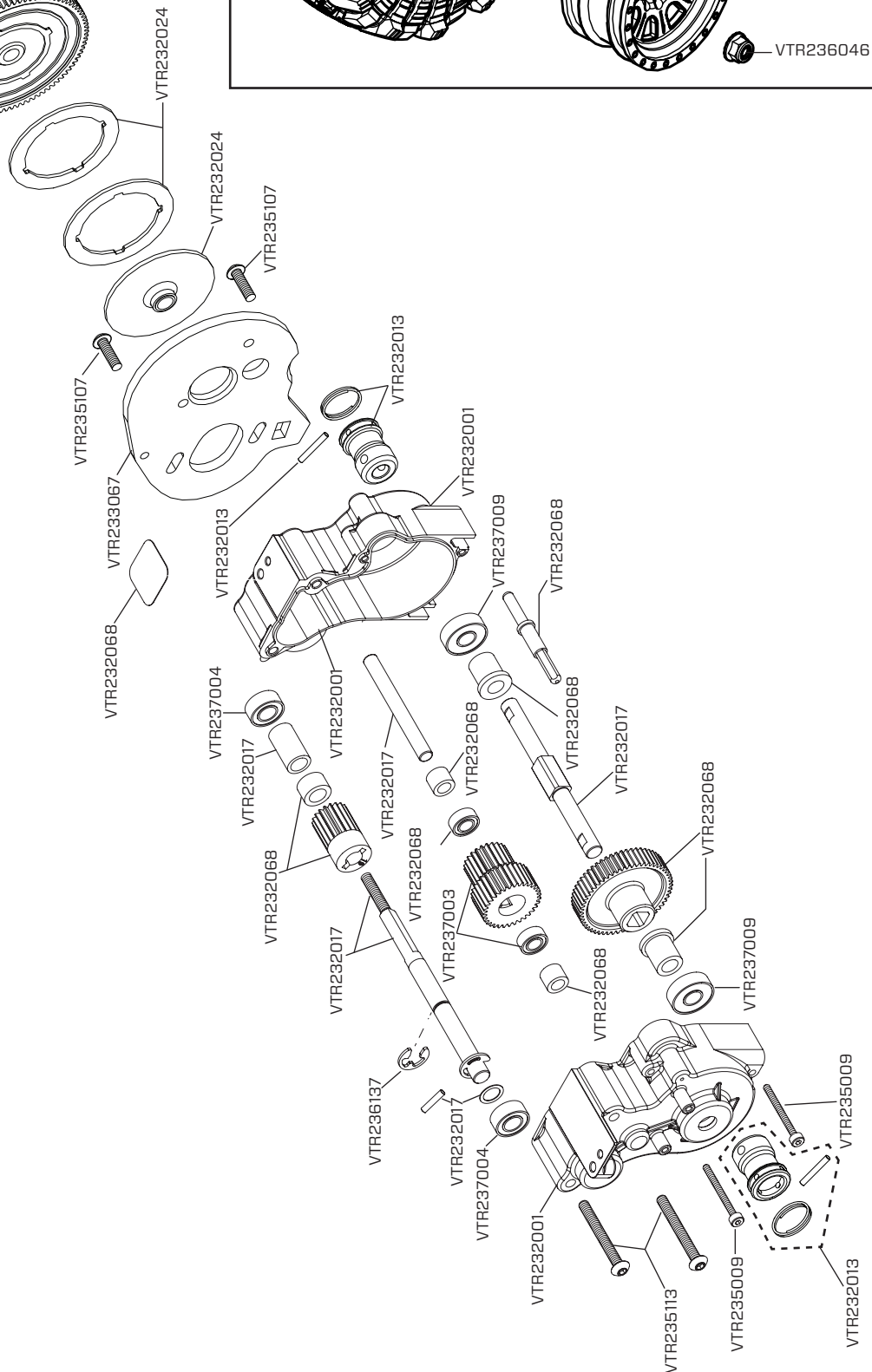
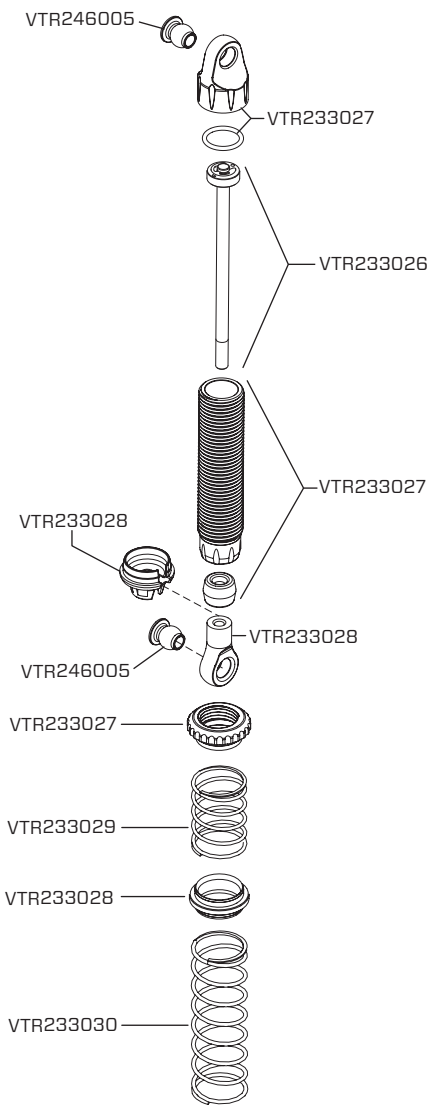
REAR LOWER LINK ASSEMBLY - WB2 (290mm)
MONTAGE QUERLENKERARM HINTEN UNTEN - WB2 (290mm)
ASSEMBLAGE DES TIRANTS INFÉRIEURS ARRIÈRE - WB2 (290mm)
GRUPPO BRACCETTO INFERIORE SOSPENSIONE POSTERIORE - WB2 (290mm)



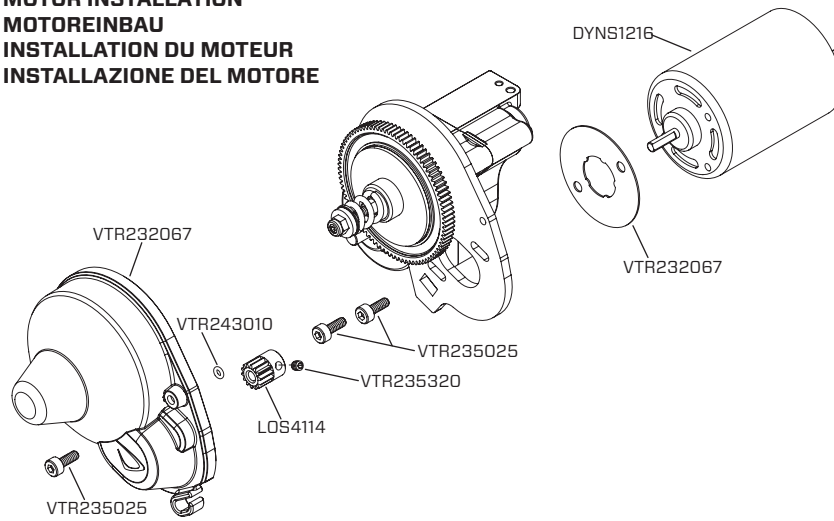
**TRANSMISSION ASSEMBLY
MONTAGE GETRIEBE
ASSEMBLAGE DE LA TRANSMISSION
ASSEMBLAGGIO TRASMISSIONE**



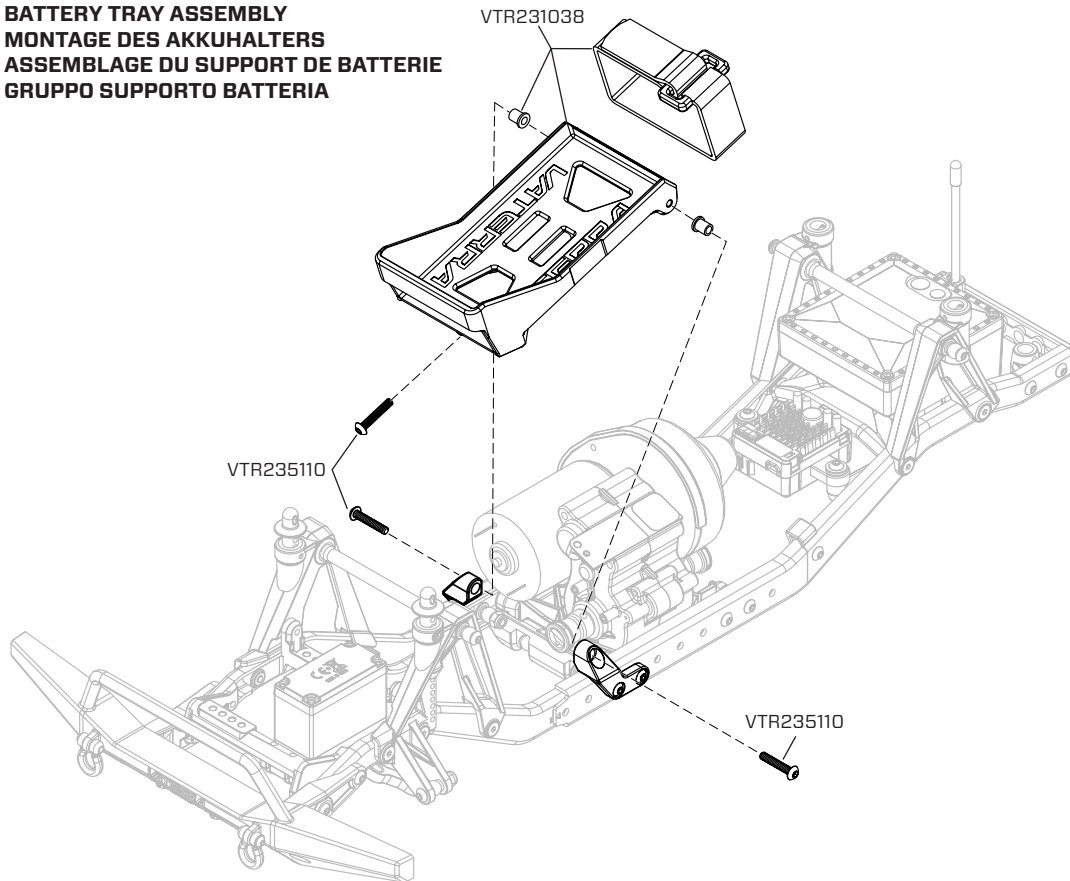
**SHOCK ASSEMBLY
STOßDÄMPFER MONTAGE
ASSEMBLAGE D'UN AMORTISSEUR
GRUPPO AMMORTIZZATORE**



**MOTOR INSTALLATION
MOTOREINBAU
INSTALLATION DU MOTEUR
INSTALLAZIONE DEL MOTORE**



**BATTERY TRAY ASSEMBLY
MONTAGE DES AKKUHALTERS
ASSEMBLAGE DU SUPPORT DE BATTERIE
GRUPPO SUPPORTO BATTERIA**





VATERRA®

It is a shared passion for motorsports and radio control. Extreme performance and extreme places. Cars and trucks that look and drive just like the real thing. Most of all, it is about gathering friends, grabbing a vehicle and having the time of your life.

Adventure Driven.™