

# CR12 TRAIL SERIES

- # 40001 CR12 Trail Series Ford F-150 (Black)
- # 40002 CR12 Trail Series Ford F-150 (Blue)

1:12 Scale Ready-To-Run  
Electric 4x4 Off Road Truck



INCLUDES  
**LED**  
FOUR PIECE LIGHT SET

**READY-TO-RUN**

1:12 Scale Ready-To-Run Electric 4x4 Off Road Truck Manual & Catalog



**CHAMPIONS** *by* DESIGN

[TeamAssociated.com](http://TeamAssociated.com)

# TEAM ASSOCIATED

## :: Safety Precautions 安全注意事項

**Please read all of the instructions and familiarize yourself with the product and its controls before operation.**

1. This product is not a toy. It is a high performance models car therefore it is important to familiarize yourself with the model, its manual, and its construction before assembly or operation. Adult supervision is necessary for children operating this model.
2. Always keep this instruction manual on hand during assembly and for operating reference.
3. Do not use a power screwdriver to install screws into plastic parts. A power screwdriver's high rotation speed can heat up the screw being installed which can result in some melting of the plastic parts or stripped threads.
4. For best performance, it is important to make sure all the moving parts can move freely without binding.
5. This product, its parts, and its assembly tools can be harmful to your health. Always exercise extreme caution when assembling and operating this product. Keep away from any high speed rotating parts during operation.

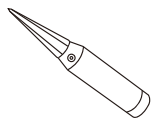
在您開始操作本產品前，請詳閱本產品說明書。

1. 本產品為高性能模型產品非一般玩具，組裝與操作過程皆須由成人陪同。請詳讀此本使用說明書，避免因組裝錯誤與操作不當造成損壞。
2. 請妥善保管此說明書，對於後續維修、操控說明將可提供您協助。
3. 請勿使用電動工具旋緊自攻螺絲於塑膠零件上，可能導致塑膠零件融化或滑牙。
4. 請檢視所有活動部位零件是否不受干涉，可靈活作動，以達車輛最佳性能。
5. 此項產品具有相當之危險性，於組裝、調整、操控上的不熟悉都可能造成自身或他人的傷害。

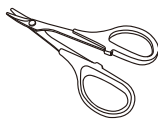
## :: Index 索引

STEP 1	Chassis 車體.....	pg 2	STEP 13	Center Gear Case 中央齒輪箱.....	pg 9
STEP 2	Front/Rear Differential 前/後差速組....	pg 3	STEP 14	Motor 馬達組.....	pg 9
STEP 3	Front Axle 前傳動組.....	pg 4	STEP 15	Battery Plate 電池板.....	pg 11
STEP 4	Front Steering Set 前轉向組.....	pg 4	STEP 16	Servo Set 伺服器組.....	pg 10
STEP 5	Rear Hub Set 後輪座組.....	pg 5	STEP 17	Steering Turnbuckle 轉向拉桿.....	pg 11
STEP 6	Shock Assembly 避震器組.....	pg 5	STEP 18	Side Guard 側板.....	pg 11
STEP 7	Front Adjustable Links 前可調連桿組.....	pg 6	STEP 19	Front Bumper 前防撞板.....	pg 12
STEP 8	Front Suspension 前懸吊組.....	pg 6	STEP 20	Rear Bumper 前防撞板.....	pg 12
STEP 9	Rear Adjustable Links 後可調連桿組.....	pg 7	STEP 21	Front/Rear Body Post 前/後車殼支柱.....	pg 13
STEP 10	Rear Suspension 後懸吊組.....	pg 7	STEP 22	Tires & Wheels 輪胎與輪框.....	pg 13
STEP 11	Center Gear 中央齒輪.....	pg 8	STEP 23	LED Light Bar Set 車殼燈架組.....	pg 14
STEP 12	Center Drive Shaft 中央傳動軸.....	pg 8	STEP 24	Body 車殼.....	pg 15

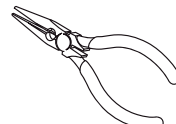
## :: Tools Required For Assembly 組裝維修工具



Body Reamer  
車殼鑽孔器



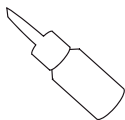
FT Body Scissors #1737  
車殼專用剪



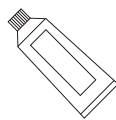
Needle Nose Pliers  
尖嘴鉗



Wire Cutter  
斜口剪



FT Locking Adhesive  
(Threadlocker) #1596  
螺絲防鬆膠



Black Grease  
#6588  
潤滑油膏(黃油)



FT Tire Adhesive  
(CA Glue) #1597  
快乾膠



FT Hex Driver Tool Set  
1.5/2.0/2.5mm #1598  
六角板手組

## :: Symbol Reference Key 說明書符號說明



Build right and left assembly  
組裝左和右配件



Build front and rear assembly  
組裝前和後配件



Assemble the same two parts  
組裝兩次相同配件

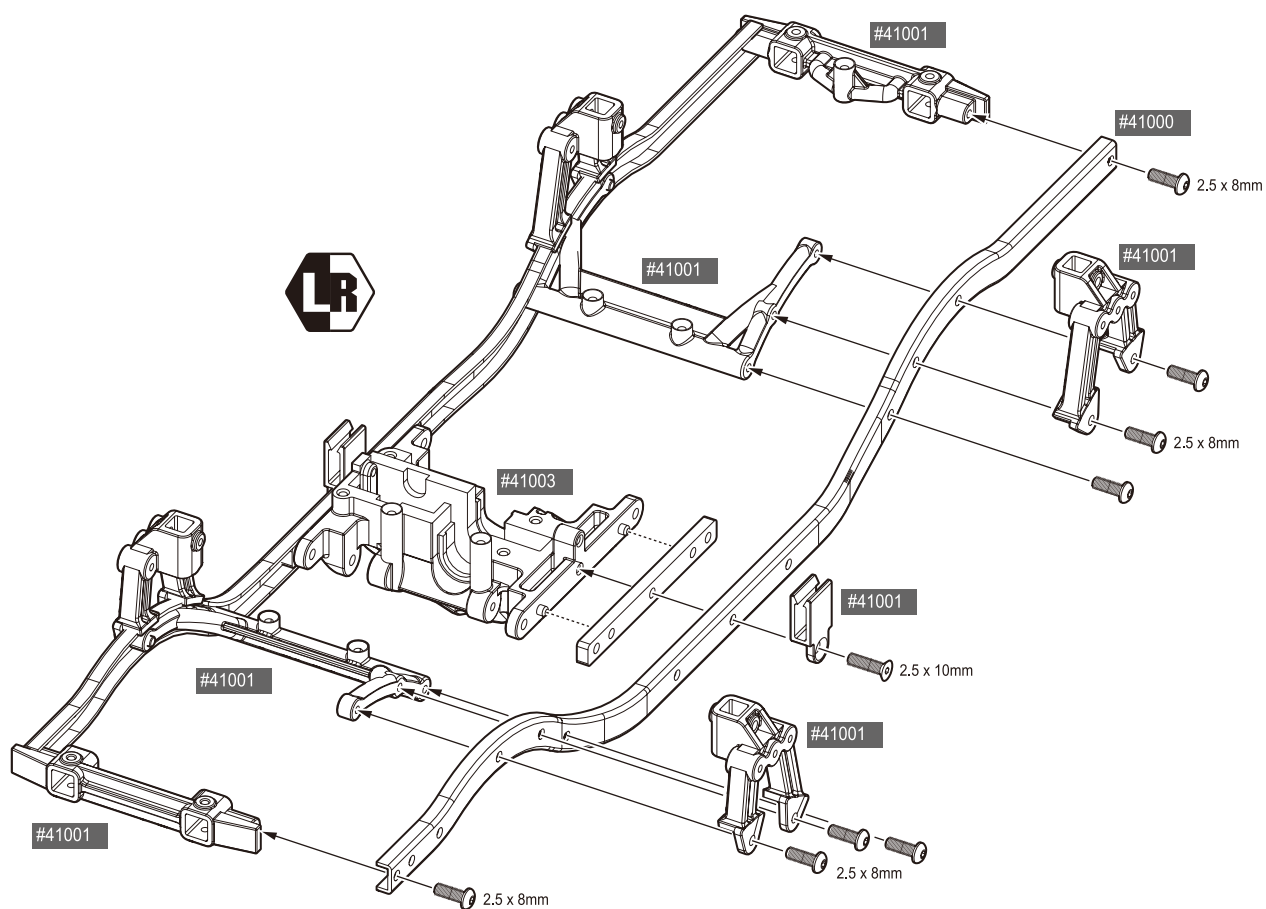
Associated Electrics, Inc.  
26021 Commercentre Dr.  
Lake Forest, CA 92630

**TEAM ASSOCIATED**  
WORLD CHAMPION R/C CARS





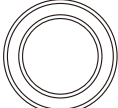
Customer Service  
Tel: 949.544.7500  
Fax: 949.544.7501

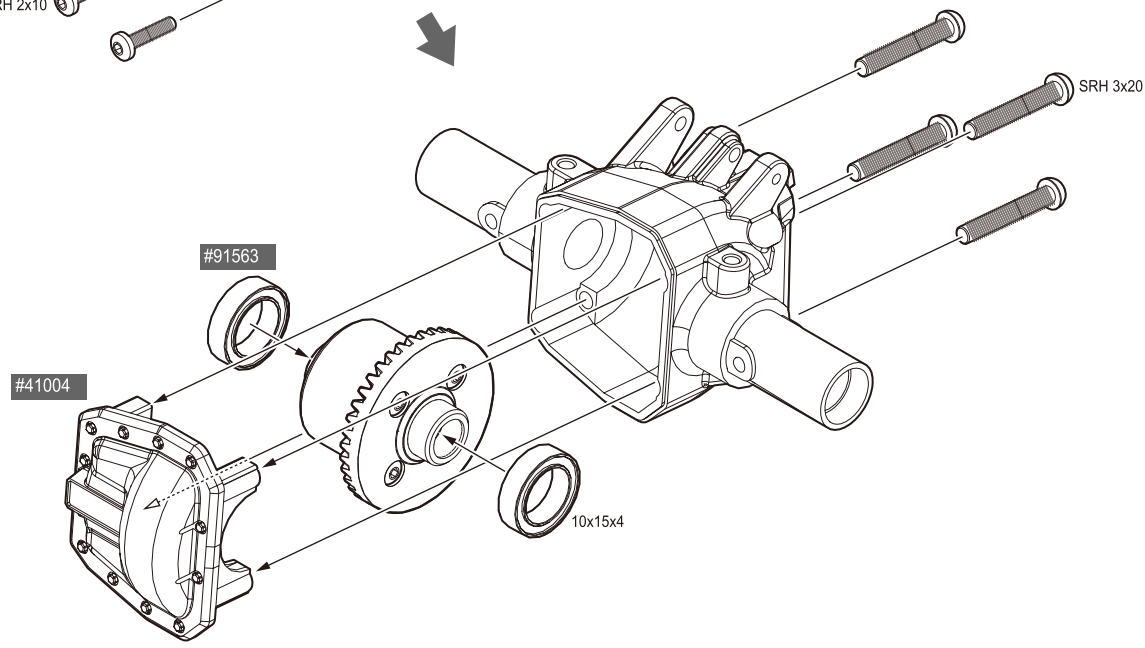
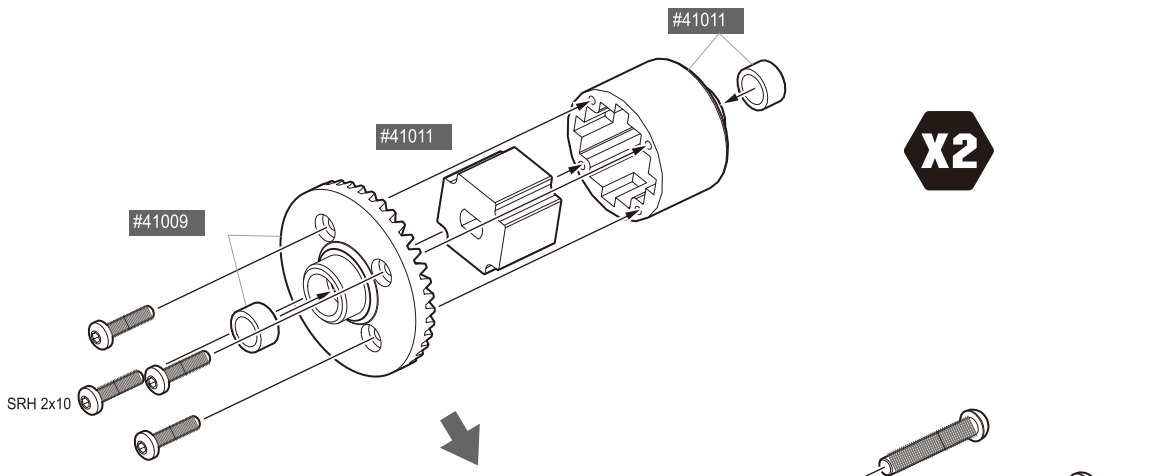
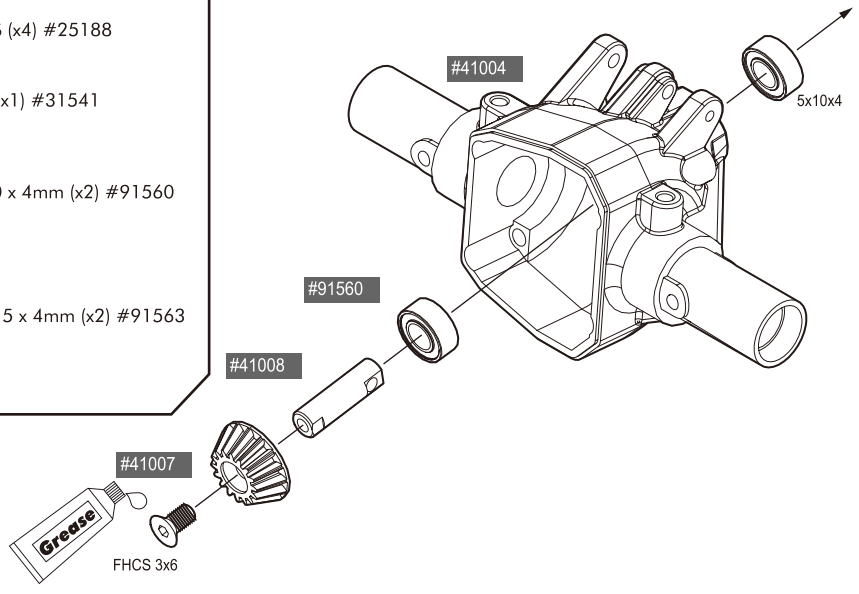
**STEP 1** :: Chassis 車體

 M2.5 x 8mm (x16) BHCS #31521

 M2.5 x 10mm (x2) FHCS #31350


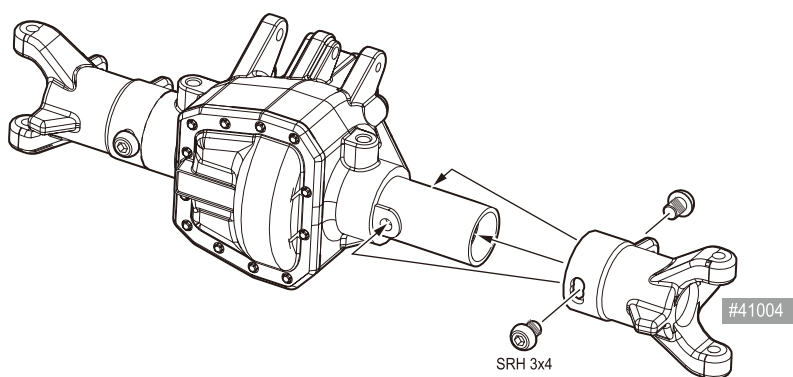
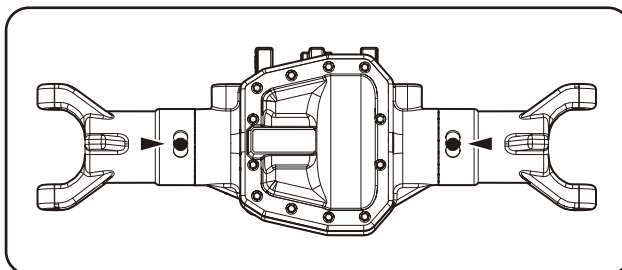
**STEP 2** :: *Front/Rear Differential* 前/後差速組

-  M2 x 10mm SRH Screw (x8) #41073
-  M3 x 20mm BHCS (x4) #25188
-  M3 x 6mm FHCS (x1) #31541
-  FT Bearings 5 x 10 x 4mm (x2) #91560
-  FT Bearings 10 x 15 x 4mm (x2) #91563



**STEP 3** :: Front Axle 前傳動組

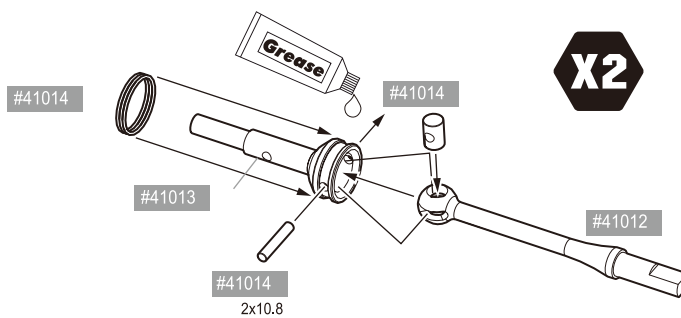
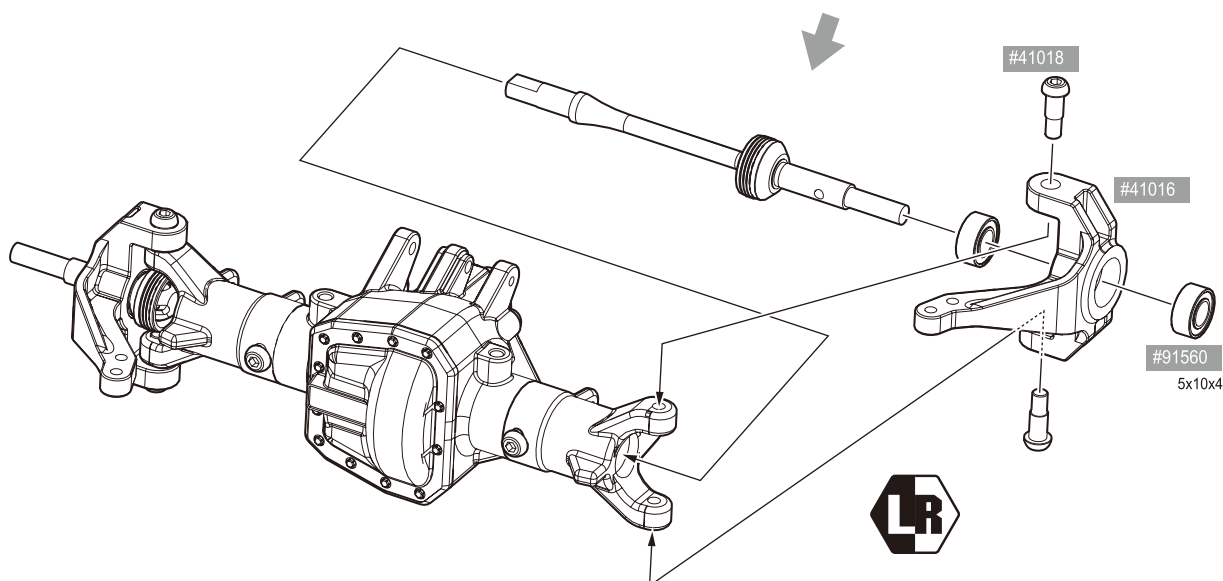
M3 x 4mm BHCS (x4) #91158

**STEP 4** :: Front Steering Set 前轉向組



3 x 11.6mm C-Hub Screw (x4) #41018

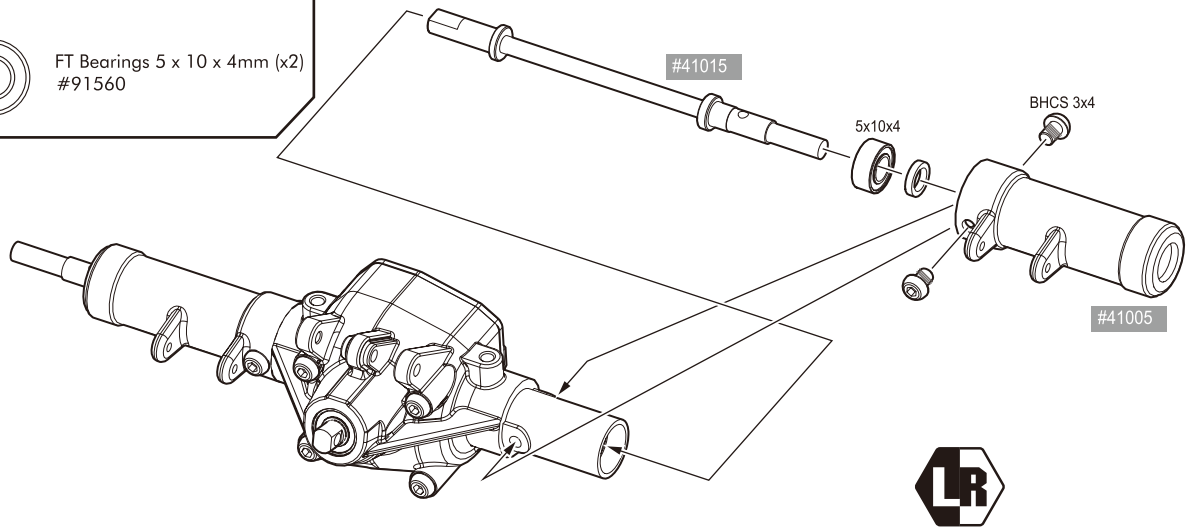


FT Bearings 5 x 10 x 4mm (x4) #91560

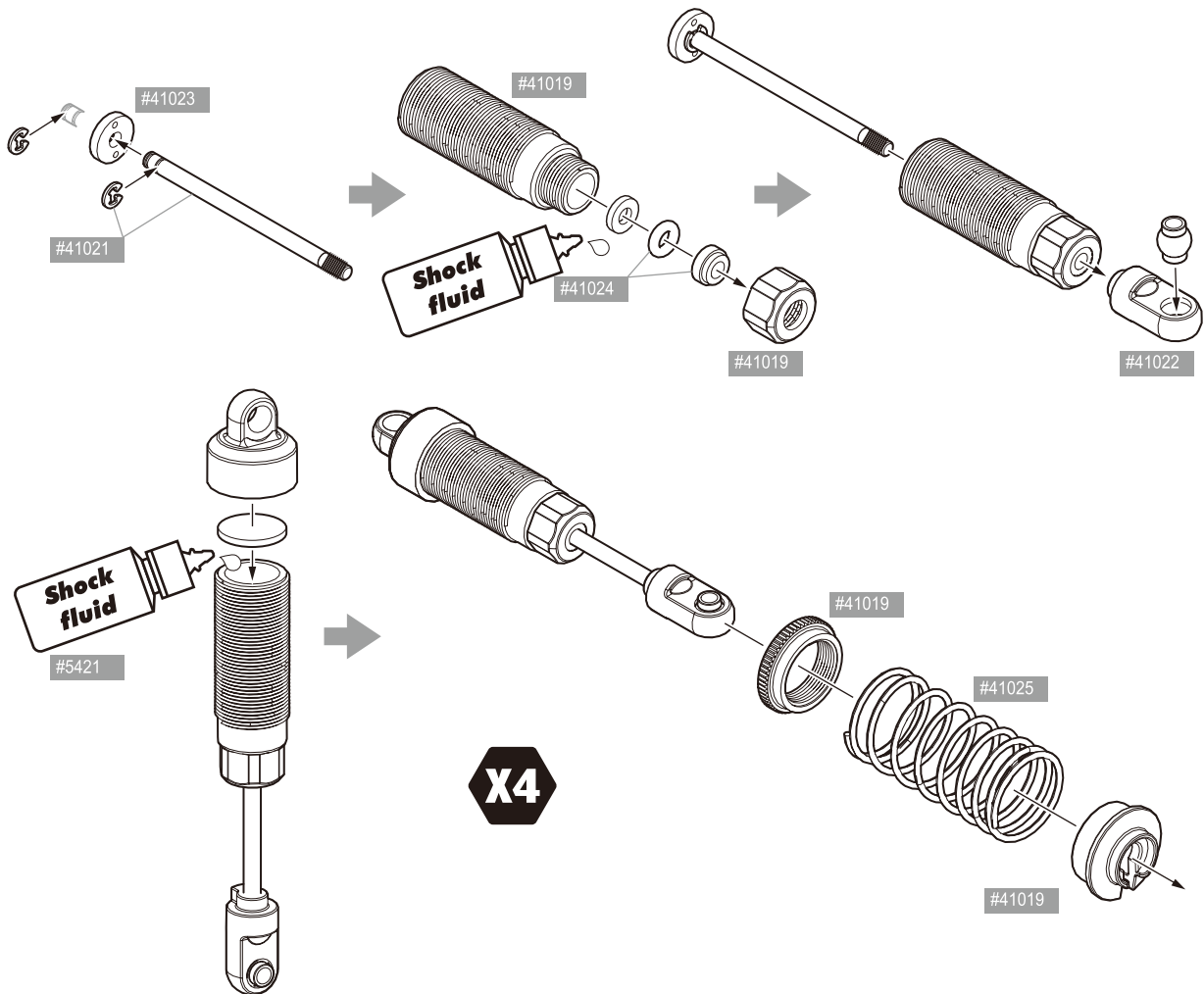
**X2**

**STEP 5** :: Rear Hub Set 後輪座組

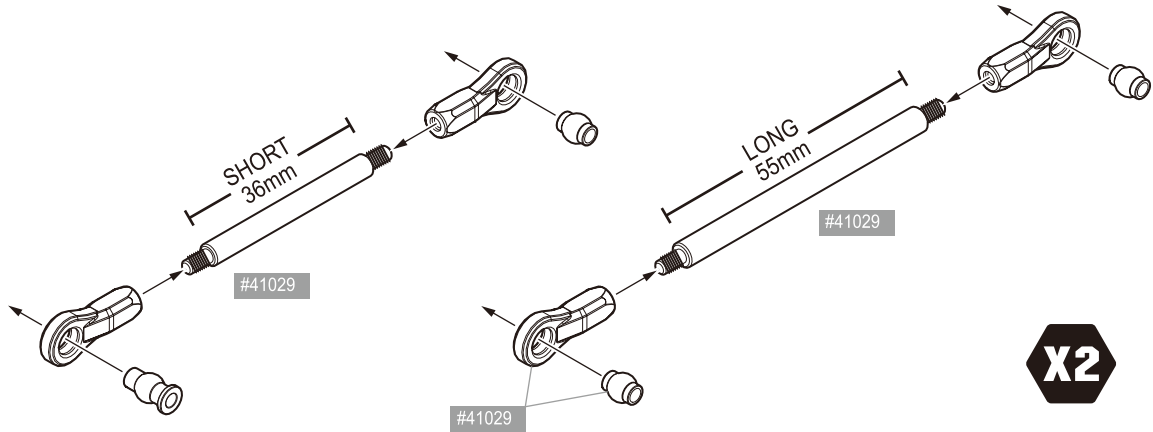
-  M3 x 4mm BHCS (x4) #91158
-  FT Bearings 5 x 10 x 4mm (x2) #91560







**STEP 6** :: Shock Assembly 避震器組

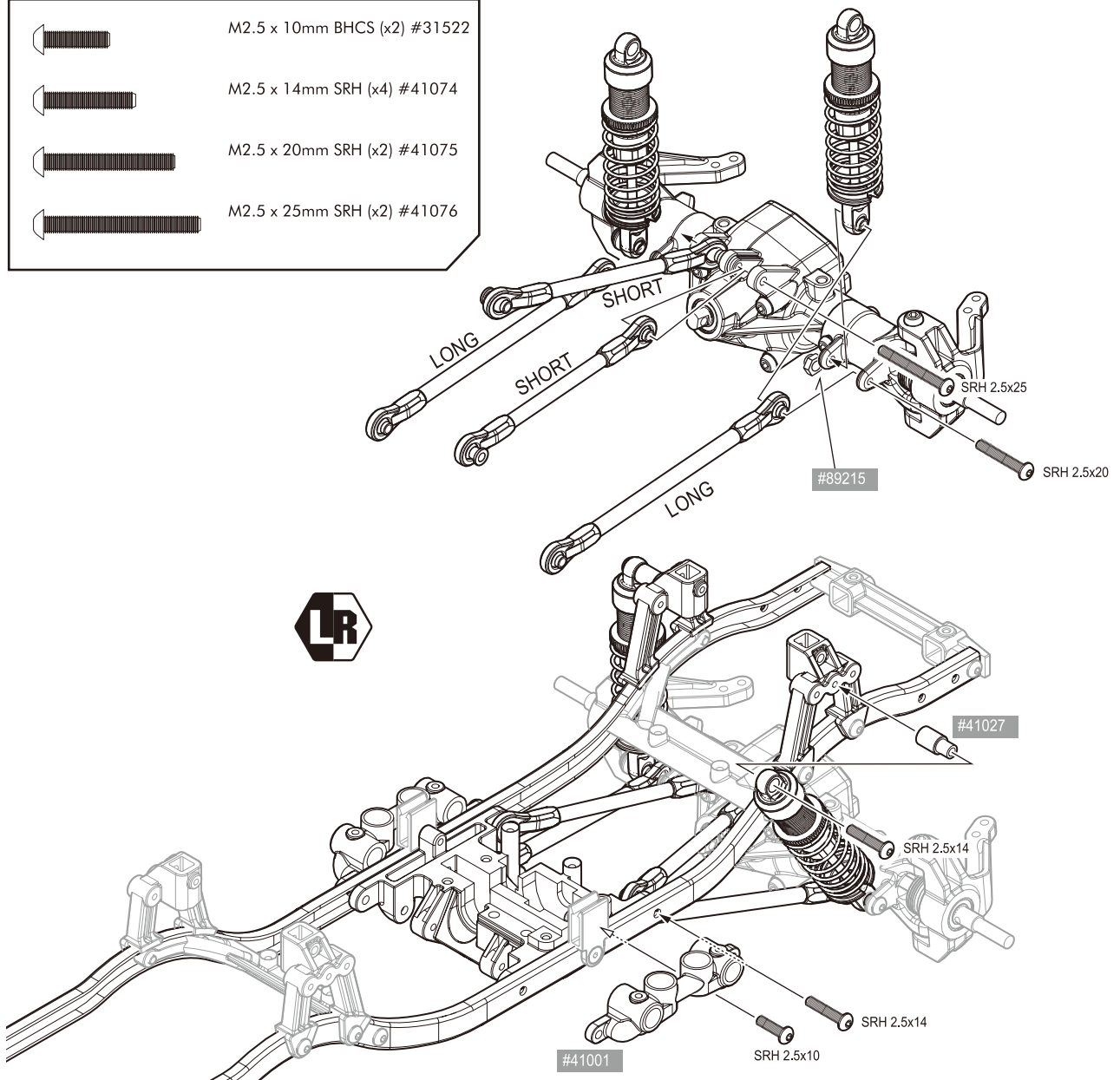


**STEP 7** :: Front Adjustable Links 前可調連桿

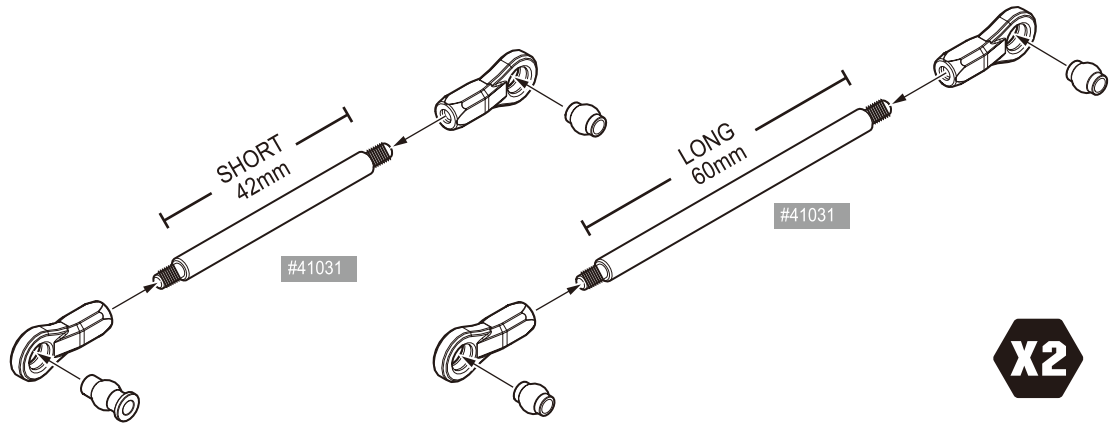


**STEP 8** :: Front Suspension 前懸吊組





-  M2.5 x 10mm BHCS (x2) #31522
-  M2.5 x 14mm SRH (x4) #41074
-  M2.5 x 20mm SRH (x2) #41075
-  M2.5 x 25mm SRH (x2) #41076

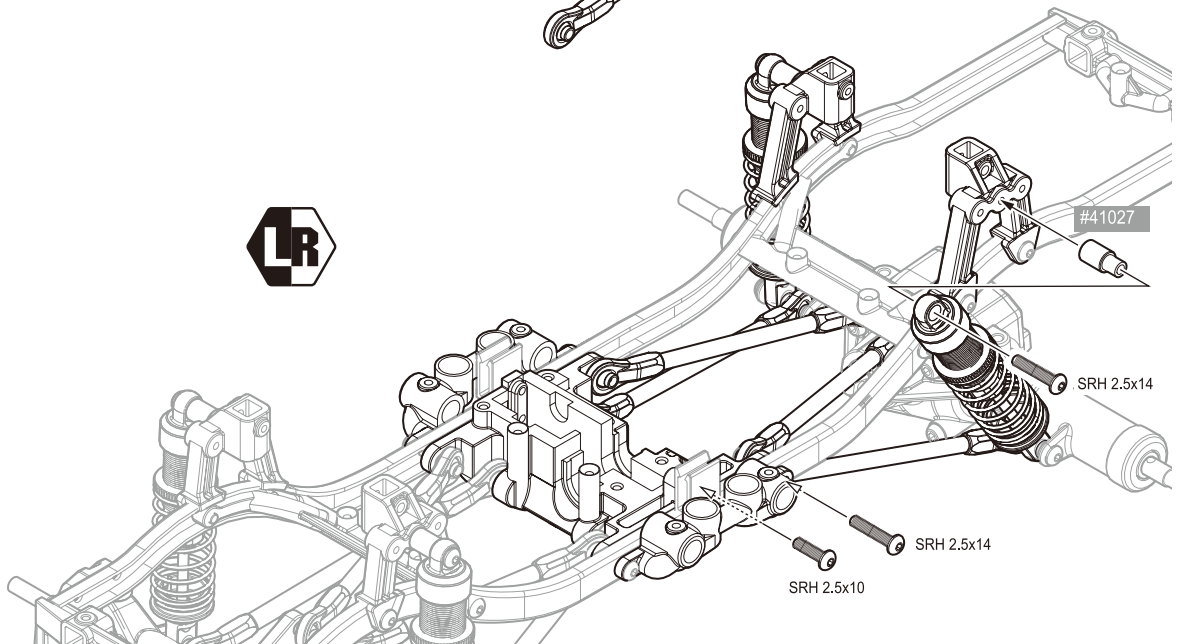
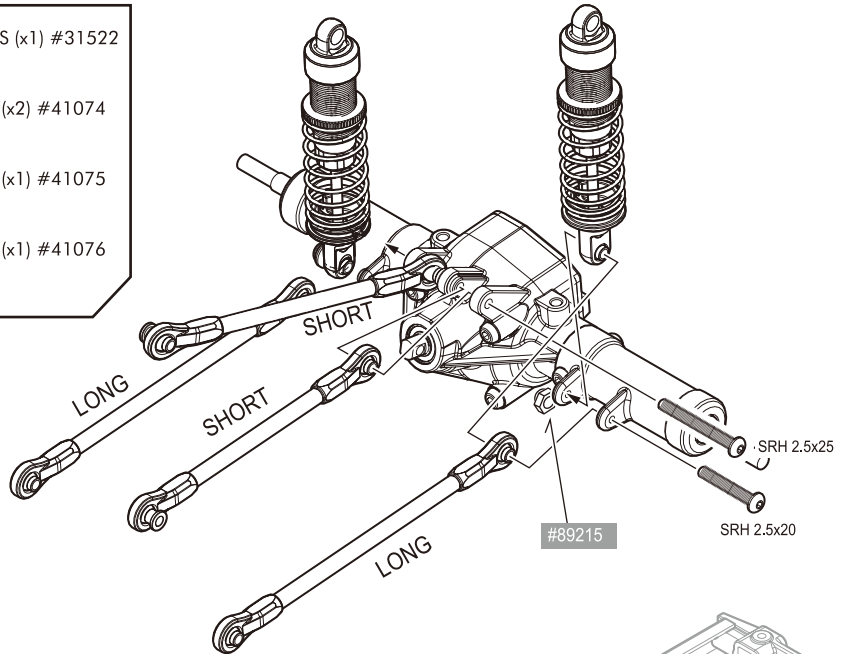


**STEP 9** :: Rear Adjustable Links 後可調連桿

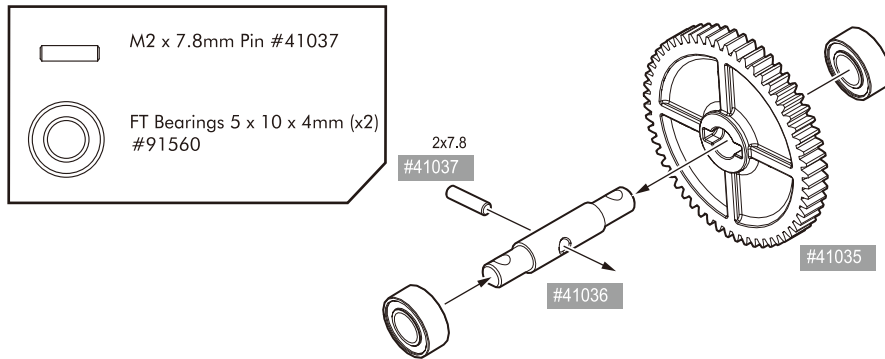
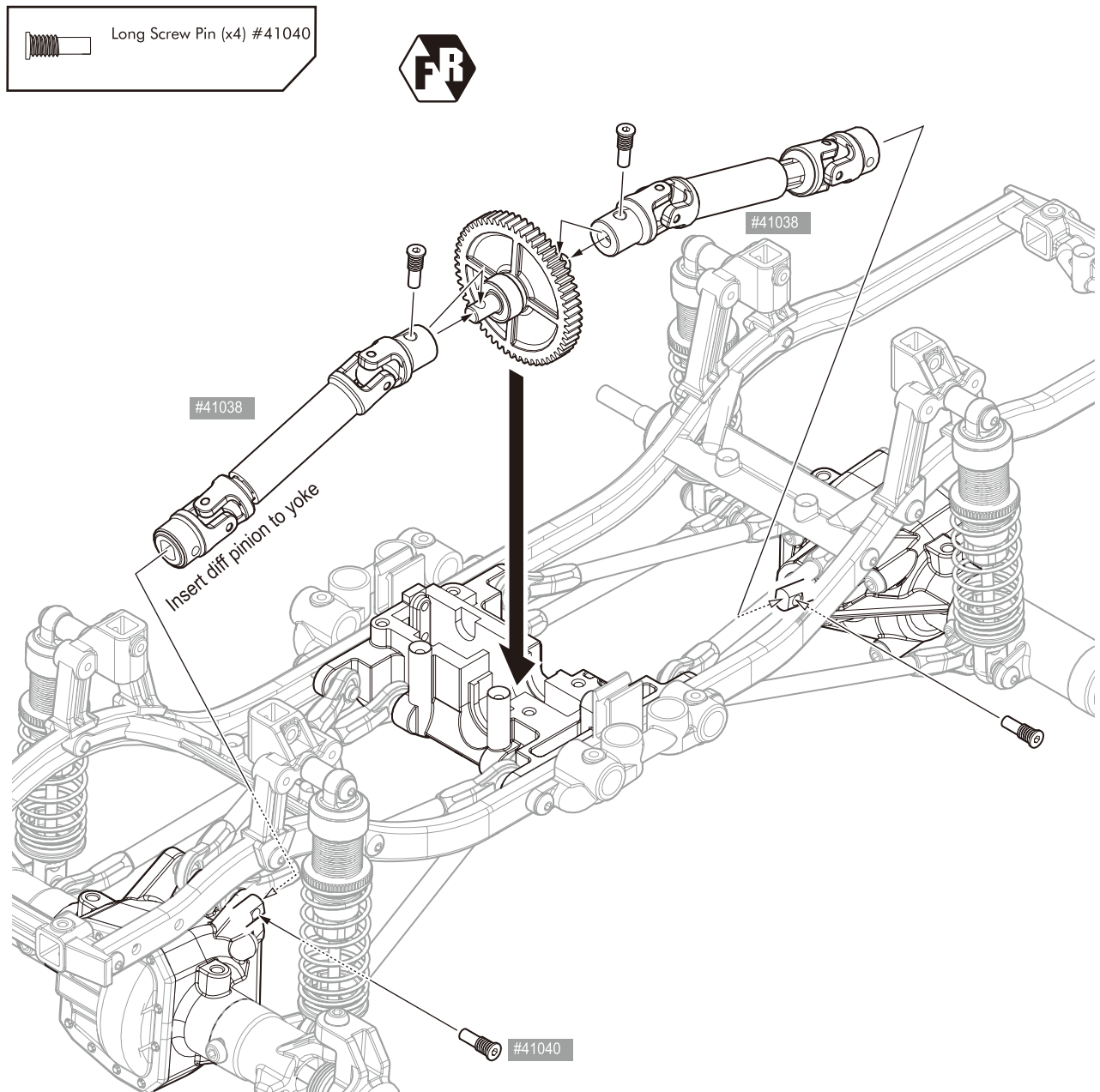


**STEP 10** :: Rear Suspension 後懸吊組

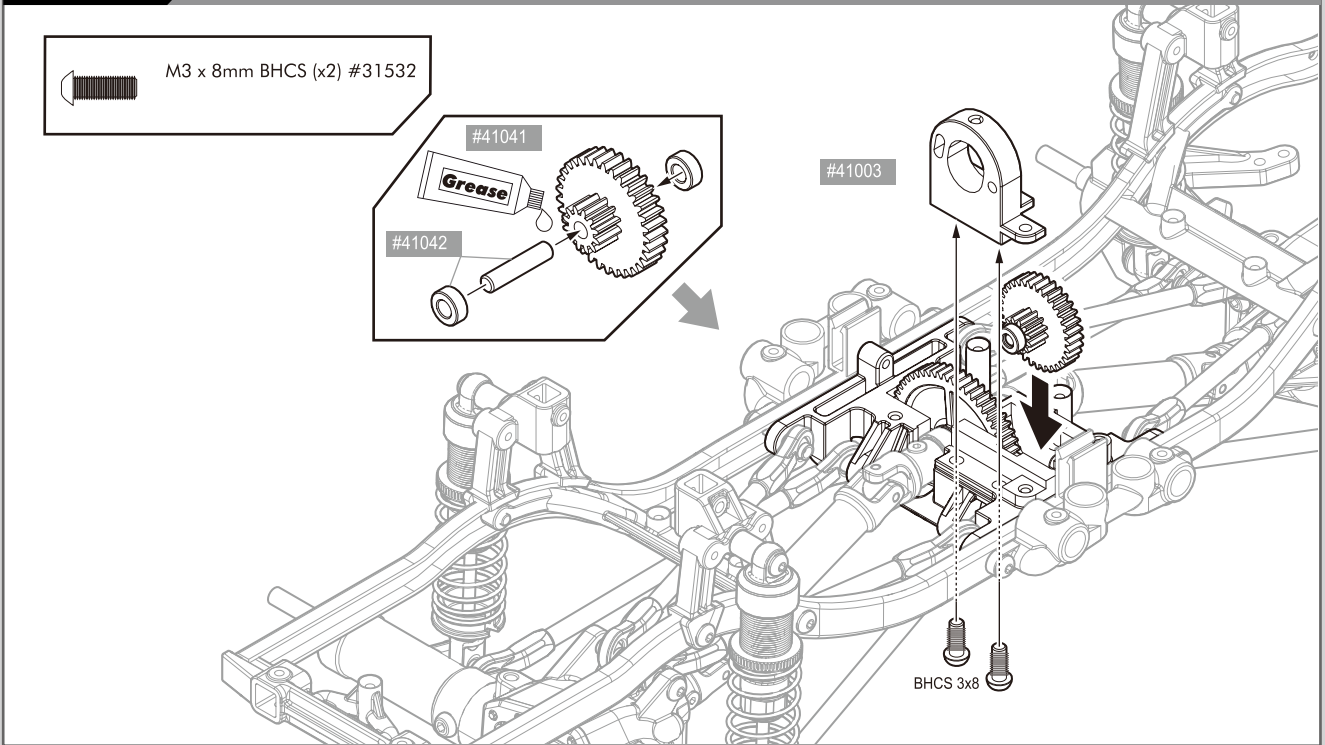
- |   |                              |
|---|------------------------------|
|    | M2.5 x 10mm SHCS (x1) #31522 |
|    | M2.5 x 14mm SRH (x2) #41074  |
|    | M2.5 x 18mm SRH (x1) #41075  |
|  | M2.5 x 25mm SRH (x1) #41076  |



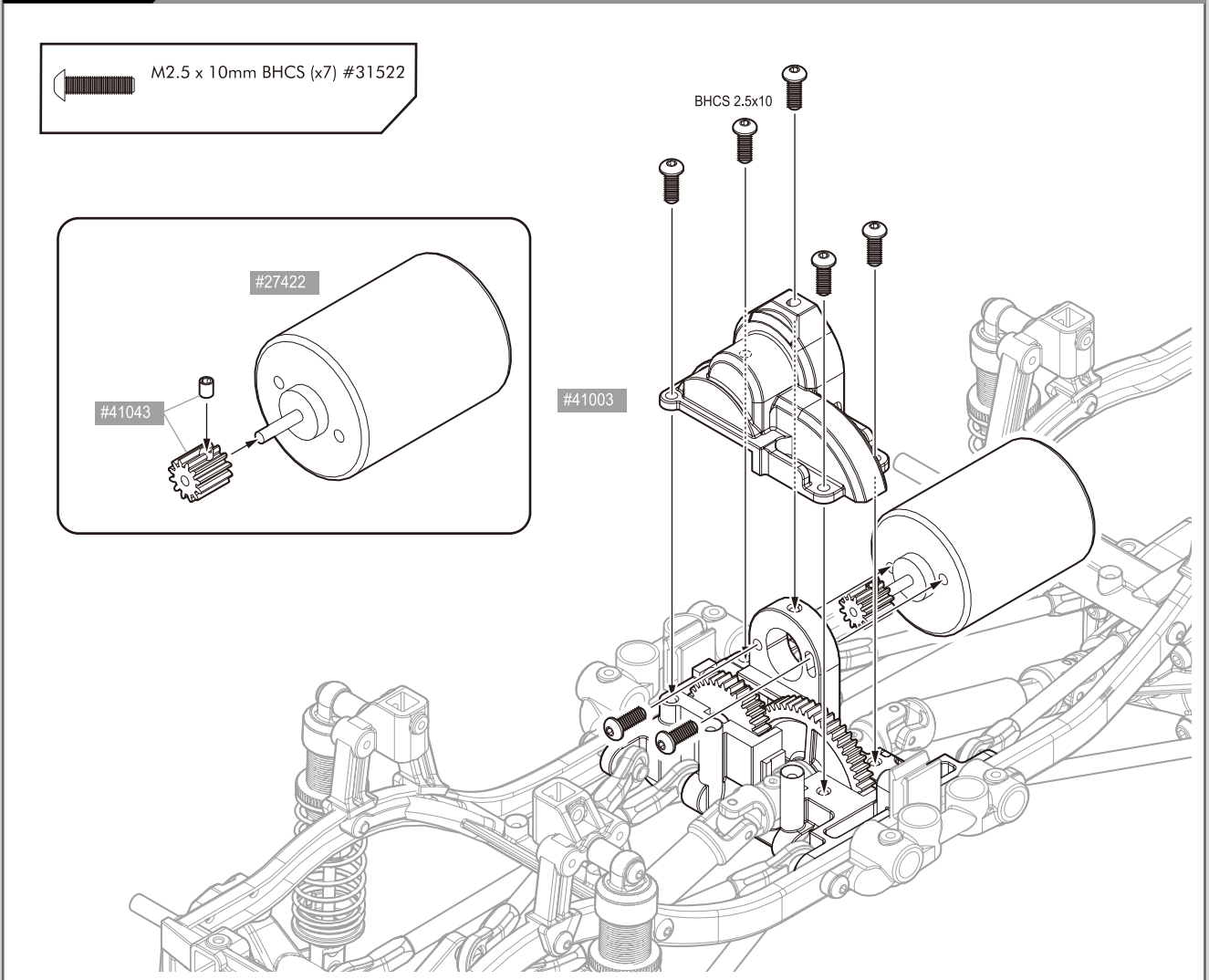


**STEP 11** :: Center Gear 中央齒輪

**STEP 12** :: Center Drive Shaft 中央傳動軸


**STEP 13** :: Center Gear Case 中央齒輪箱



**STEP 14** :: Motor 馬達組



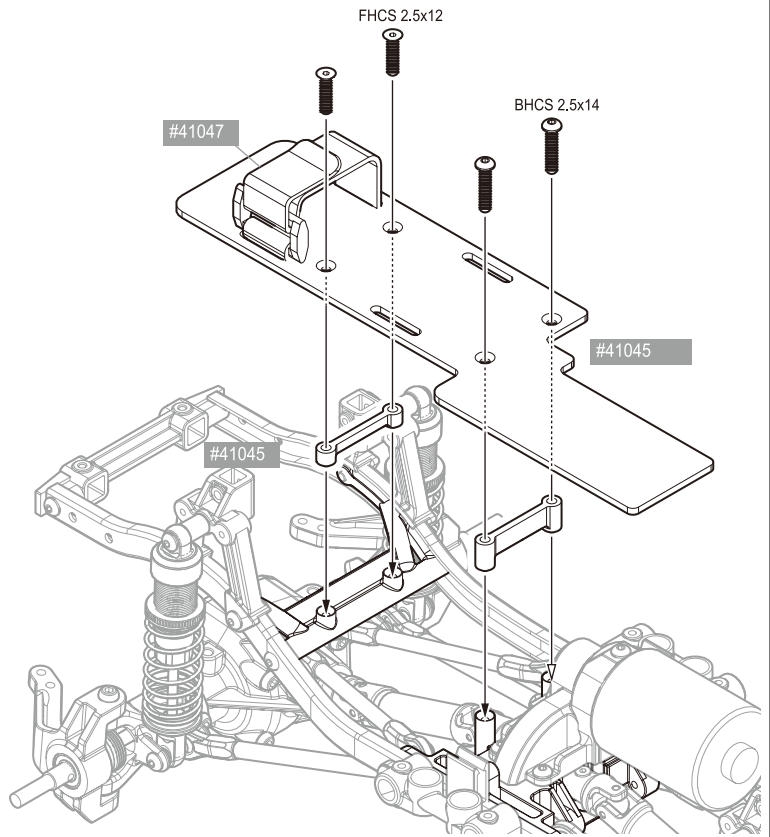
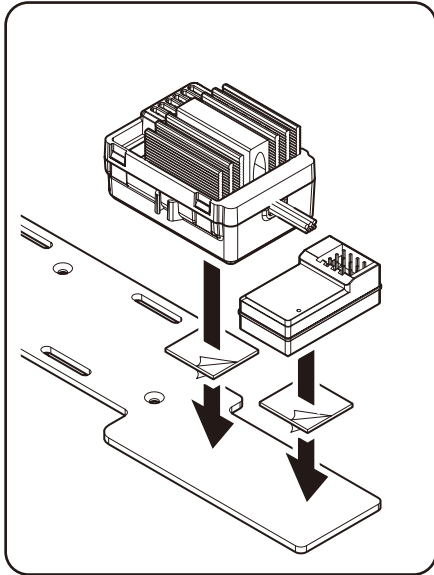
**STEP 15** :: Battery Plate 電池板



M2.5 x 12mm FHCS (x2) #41077



M2.5 x 14mm BHCS (x2) #41074



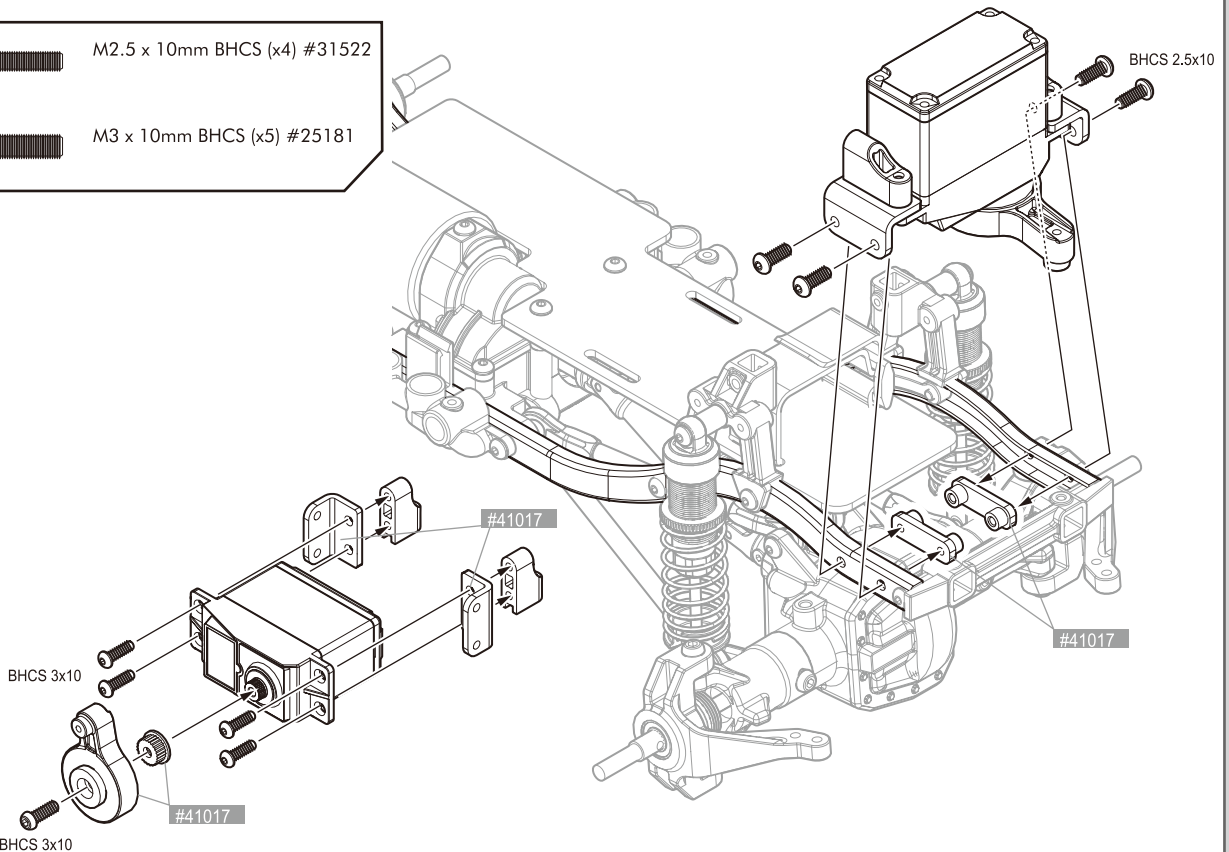
**STEP 16** :: Servo Set 伺服機組





M2.5 x 10mm BHCS (x4) #31522

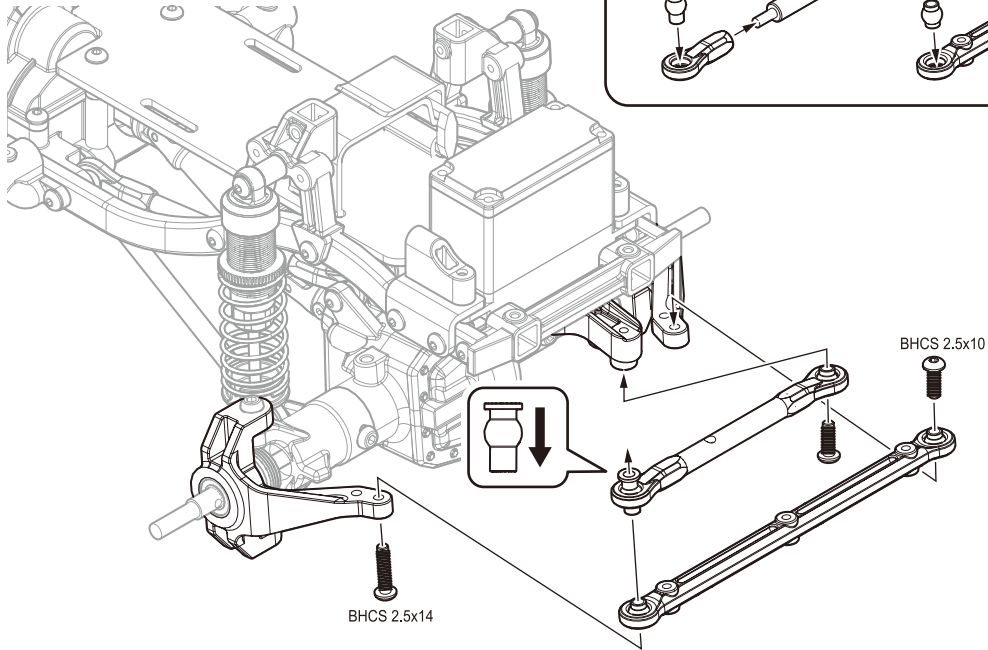
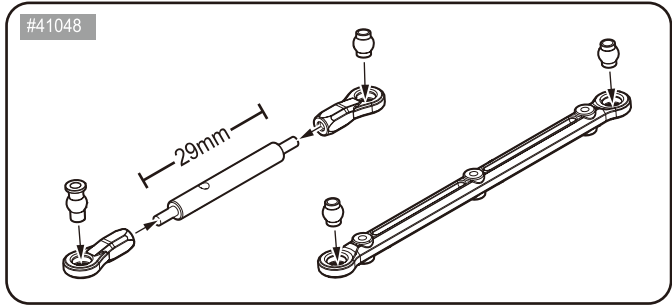


M3 x 10mm BHCS (x5) #25181




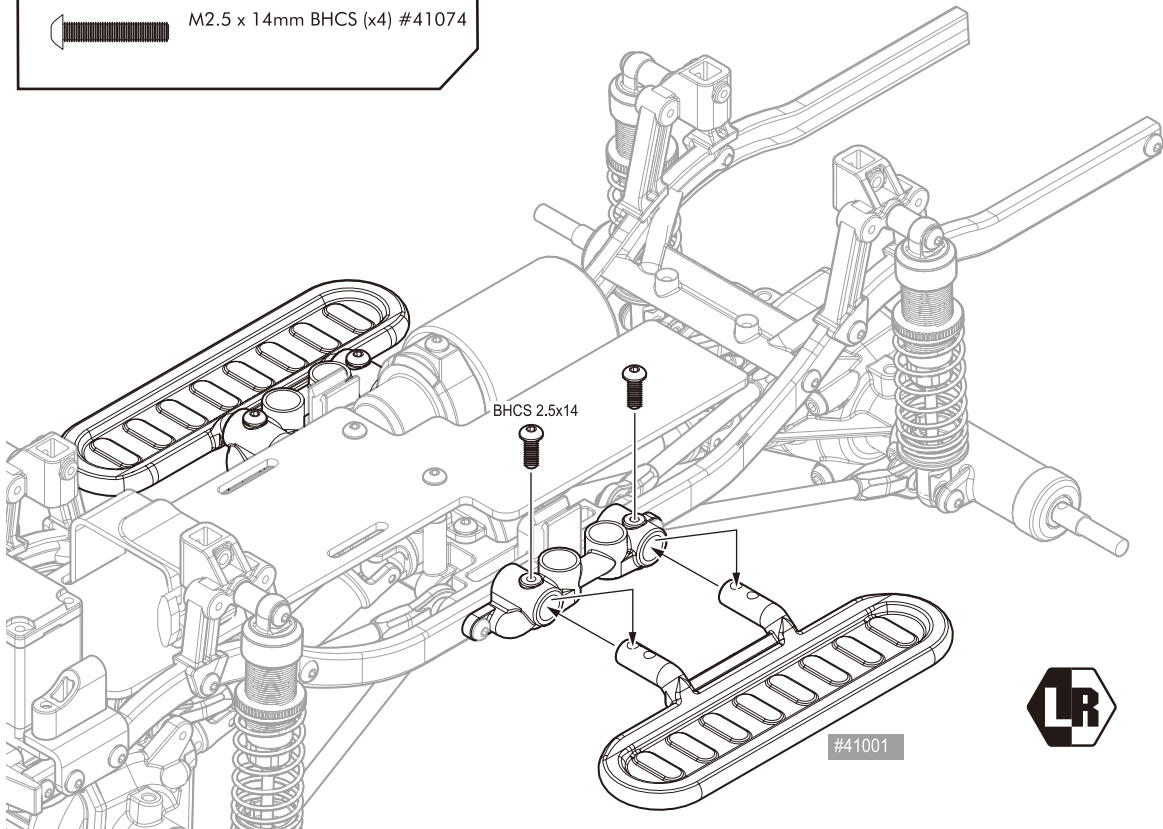
**STEP 17** :: *Steering Turnbuckle* 轉向拉桿

-  M2.5 x 10mm BHCS (x2) #31522
-  M2.5 x 14mm BHCS (x1) #41074




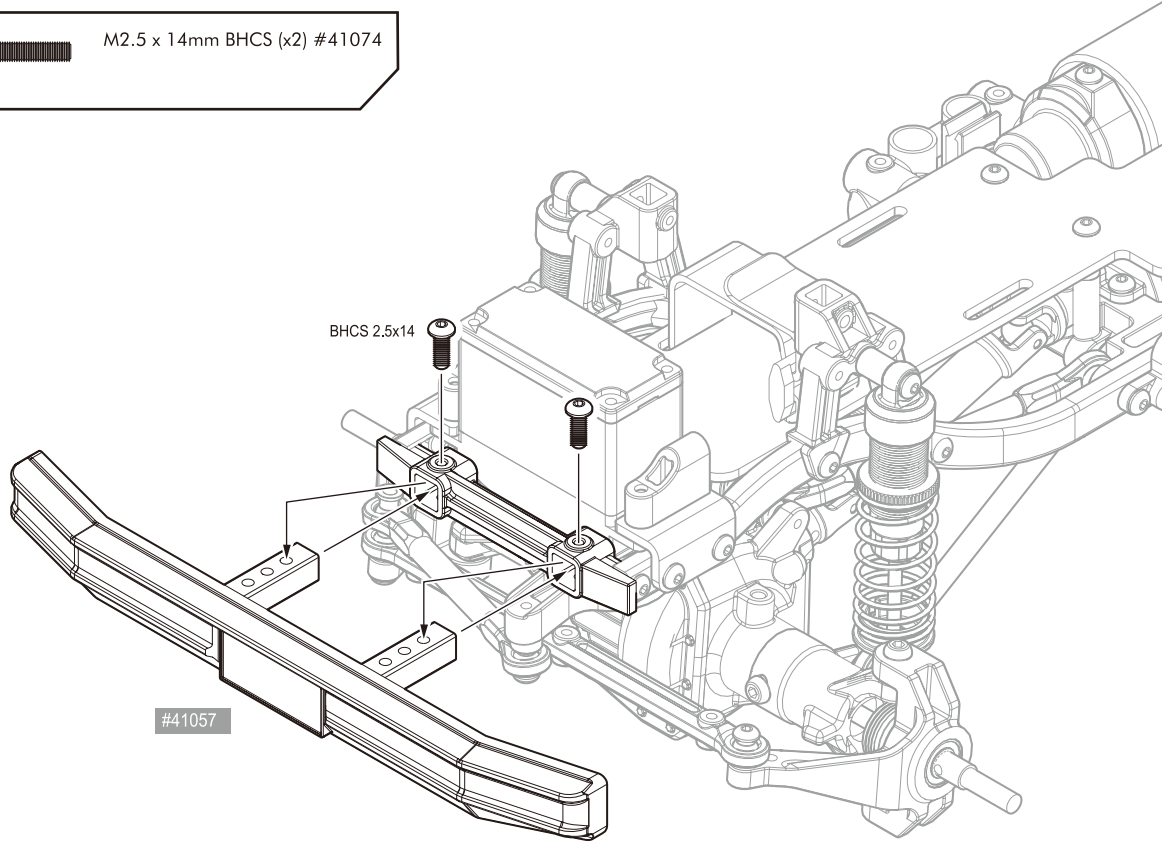
**STEP 18** :: *Side Guard* 側板

-  M2.5 x 14mm BHCS (x4) #41074




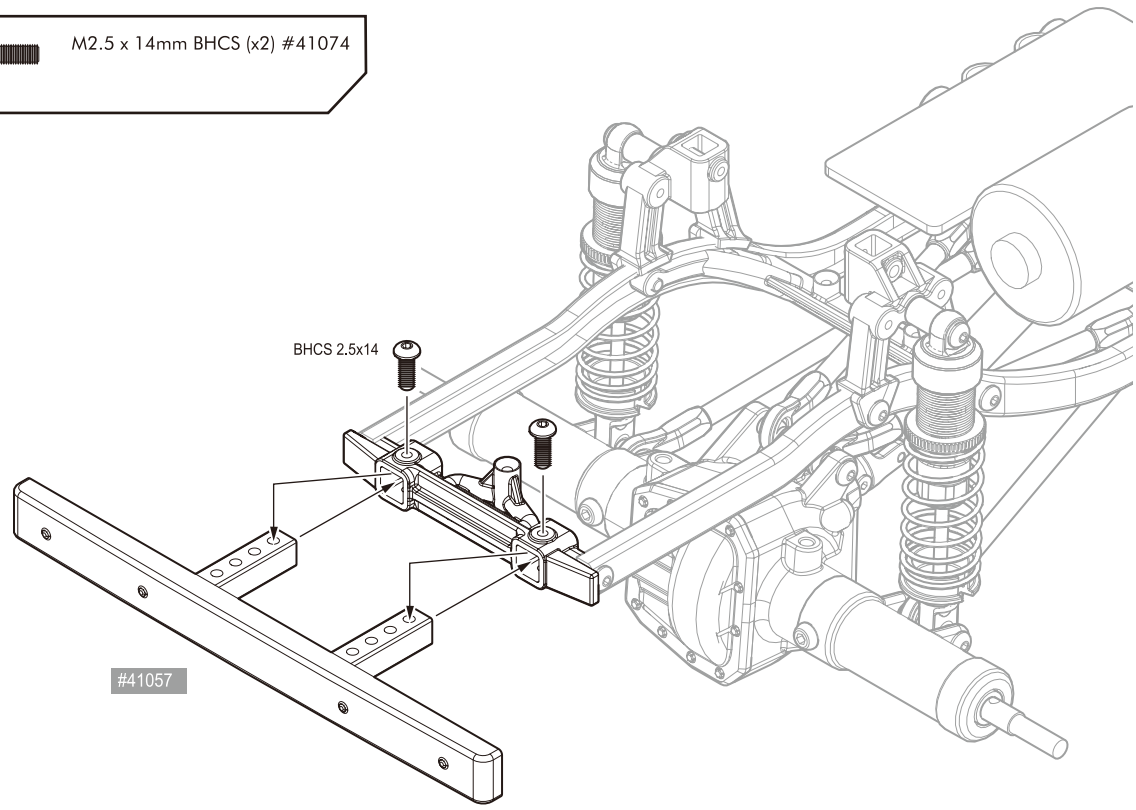
**STEP 19** :: *Front Bumper* 前防撞板

 M2.5 x 14mm BHCS (x2) #41074




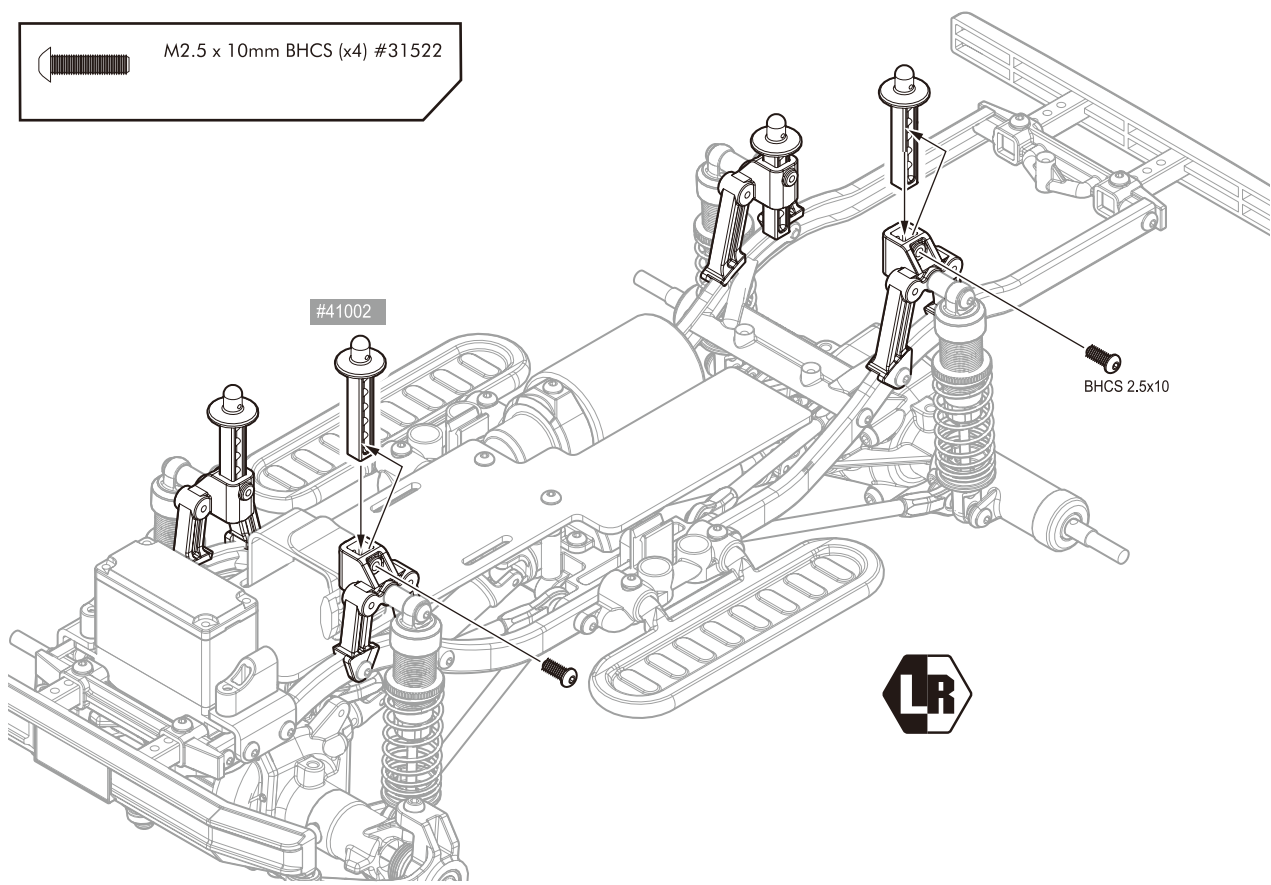
**STEP 20** :: *Rear Bumper* 後防撞板

 M2.5 x 14mm BHCS (x2) #41074




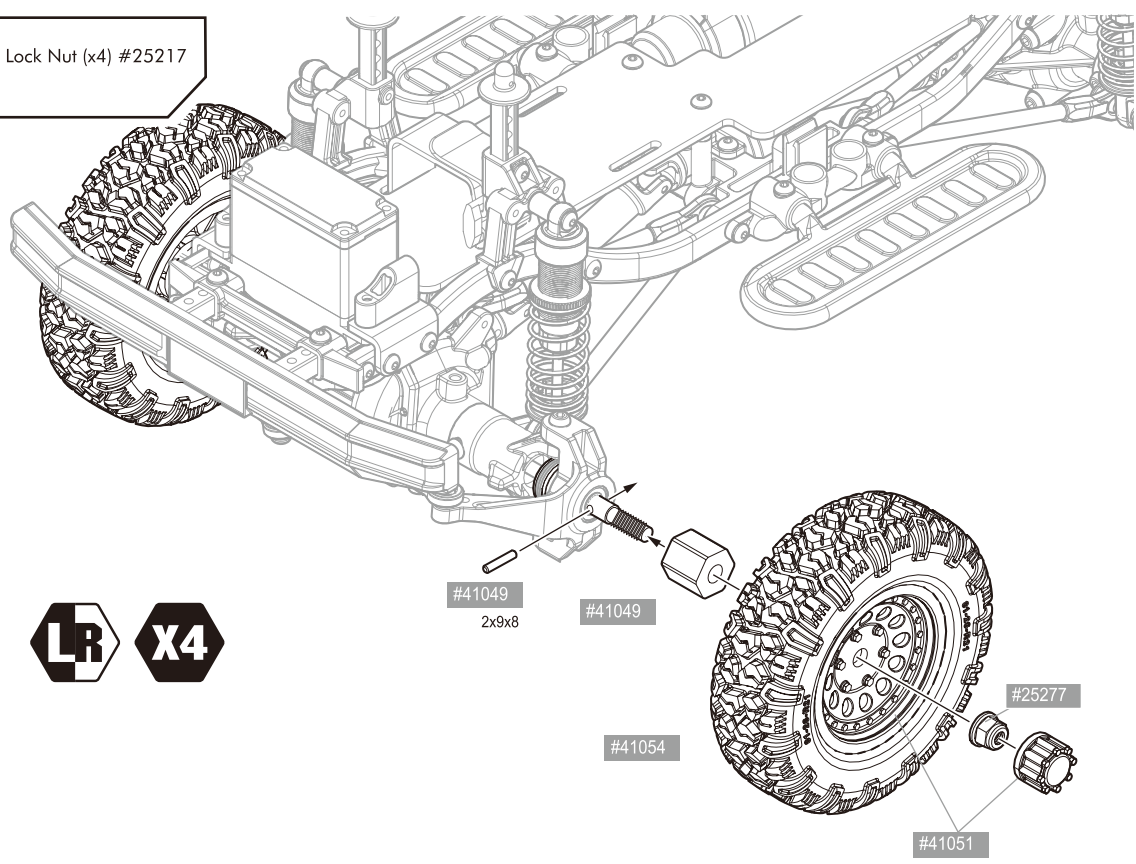
**STEP 21** :: Front/Rear Body Posts 前/後車殼柱

 M2.5 x 10mm BHCS (x4) #31522






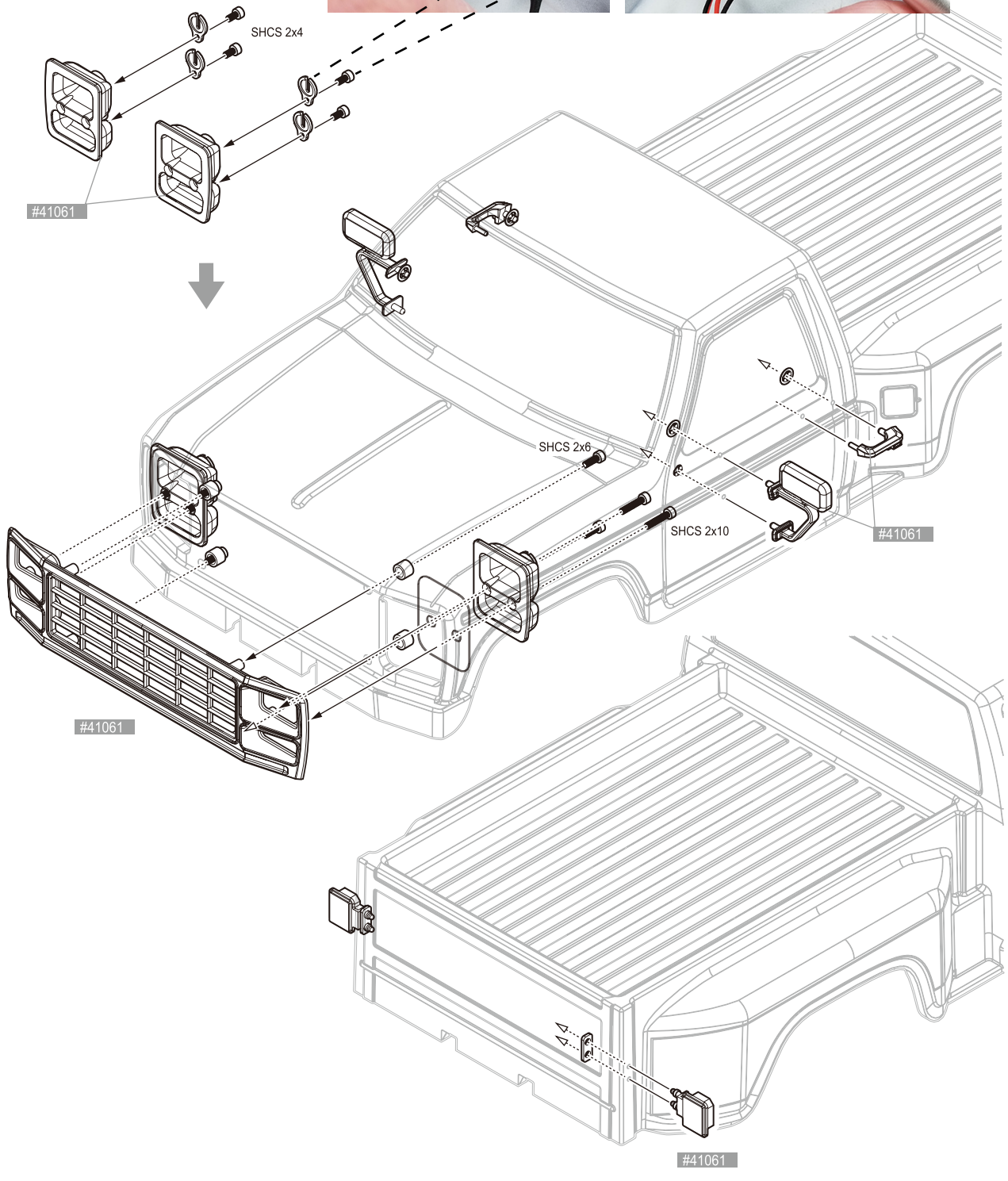
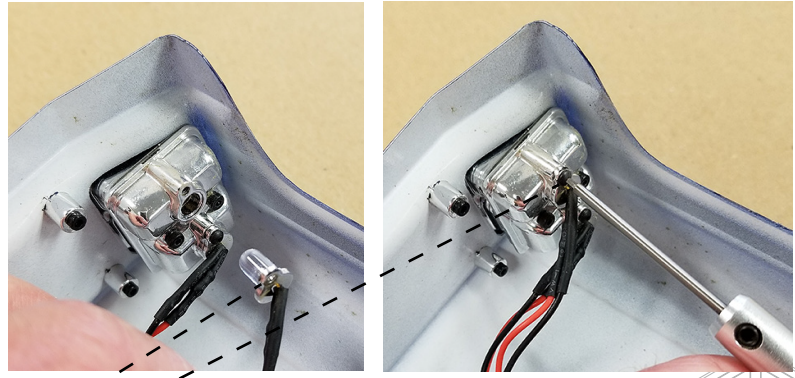
**STEP 22** :: Tires & Wheels 輪胎與輪框

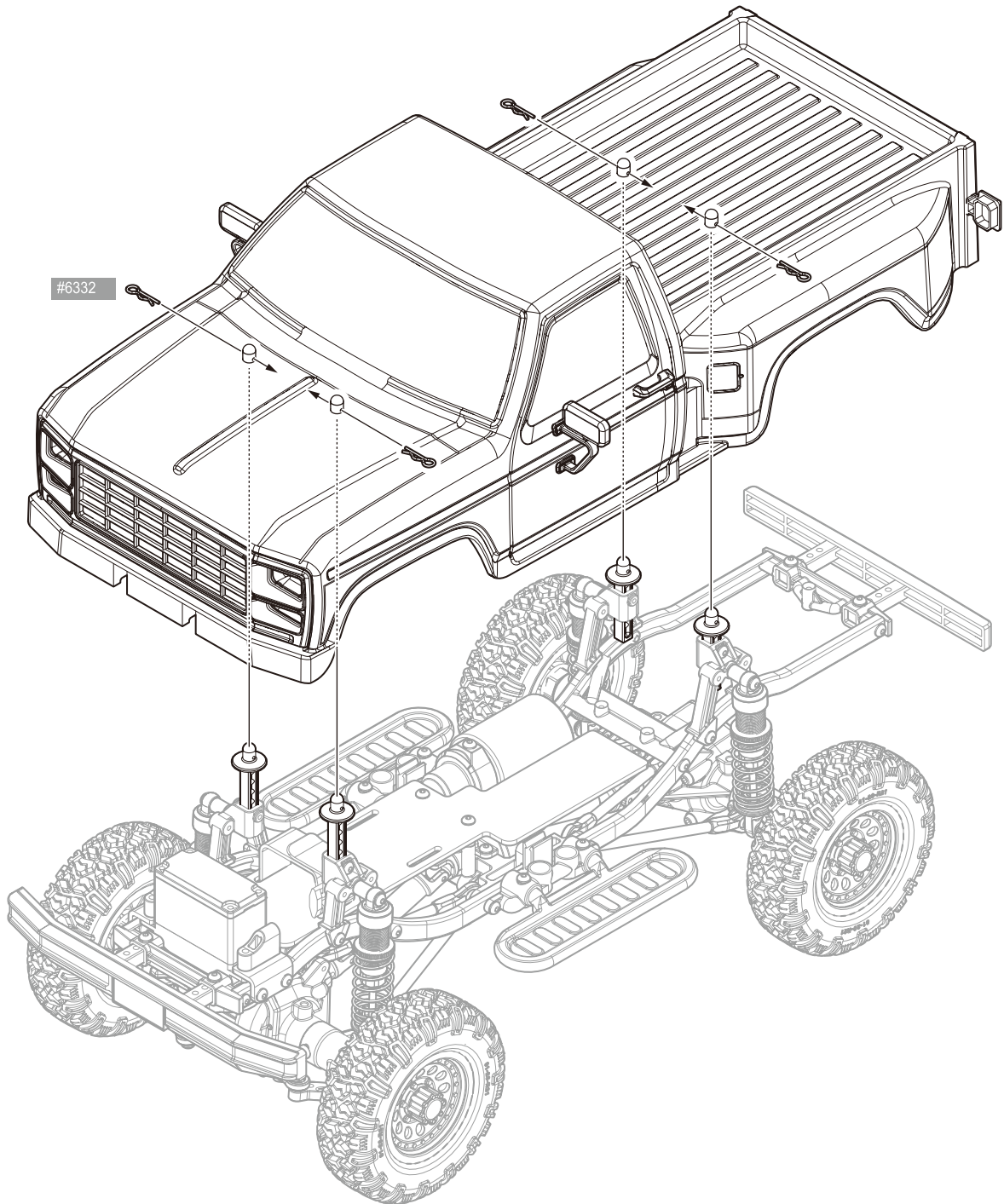
 M4 Lock Nut (x4) #25217



**STEP 23** :: LED Light Bar Set 車殼燈架組

-  M2 x 4mm SHCS (x4) #41070
-  M2 x 6mm SHCS (x2) #7186
-  M2 x 10mm SHCS (x4) #41072







## :: Battery Charging and Installation

### Battery Charging Steps and Safety:

Remove the battery from the vehicle before charging.  
Place battery on a fire resistant surface.  
Avoid any contact with water or other liquids.  
Be sure to select the correct charging mode for the type of battery you are charging.

**ALWAYS** use a compatible charger for charging your batteries.

**Caution:** Never leave the battery unattended while charging. Always disconnect the charger from the power source when finished charging.

**Caution:** Always disconnect the battery when you are finished driving the vehicle.



**Peak Detection  
Quick Charger**

### Battery Installation:

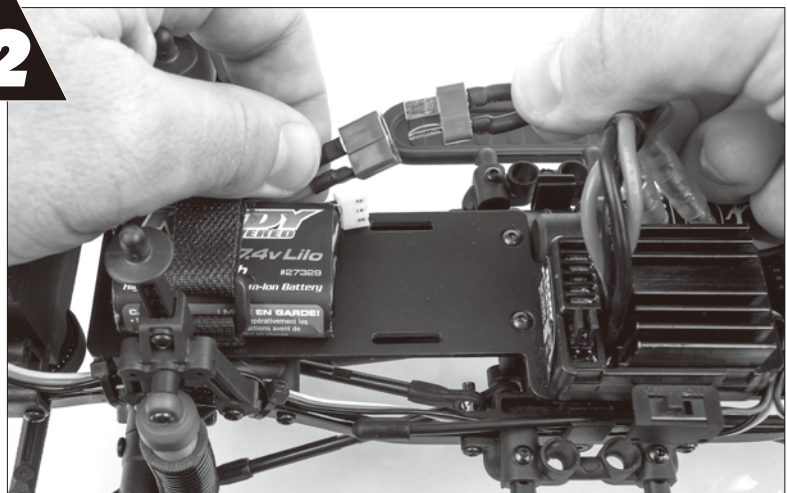
Install the battery with the battery wires directed towards the speed control and strap until battery is snug.

**1**



Connect the power plug from the battery to the receiving plug of the speed control.

**2**



<b>Part #</b>	<b>Description</b>	<b>Part #</b>	<b>Description</b>
1518	<b>FT Hex Driver Tool Set, 3pc.</b>	41015	<b>CR12 Rear Drive Axles</b>
1596	<b>FT Locking Adhesive</b>	41016	<b>CR12 Steering Blocks</b>
1597	<b>Factory Team Tire Adhesive, medium viscosity</b>	41017	<b>CR12 Servo Saver and Servo Mounts</b>
1737	<b>FT Body Scissors</b>	41018	<b>CR12 Steering Block Screws</b>
25181	<b>Screws, M3x10 mm BHPS</b>	41019	<b>CR12 Shock Set, plastic parts</b>
25188	<b>Screws, M3x20 mm BHSS</b>	41021	<b>CR12 Shock Shafts</b>
25217	<b>Locknuts, M4 with flange</b>	41022	<b>CR12 Shock Rod Ends</b>
25237	<b>Bearings, 5x10x4 mm</b>	41023	<b>CR12 Shock Pistons, 2 holes</b>
25616	<b>Bearings, 10x15x4 mm</b>	41024	<b>CR12 Shock Rebuild Kit</b>
27101	<b>RT1508 Digital HV Hi-Torque Competition Servo</b>	41025	<b>CR12 Shock Springs, 0.8 mm</b>
27200	<b>Reedy 1216-C2 Dual AC/DC Competition Balance Charger</b>	41027	<b>CR12 Shock Cap Bushings</b>
27231	<b>Reedy USB Li-Ion Balance Charger</b>	41029	<b>CR12 Front Upper and Lower Links Set</b>
27329	<b>Reedy 850mAh 7.4V Li-Ion Battery</b>	41031	<b>CR12 Rear Upper and Lower Links Set</b>
27422	<b>CR380 Brushed Crawler Motor</b>	41033	<b>CR12 Pivot Balls, 5.0mm, short neck</b>
29198	<b>Reedy SC400 Brushed ESC w/Crawler Mode</b>	41034	<b>CR12 Pivot Balls, 5.0mm, long neck</b>
29203	<b>AE XP120 2.4GHz Radio System</b>	41035	<b>CR12 Main Drive Gear</b>
29204	<b>AE XP-R4 2.4GHz 4CH Receiver</b>	41036	<b>CR12 Main Drive Gear Shaft</b>
31350	<b>Screws, M2.5x10 mm FHCS</b>	41037	<b>CR12 Main Drive Gear Shaft Pin</b>
31521	<b>Screws, M2.5 x 8 BHCS</b>	41038	<b>CR12 Center Drive Shaft Set</b>
31522	<b>Screws, M2.5x10 mm BHCS</b>	41040	<b>CR12 Drive Shaft Set Screws</b>
31532	<b>Screws, M3x0.5x8 mm BHCS</b>	41041	<b>CR12 Step Gear</b>
31541	<b>Screws, M3x6 mm FHCS</b>	41042	<b>CR12 Step Gear Shaft and Bushings</b>
41000	<b>CR12 C-Channel Frame Rails</b>	41043	<b>CR12 Pinion Gear, 11T</b>
41001	<b>CR12 Shock Towers and Bumper Mounts</b>	41044	<b>CR12 Pinion Gear, 12T</b>
41002	<b>CR12 Body Posts</b>	41045	<b>CR12 Electronics Tray, metal</b>
41003	<b>CR12 Gearbox and Motor Mount</b>	41047	<b>CR12 Battery Straps</b>
41004	<b>CR12 Front Axle Housing and Hubs</b>	41048	<b>CR12 Steering Turnbuckle Set</b>
41005	<b>CR12 Rear Axle Housing and Hubs</b>	41049	<b>CR12 Wheel Hexes and Pins Set</b>
41007	<b>CR12 Input Pinion Gear</b>	41051	<b>CR12 Wheel Set, chrome</b>
41008	<b>CR12 Input Pinion Gear Shaft</b>	41052	<b>CR12 Wheel Set, Black</b>
41009	<b>CR12 Differential Ring Gear</b>	41053	<b>CR12 Wheel Set, Satin Silver</b>
41010	<b>CR12 Differential Bevel Gear, metal</b>	41054	<b>CR12 Multi-Terrain Tires</b>
41011	<b>CR12 Differential Set</b>	41056	<b>CR12 Ford F-150 Body, clear</b>
41012	<b>CR12 Front CVA Drive Shafts</b>	41057	<b>CR12 Ford F-150 Bumper Set, chrome</b>
41013	<b>CR12 Front CVA Drive Cups</b>	41058	<b>CR12 Ford F-150 Bumper Set, black</b>
41014	<b>CR12 Front CVA Rebuild</b>	41059	<b>CR12 Ford F-150 Body, blue</b>



# **TEAM ASSOCIATED**

WORLD CHAMPION R / C CARS

**Associated Electrics, Inc.**  
**26021 Commercentre Dr. Lake Forest, CA 92630 USA**

**call: (949) 544-7500 - fax: (949) 544-7501**

**Check out the following web sites for all of our kits,  
current products, new releases, setup help, tips, and racing info!**

**[www.TeamAssociated.com](http://www.TeamAssociated.com) - [www.RC10.com](http://www.RC10.com)**

## **FOLLOW US ON SOCIAL MEDIA**



**TeamAssociated  
ReedyPower**



**@TeamAssociatedRC  
@ReedyPower**



**@Team\_Associated  
@ReedyPower**



**AEFactoryTeam**