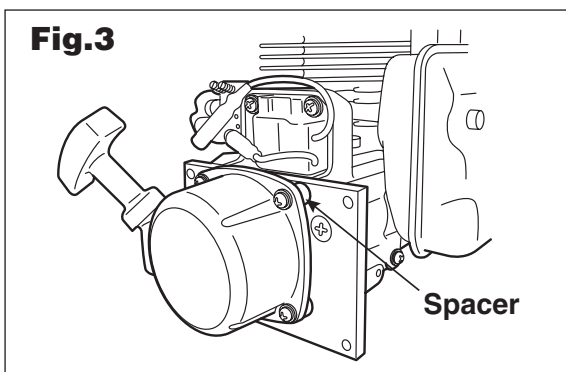
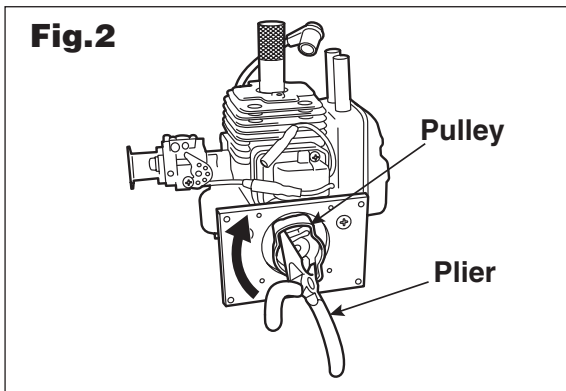
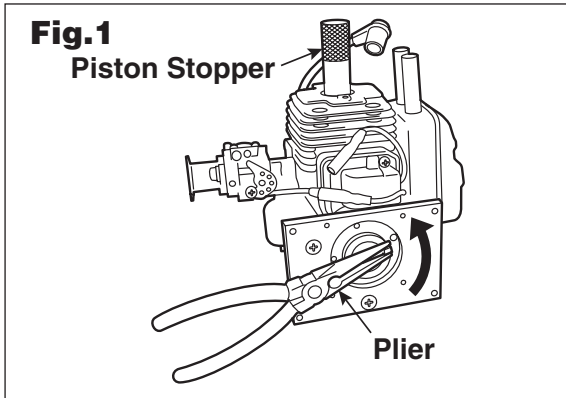


# STARTER KIT (GR26099)

**For**  
**G260PUM/G260PUH**  
**G231PUM/G231PUH**



## 1. How to use

### A) Dismantling of Current Starter Assembly

1. Remove the sparkplug.
2. Remove the recoil from the engine mount.
3. Fit the piston stopper (4810-96220) into sparkplug thread. (see Fig.1)
4. Set a plier etc to pulley (1160-75210) and turn the plier to anticlockwise. (see Fig.1)

### B) Assembling of Starter Kit

1. Screw the pulley (848-ESZ-7520) on the crankshaft by hand.
2. Set a plier etc to pulley and turn the plier to clockwise. (see Fig.2)  
**[Requested tightening torque: 100kg-cm]**
3. Fit the recoil (848-ESZ-7510) inserting spacer (848-8Y4-6100) 4pcs between engine mount and starter assembly. (see Fig.3)  
**[Requested tightening torque: 18kg-cm]**
4. Remove the piston stopper and fix the sparkplug.

## 2. Composition of the starter kit

No.	Part Number	Part Name	External Appearance	Q'ty
1	848-ESZ-7510	Recoil		1
2	848-ESZ-7520	Pulley		1
3	848-8Y4-6100	Spacer		4
4	0260-30420	Screw		4
5	4810-96220	Stopper		1
6	848-ESZ-93A0	Manual		1

### Caution !

This kit is not covered by Komatsu Zenoah warranty policy.